

# LISTA DE APLICACIONES - BUYERS GUIDE

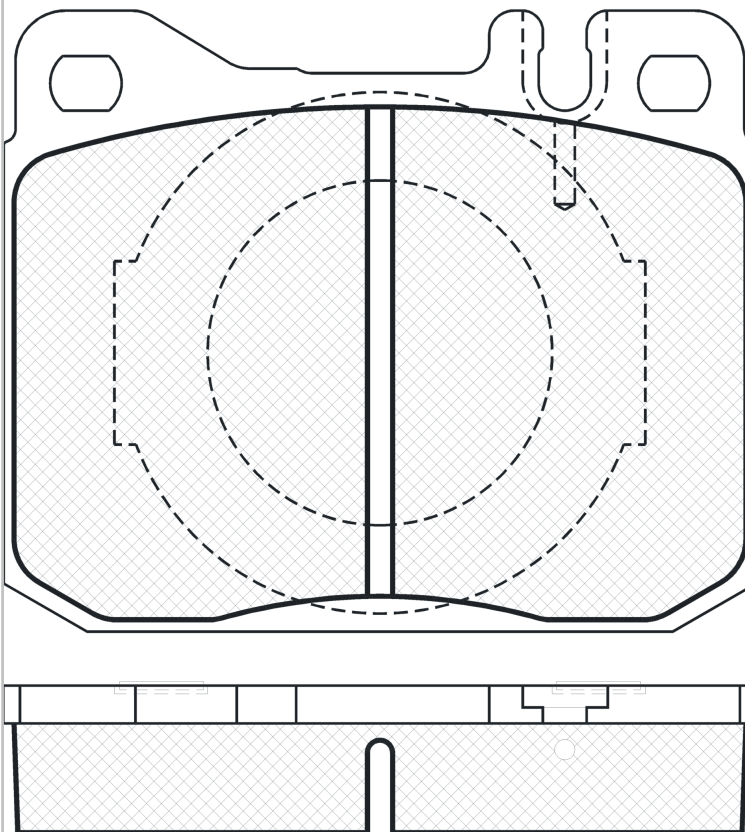
## RB0324



Qty: 300

Weight: 1.480

O.E.M.	MAKE
000 420 59 20	MERCEDES-BENZ
000 420 60 20	MERCEDES-BENZ
000 420 78 20	MERCEDES-BENZ
000 420 94 20	MERCEDES-BENZ
000 420 95 20	MERCEDES-BENZ
000 586 55 42	MERCEDES-BENZ
001 420 05 20	MERCEDES-BENZ
001 420 75 20	MERCEDES-BENZ
001 420 99 20	MERCEDES-BENZ
002 420 07 20	MERCEDES-BENZ
002 420 20 24	MERCEDES-BENZ
002 420 43 20	MERCEDES-BENZ
002 420 46 42	MERCEDES-BENZ
002 586 45 42	MERCEDES-BENZ
002 586 46 42	MERCEDES-BENZ
005 420 45 20	MERCEDES-BENZ



4x

## RB0324



Ate - Teves

89.65x73.95x17.5

<b>WVA</b> 20341	<b>FMSI</b> D145-7111
---------------------	--------------------------

Sin Filas



Trac.	CC	Kw	CV
-------	----	----	----



Front / Rear

### MERCEDES-BENZ

#### 123 (C123) 03.77-12.85

#### Coupé (Executive car-E Segment)

Model	Year	Trac.	CC	Kw	CV	Price	Notes
230 CE (123.243)	(M 102.980)	Gasolina	RWD	2299	100	136 04.80-12.85	*
230 C (123.043)	(M 115.954)	Gasolina	RWD	2307	80	109 05.77-04.80	*
280 C (123.050)	(M 110.923)	Gasolina	RWD	2746	115	156 03.77-03.80	*
280 CE (123.053)	(M 110.988)	Gasolina	RWD	2746	136	185 03.77-11.85	*
300 C Turbo-D (123.153)	(OM 617.952)	Diesel	RWD	2998	92	125 09.81-07.85	*

#### 123 (W123) 01.76-12.85

#### Sedán (Executive car-E Segment)

Model	Year	Trac.	CC	Kw	CV	Price	Notes
200 (123.020)	(M 115.938)	Gasolina	RWD	1988	62	84 02.76-08.80	*
200 (123.020)	(M 115.939)	Gasolina	RWD	1988	62	84 02.76-08.80	*
200 (123.020)	(M 115.938)	Gasolina	RWD	1988	69	94 02.76-08.80	*
200 (123.020)	(M 115.939)	Gasolina	RWD	1988	69	94 02.76-08.80	*
200 (123.220)	(M 102.939)	Gasolina	RWD	1996	74	101 06.80-11.85	*
200 (123.220)	(M 102.920)	Gasolina	RWD	1996	80	109 06.80-11.85	*
230 E (123.223)	(M 102.980)	Gasolina	RWD	2299	100	136 04.80-12.85	*
230 (123.023)	(M 115.954)	Gasolina	RWD	2307	80	109 02.76-03.81	*
250 (123.026)	(M 123.921)	Gasolina	RWD	2525	103	140 10.79-07.85	*
280 (123.030)	(M 110.923)	Gasolina	RWD	2746	115	156 02.76-08.81	*
280 E (123.033)	(M 110.988)	Gasolina	RWD	2746	130	177 08.76-08.81	*
280 E (123.033)	(M 110.984)	Gasolina	RWD	2746	136	185 02.76-11.85	*
280 E (123.033)	(M 110.988)	Gasolina	RWD	2746	136	185 02.76-11.85	*
200 D (123.120)	(OM 615.940)	Diesel	RWD	1988	44	60 03.79-11.85	*
220 D (123.126)	(OM 615.941)	Diesel	RWD	2197	44	60 01.76-02.79	*
240 D (123.123)	(OM 616.912)	Diesel	RWD	2399	53	72 03.79-11.85	*
300 D (123.130)	(OM 617.912)	Diesel	RWD	2998	59	80 02.76-07.80	*

# LISTA DE APLICACIONES - BUYERS GUIDE

300 D (123.130) (OM 617.912)		Diesel	RWD	2998	65	88	03.79-11.85	*
300 Turbo-D (123.133) (OM 617.952)		Diesel	RWD	2998	92	125	08.81-07.85	*
<b>123 T-Model (S123) 09.77-12.86</b>					<b>[CAMBIADO]:Break (Executive car-E Segment)</b>			
200 T (123.280) (M 102.939)		Gasolina	RWD	1997	74	101	11.80-11.85	*
200 T (123.280) (M 102.920)		Gasolina	RWD	1997	80	109	11.80-11.85	*
230 TE (123.283) (M 102.980)		Gasolina	RWD	2299	100	136	04.80-11.85	*
230 T (123.083) (M 115.954)		Gasolina	RWD	2307	80	109	09.77-03.80	*
250 T (123.086) (M 123.921)		Gasolina	RWD	2525	103	140	05.78-08.82	*
280 TE (123.093) (M 110.988)		Gasolina	RWD	2746	136	185	09.77-11.85	*
240 T D (123.183) (OM 616.912)		Diesel	RWD	2399	53	72	03.79-12.85	*
300 T D (123.190) (OM 617.912)		Diesel	RWD	2998	59	80	09.77-10.85	*
300 T D (123.190) (OM 617.912)		Diesel	RWD	2998	65	88	03.79-11.85	*
300 T Turbo-D (123.193) (OM 617.952)		Diesel	RWD	2998	92	125	10.80-11.85	*
<b>MB65 01.73-</b>					<b>[CAMBIADO]:Furgón (LCVs-N1 Segment)</b>			
65		Diesel	RWD		53	72	01.73-	*
<b>MB700 01.73-</b>					<b>[CAMBIADO]:Furgón (LCVs-N1 Segment)</b>			
700 Turbo		Diesel	RWD		48	65	01.73-	*
<b>MB800 01.82-</b>					<b>[CAMBIADO]:Furgón (LCVs-N1 Segment)</b>			
800		Diesel	RWD		53	72	01.82-	*
<b>S-Class II (C126) 08.80-06.91</b>					<b>Coupé (Luxury car-F Segment)</b>			
420 SEC (126.046) (M 116.965)		Gasolina	RWD	4196	150	204	10.85-06.91	*
420 SEC (126.046) (M 116.965)		Gasolina	RWD	4196	160	218	10.85-12.87	*
420 SEC (126.046) (M 116.965)		Gasolina	RWD	4196	165	224	10.85-06.91	*
420 SEC (126.046) (M 116.965)		Gasolina	RWD	4196	170	231	09.86-06.91	*
500 SEC (126.044) (M 117.965)		Gasolina	RWD	4973	164	223	10.85-06.91	*
500 SEC (126.044) (M 117.965)		Gasolina	RWD	4973	180	245	09.85-06.91	*
500 SEC (126.044) (M 117.965)		Gasolina	RWD	4973	185	252	08.87-06.91	*
500 SEC Cat (126.044) (M 117.965)		Gasolina	RWD	4973	185	252	06.89-06.91	*
500 SEC (126.044) (M 117.965)		Gasolina	RWD	4973	195	265	09.85-06.91	*
560 SEC (126.045) (M 117.968)		Gasolina	RWD	5547	178	242	10.85-06.91	*
560 SEC (126.045) (M 117.968)		Gasolina	RWD	5547	200	272	10.85-12.87	*
560 SEC (126.045) (M 117.968)		Gasolina	RWD	5547	205	279	10.85-06.91	*
560 SEC (126.045) (M 117.968)		Gasolina	RWD	5547	220	300	10.85-12.89	*
<b>S-Class II (W126) 10.79-06.91</b>					<b>Sedán (Luxury car-F Segment)</b>			
260 SE (126.020) (M 103.941)		Gasolina	RWD	2599	118	160	09.85-06.91	*
260 SE (126.020) (M 103.941)		Gasolina	RWD	2599	122	166	09.85-06.91	*
280 S (126.021) (M 110.924)		Gasolina	RWD	2746	115	156	12.79-07.85	*
280 S (126.021) (M 110.926)		Gasolina	RWD	2746	115	156	12.79-07.85	*
280 SE, SEL (126.022, 126.023) (M 110.987)		Gasolina	RWD	2746	136	185	10.79-07.85	*
280 SE, SEL (126.022, 126.023) (M 110.989)		Gasolina	RWD	2746	136	185	10.79-07.85	*
300 SE, SEL (126.024, 126.025) (M 103.981)		Gasolina	RWD	2960	132	180	01.86-06.91	*
300 SE, SEL (126.024, 126.025) (M 103.981)		Gasolina	RWD	2960	138	188	09.85-12.89	*
3.8 (126.035, 126.034) (M 116.961)		Gasolina	RWD	3818	160	218	08.80-08.84	*
380 SE, SEL (126.032, 126.033) (M 116.961)		Gasolina	RWD	3818	160	218	09.80-10.81	*
380 SE,SEL (126.032) (M 116.963)		Gasolina	RWD	3839	150	204	10.81-08.85	*
420 SE, SEL (126.034, 126.035) (M 116.965)		Gasolina	RWD	4196	150	204	10.85-06.91	*
420 SE, SEL (126.034) (M 116.965)		Gasolina	RWD	4196	160	218	10.85-12.87	*
420 SE, SEL (126.035, 126.034) (M 116.965)		Gasolina	RWD	4196	165	224	10.85-06.91	*

# LISTA DE APLICACIONES - BUYERS GUIDE

420 SE, SEL (126.035, 126.034) (M 116.965)	Gasolina	RWD	4196	170	231	10.85-12.87	*	
500 SE, SEL (126.036) (M 117.965)	Gasolina	RWD	4973	164	223	09.85-06.91	*	
500 SE, SEL (126.036) (M 117.961)	Gasolina	RWD	4973	170	231	12.79-08.85	*	
500 SE, SEL (126.036) (M 117.963)	Gasolina	RWD	4973	170	231	12.79-08.85	*	
500 SE, SEL (126.036) (M 117.961)	Gasolina	RWD	4973	177	241	12.79-08.85	*	
500 SE, SEL (126.036) (M 117.963)	Gasolina	RWD	4973	177	241	12.79-08.85	*	
500 SE, SEL (126.036) (M 117.965)	Gasolina	RWD	4973	180	245	09.85-06.91	*	
500 SE, SEL (126.037, 126.036) (M 117.965)	Gasolina	RWD	4973	185	252	09.87-06.91	*	
500 SE, SEL Cat (126.037, 126.036) (M 117.965)	Gasolina	RWD	4973	185	252	06.89-06.91	*	
500 SE, SEL (126.037, 126.036) (M 117.965)	Gasolina	RWD	4973	195	265	09.87-06.91	*	
560 SE, SEL (126.038, 126.039) (M 117.968)	Gasolina	RWD	5547	178	242	10.85-06.91	*	
560 SE, SEL (126.038) (M 117.968)	Gasolina	RWD	5547	200	272	10.85-12.87	*	
560 SE, SEL (126.038) (M 117.968)	Gasolina	RWD	5547	205	279	08.87-06.91	*	
560 SE, SEL (126.039, 126.038) (M 117.968)	Gasolina	RWD	5547	220	300	10.85-06.91	*	
<b>SL-Class III (R107) 05.71-12.89</b>				<b>Cabrío (Executive car-E Segment)</b>				
280 SL (107.042) (M 110.982)	Gasolina	RWD	2746	130	177	06.76-09.81	*	
280 SL (107.042) (M 110.986)	Gasolina	RWD	2746	130	177	06.76-09.81	*	
280 SL (107.042) (M 110.990)	Gasolina	RWD	2746	130	177	06.76-09.81	*	
280 SL (107.042) (M 110.982)	Gasolina	RWD	2746	136	185	08.74-07.85	*	
280 SL (107.042) (M 110.986)	Gasolina	RWD	2746	136	185	08.74-07.85	*	
280 SL (107.042) (M 110.990)	Gasolina	RWD	2746	136	185	08.74-07.85	*	
350 SL (107.043) (M 116.982)	Gasolina	RWD	3499	143	195	05.71-02.80	*	
350 SL (107.043) (M 116.984)	Gasolina	RWD	3499	143	195	05.71-02.80	*	
380 SL (107.045) (M 116.960)	Gasolina	RWD	3818	160	218	09.80-08.81	*	
380 SL (107.045) (M 116.962)	Gasolina	RWD	3839	150	204	09.80-08.85	*	
450 SL (107.044)	Gasolina	FWD	4520	134	182	09.74-12.79	*	
450 SL (107.044) (M 117.982)	Gasolina	RWD	4520	160	218	09.75-10.80	*	
450 SL (107.044) (M 117.985)	Gasolina	RWD	4520	160	218	09.75-10.80	*	
450 SL (107.044) (M 117.982)	Gasolina	RWD	4520	165	224	10.72-10.80	*	
450 SL (107.044) (M 117.985)	Gasolina	RWD	4520	165	224	10.72-10.80	*	
500 SL (107.046) (M 117.960)	Gasolina	RWD	4973	170	231	05.80-12.85	*	
500 SL (107.046) (M 117.962)	Gasolina	RWD	4973	170	231	05.80-12.85	*	
500 SL (107.046) (M 117.960)	Gasolina	RWD	4973	177	241	05.80-12.81	*	
<b>SL-Class III (C107) 01.72-08.85</b>				<b>Coupé (Executive car-E Segment)</b>				
280 SLC (107.022) (M 110.982)	Gasolina	RWD	2746	130	177	06.76-09.81	*	
280 SLC (107.022) (M 110.986)	Gasolina	RWD	2746	130	177	06.76-09.81	*	
280 SLC (107.022) (M 110.990)	Gasolina	RWD	2746	130	177	06.76-09.81	*	
280 SLC (107.022) (M 110.982)	Gasolina	RWD	2746	136	185	08.74-09.81	*	
280 SLC (107.022) (M 110.986)	Gasolina	RWD	2746	136	185	08.74-09.81	*	
280 SLC (107.022) (M 110.990)	Gasolina	RWD	2746	136	185	08.74-09.81	*	
350 SLC (107.023) (M 116.982)	Gasolina	RWD	3499	143	195	03.76-02.80	*	
350 SLC (107.023) (M 116.984)	Gasolina	RWD	3499	143	195	03.76-02.80	*	
380 SLC (107.025) (M 116.960)	Gasolina	RWD	3818	160	218	07.80-08.81	*	
450 SLC 5.0 (107.026) (M 117.960)	Gasolina	RWD	4973	177	241	06.78-02.80	*	