

LISTA DE APLICACIONES - BUYERS GUIDE

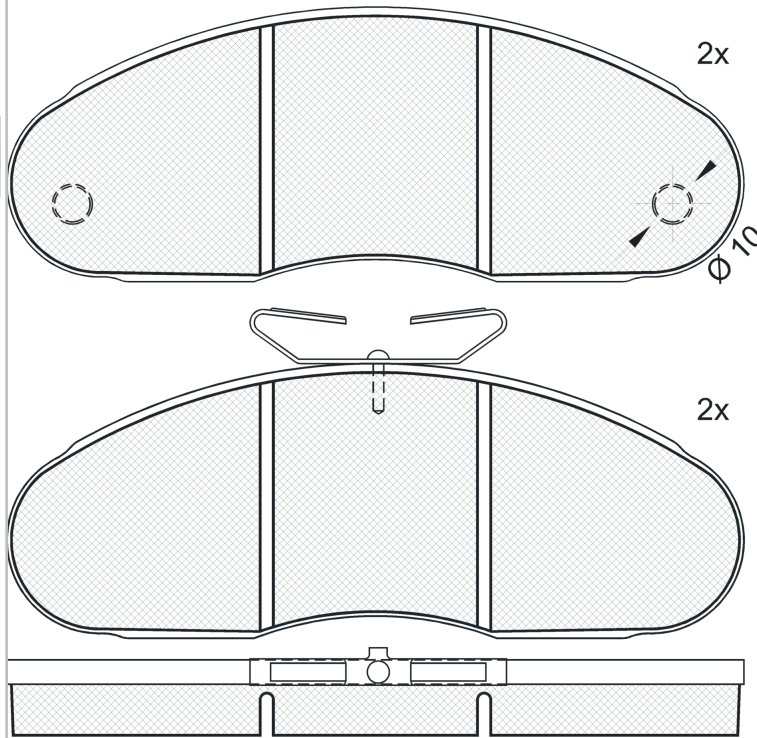
RB0316



Qty: 639

Weight: 2.351

O.E.M.	MAKE
631 420 00 20 OE	MERCEDES-BENZ
631 420 02 20 OE	MERCEDES-BENZ



RB0316



Bendix

166.7x62.1x17

WVA

29706

29947

Sin Filas



Trac.	CC	Kw	CV
-------	----	----	----



Front / Rear

AVIA

				Caja/Chasis (LCVs-N1 Segment)			
1000 01.83-							
1.5	Gasolina	FWD	1495			01.83-	*
1.7 D	Diesel	RWD	1695			01.83-	*
1250 01.83-							
1.5	Gasolina	FWD	1495			01.83-	*
1.6	Gasolina	FWD	1595			01.83-	*
2.0	Gasolina	FWD	1995			01.83-	*
2.0 D	Diesel	RWD	1995			01.83-	*
2.4 D	Diesel	RWD	2395			01.83-	*
2000 01.86-							
1.6	Gasolina	FWD	1595			01.86-	*
2.0	Gasolina	FWD	1995			01.86-	*
2.0 D	Diesel	RWD	1995			01.86-	*
2.4 D	Diesel	RWD	2395			01.86-	*

DKW

				[CAMBIADO]:Furgón (LCVs-N1 Segment)			
MB 100/130/131 01.82-							
100	Gasolina	FWD		55	75	01.82-	*
130	Gasolina	FWD		55	75	01.82-	*
131	Gasolina	FWD		55	75	01.82-	*

EBRO

				Caja/Chasis			
L Series 05.82-12.85							
35	Diesel		2995			05.82-	*

LISTA DE APLICACIONES - BUYERS GUIDE

40	Diesel		3995			05.82-	*
MERCEDES-BENZ							
MB II (W661) 11.99-05.05					[CAMBIADO]:Furgón (LCVs-N1 Segment)		
2.0 100 D	Diesel	RWD	1995	48	65	11.99-	*
100 2.4 D	Diesel	FWD	2399	53	72	11.99-12.02	*
MB120 01.73-					[CAMBIADO]:Furgón (LCVs-N1 Segment)		
120	Diesel	RWD		55	75	01.73-	*
MB130 01.87-					[CAMBIADO]:Furgón (LCVs-N1 Segment)		
130	Diesel	RWD		55	75	01.87-	*
MB90 01.73-					[CAMBIADO]:Furgón (LCVs-N1 Segment)		
90	Diesel	RWD		55	75	01.73-	*