

LISTA DE APLICACIONES - BUYERS GUIDE

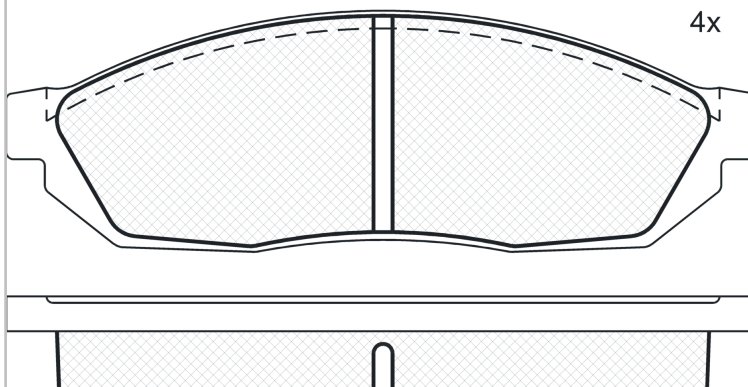
RB0311



8 424073 118592

Qty: 300 Weight: 899

O.E.M.	MAKE
45022-SA0-670	HONDA
45022-SA0-999HE	HONDA
45022-SA0-N50	HONDA
45022-SA0-N51	HONDA
55200-56850	SUZUKI
55200-56851	SUZUKI
55200-60B50	SUZUKI
55200-70820	SUZUKI
55200-70860	SUZUKI
55200-70861	SUZUKI
55200-70862	SUZUKI
55210-56A50	SUZUKI
55210-70820	SUZUKI
55210-78	BEDFORD
55210-78450	SUZUKI
55210-78460	MARUTI
55210-84500	SUZUKI
55210-85000	SUZUKI
55210-85200	SUZUKI
55210-M84500	MARUTI
90 485 512	VAUXHALL
91 128 990	VAUXHALL
91 143 129	VAUXHALL
GBP90264	TRIUMPH
GBP90269	TRIUMPH



RB0311



Sumitomo

119.4x38.2x15.3

WVA 20731	FMSI D177-7104
Sin Filas	



Trac.	CC	Kw	CV		
Front / Rear					

BEDFORD							
RASCAL 06.86-06.90						[CAMBIADO]:Furgón (LCVs-N1 Segment)	
1.0	Gasolina	FWD	970	34	46	07.86-06.90	*
RASCAL 06.86-06.90						Bus (Minibus-M2-Segment)	
1.0 A las 4 ruedas (CB)	Gasolina	4WD	993	34	46	07.86-06.90	*
GMC							
RASCAL 01.86-						Caja/Chasis (LCVs-N1 Segment)	
1.0	Gasolina	FWD	995	34	46	01.86-	*
GME							
RASCAL 08.85-12.95						[CAMBIADO]:Furgón (LCVs-N1 Segment)	
1.0	Gasolina	RWD	970	33	45	08.85-08.92	*
RASCAL 08.85-12.95						Bus (Minibus-M2-Segment)	
1.0	Gasolina	RWD	970	33	45	08.85-08.92	*
HOLDEN							
SCURRY (NB) 07.85-12.87						[CAMBIADO]:Furgón (LCVs-N1 Segment)	
SK 410	Gasolina	FWD				07.85-	*
HONDA							
CIVIC II (SS, SL) 01.78-12.83						[CAMBIADO]:Fastback (Supermini car-B Segment)	
1300 L (SS) (EN1)	Gasolina	FWD	1335	44	60	09.79-09.83	*
CIVIC II / BALLADE (SF) 10.79-12.85						Sedán (Supermini car-B Segment)	
1300 L (EN2)	Gasolina	FWD	1335	33	45	09.80-09.83	*

LISTA DE APLICACIONES - BUYERS GUIDE

1300 L (EN1)		Gasolina	FWD	1335	44	60	09.80-09.83	*
1300 S (EN4)		Gasolina	FWD	1335	52	71	10.79-12.84	*
MARUTI								
800 II-V / UDYOG 01.86-12.06						[CAMBIADO]:Fastback (City car-A Segment)		
0.8 (F8B)		Gasolina	FWD	796	26	35	01.91-12.06	*
OPEL								
RASCAL 01.84-						Caja/Chasis (LCVs-N1 Segment)		
1.0		Gasolina	FWD	995	33	45	01.84-	*
SUZUKI								
ALTO (0S) 03.79-08.84						[CAMBIADO]:Fastback (City car-A Segment)		
0.8 (SS80) (F8B)		Gasolina	FWD	796	29	39	06.82-08.84	*
0.8		Gasolina	FWD	797	29	39	10.83-08.84	*
ALTO II 09.84-12.88						[CAMBIADO]:Fastback (City car-A Segment)		
0.5		Gasolina	FWD	543	16	22	09.85-05.88	*
0.8 (SB308/CA) (F8B)		Gasolina	FWD	796	29	39	01.86-12.88	*
ALTO III (EC) 12.88-08.94						[CAMBIADO]:Fastback (City car-A Segment)		
0.8 (SB308, MA800) (F8B)		Gasolina	FWD	796	29	39	12.88-11.93	*
ALTO III (EC) 01.86-10.93						Furgón/hatchback (City car-A Segment)		
0.8 (F8B)		Gasolina	FWD	796	29	39	01.86-10.93	*
ALTO IV (EF, SH410_) 10.93-06.02						[CAMBIADO]:Fastback (City car-A Segment)		
0.8 (F8B)		Gasolina	FWD	796	25	34	11.93-06.96	*
0.8 (F8B)		Gasolina	FWD	796	29	39	11.94-06.96	*
CARRY VII (0S) 10.79-10.85						[CAMBIADO]:Furgón (LCVs-N1 Segment)		
0.8 (ST90) (F8A)		Gasolina	RWD	797	27	37	11.80-10.85	*
CARRY VIII (ED) 07.85-12.90						[CAMBIADO]:Furgón (LCVs-N1 Segment)		
1.0 (DA21, SK410)		Gasolina	RWD	970	33	45	07.85-12.90	*
CARRY VIII 06.85-						Caja/Chasis (Microcar-A Segment)		
1.0 (DA21T) (F10A)		Gasolina	RWD	970	33	45	07.85-12.90	*
MIGHTY BOY 07.85-10.88						Pick-up (City car-A Segment)		
0.5		Gasolina	FWD	543	21	29	07.85-10.88	*
SUPER CARRY (ED) 04.85-03.99						[CAMBIADO]:Furgón (LCVs-N1 Segment)		
1.0 (SK410) (F10A)		Gasolina	RWD	970	30	41	09.87-07.92	*
1.0 (SK410) (F10A)		Gasolina	RWD	970	33	45	04.85-07.92	*
SUPER CARRY (ED) 07.85-03.99						Bus (Minibus-M2-Segment)		
1.0 (SK410) (F10A)		Gasolina	RWD	970	30	41	09.94-03.99	*
1.0 (SK410) (F10A)		Gasolina	RWD	970	33	45	10.85-03.99	*
TRIUMPH								
ACCLAIM (XD) 10.81-12.85						Sedán (Compact car-C Segment)		
1.3 (XD) (EJ)		Gasolina	FWD	1335	51	69	01.82-12.85	*
VAUXHALL								
RASCAL 07.90-08.93						Bus (Minibus-M2-Segment)		
1.0 (F10A)		Gasolina	RWD	970	34	46	07.90-08.93	*
1.0		Gasolina	FWD	995	34	46	07.90-	*

LISTA DE APLICACIONES - BUYERS GUIDE

RASCAL 07.90-08.93				Caja/Chasis (LCVs-N1 Segment)			
1.0 (F10A)	Gasolina	RWD	970	34	46	07.90-08.93	*