

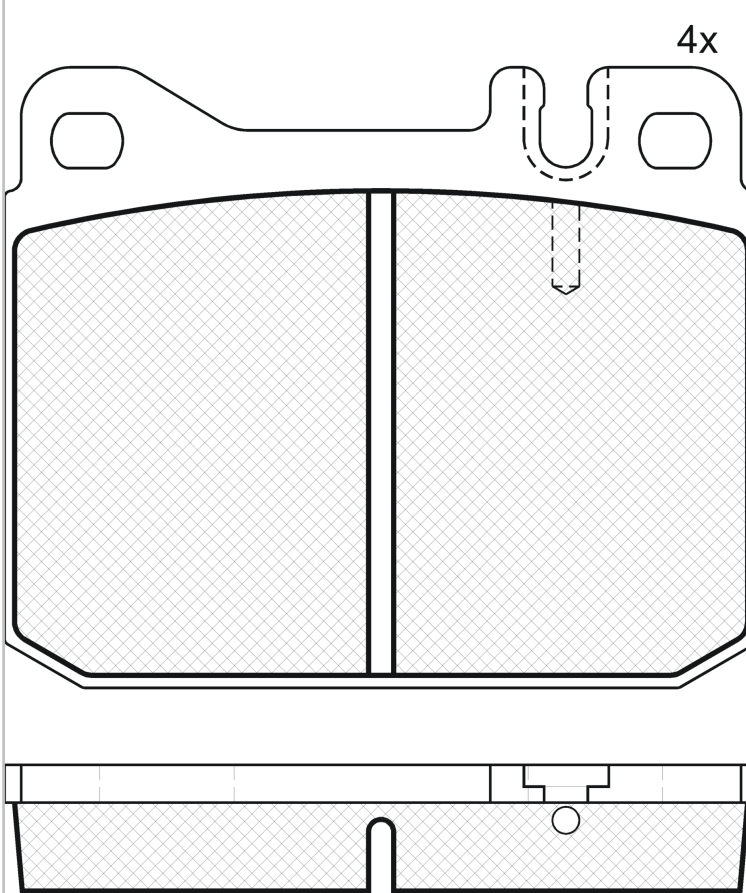
# LISTA DE APLICACIONES - BUYERS GUIDE

## RB0197



Qty: 300

Weight: 1.300



## RB0197

**E 9** 90R-01111/2581



Ate - Teves

89.66x73.9x15

**WVA**

20392  
20554  
29581

**FMSI**

D145-7036

Sin Filas

| O.E.M.        | MAKE          |
|---------------|---------------|
| 000 420 63 20 | MERCEDES-BENZ |
| 000 420 64 20 | MERCEDES-BENZ |
| 000 420 65 20 | MERCEDES-BENZ |
| 001 420 24 20 | MERCEDES-BENZ |
| 001 420 78 20 | MERCEDES-BENZ |
| 001 420 92 20 | MERCEDES-BENZ |
| 001 586 36 42 | MERCEDES-BENZ |
| 0015866342    | MERCEDES-BENZ |
| 002 420 17 20 | MERCEDES-BENZ |
| 002 420 24 20 | MERCEDES-BENZ |
| 003 420 37 20 | MERCEDES-BENZ |
| 003 420 38 20 | MERCEDES-BENZ |
| 003 420 74 20 | MERCEDES-BENZ |
| 003 420 75 20 | MERCEDES-BENZ |
| 0034203620    | MERCEDES-BENZ |
| 0084208220    | MERCEDES-BENZ |
| 0944201800    | MERCEDES-BENZ |
| A0004207520   | MERCEDES-BENZ |
| A0014200920   | MERCEDES-BENZ |
| A0014209220   | MERCEDES-BENZ |
| A0015866342   | MERCEDES-BENZ |
| A0034203620   | MERCEDES-BENZ |
| A0034207420   | MERCEDES-BENZ |
| A0084208220   | MERCEDES-BENZ |
| A0944201800   | MERCEDES-BENZ |



| Trac. | CC | Kw | CV |
|-------|----|----|----|
|-------|----|----|----|



Front / Rear

### AUDI

#### A6 IV C7 (4G2, 4GC) 11.10-

#### Sedán (Executive car-E Segment)

|                        |        |     |      |     |     |             |   |   |
|------------------------|--------|-----|------|-----|-----|-------------|---|---|
| 3.0 TDI (CLAB)         | Diesel | FWD | 2967 | 150 | 204 | 11.10-09.18 | * | * |
| 3.0 TDI quattro (CLAA) | Diesel | 4WD | 2967 | 150 | 204 | 03.11-09.18 | * | * |

### CHERY

#### QQ6 09.06-

#### [CAMBIADO]:Fastback (City car-A Segment)

|     |          |     |      |    |    |        |   |   |
|-----|----------|-----|------|----|----|--------|---|---|
| 1.1 | Gasolina | FWD | 1051 | 39 | 52 | 09.06- | * | * |
|-----|----------|-----|------|----|----|--------|---|---|

### CITROËN

#### C4 Picasso (UD\_) 10.06-12.15

#### MPV (Compact MPV-M1 Segment)

|                            |          |     |      |     |     |             |   |   |
|----------------------------|----------|-----|------|-----|-----|-------------|---|---|
| 1.6 THP 155 (5FV (EP6CDT)) | Gasolina | FWD | 1598 | 115 | 156 | 09.10-08.13 | * | * |
| 1.6 HDi 110 (9HR (DV6C))   | Diesel   | FWD | 1560 | 82  | 112 | 09.10-08.13 | * |   |

### DEUTZ -FAHR-

#### DX 01.78-12.95

#### Tractor

|               |        |  |      |    |    |             |   |
|---------------|--------|--|------|----|----|-------------|---|
| 110           | Diesel |  |      |    |    | 01.78-      | * |
| 120           | Diesel |  |      |    |    | 01.78-      | * |
| 86            | Diesel |  |      |    |    | 01.78-      | * |
| 92            | Diesel |  |      |    |    | 01.78-      | * |
| 85 (F 5L 912) | Diesel |  | 4712 | 59 | 80 | 01.78-12.82 | * |
| 85 (F 5L 912) | Diesel |  | 4712 | 59 | 80 | 01.78-12.82 | * |
| 90 (F 5L 912) | Diesel |  | 4712 | 59 | 80 | 01.78-12.82 | * |

### FENDT

#### Farmer 01.58-

#### Tractor

|   |        |  |  |  |  |        |   |
|---|--------|--|--|--|--|--------|---|
| - | Diesel |  |  |  |  | 01.58- | * |
|---|--------|--|--|--|--|--------|---|

# LISTA DE APLICACIONES - BUYERS GUIDE

|  |  |          |     |      |   |     |             |     |
|--|--|----------|-----|------|---|-----|-------------|-----|
| -  |  | Diesel   |     |      |   |     | 01.58-      | *   |
| <b>FORD</b>                                    |  |          |     |      |   |     |             |     |
| <b>ESCORT I (AFH, ATH) 01.68-02.76</b>         |  |          |     |      | <b>Sedán (Compact car-C Segment)</b>            |     |             |     |
| 1300 (J1F)                                     |  | Gasolina | RWD | 1298 | 40  | 54  | 09.73-02.76 | * * |
| 1300 (J2)                                      |  | Gasolina | RWD | 1298 | 42  | 57  | 06.70-02.76 | * * |
| 1300 GT (KL 13 H)                              |  | Gasolina | RWD | 1298 | 47  | 64  | 06.68-06.71 | * * |
| 1300 (J3D)                                     |  | Gasolina | RWD | 1298 | 53  | 72  | 06.70-02.76 | * * |
| <b>ESCORT I Turnier (ADH) 06.68-03.79</b>      |  |          |     |      | <b>[CAMBIADO]:Break (Compact car-C Segment)</b> |     |             |     |
| 1100 (KL11)                                    |  | Gasolina | RWD | 1098 | 29  | 40  | 06.68-06.71 | * * |
| 1100 (G1)                                      |  | Gasolina | RWD | 1098 | 32  | 44  | 06.70-02.76 | * * |
| 1100 (G2)                                      |  | Gasolina | RWD | 1098 | 35  | 48  | 06.70-02.76 | * * |
| 1300 (J2)                                      |  | Gasolina | RWD | 1298 | 42  | 57  | 06.70-02.76 | * * |
| <b>TAUNUS 12M II (13G) 08.66-06.71</b>         |  |          |     |      | <b>Coupé (Compact car-C Segment)</b>            |     |             |     |
| 1.3 (TV 13 L)                                  |  | Gasolina | FWD | 1305 | 37  | 50  | 08.66-06.71 | *   |
| <b>TAUNUS 12M II (11G) 08.66-06.71</b>         |  |          |     |      | <b>Sedán (Compact car-C Segment)</b>            |     |             |     |
| 1.5 (TV 15 H)                                  |  | Gasolina | FWD | 1498 | 40  | 54  | 08.66-06.71 | *   |
| <b>TAUNUS 12M II Turnier (15G) 09.66-06.71</b> |  |          |     |      | <b>[CAMBIADO]:Break (Compact car-C Segment)</b> |     |             |     |
| 1.3 (TV 13 L)                                  |  | Gasolina | FWD | 1305 | 37  | 50  | 09.66-06.71 | *   |
| <b>TAUNUS 15M 09.54-09.58</b>                  |  |          |     |      | <b>Sedán (Compact car-C Segment)</b>            |     |             |     |
| 1.5  |  | Gasolina | RWD | 1487 | 40  | 54  | 12.54-09.58 | *   |
| <b>TAUNUS 15M II (23G) 08.66-06.71</b>         |  |          |     |      | <b>Coupé (Compact car-C Segment)</b>            |     |             |     |
| 1.7 (TV 17 HC)                                 |  | Gasolina | FWD | 1699 | 55  | 75  | 07.68-06.71 | *   |
| <b>TAUNUS 15M II (28G) 08.66-06.71</b>         |  |          |     |      | <b>Sedán (Compact car-C Segment)</b>            |     |             |     |
| 1.5 XL/RS (TV 15 H)                            |  | Gasolina | FWD | 1498 | 40  | 54  | 01.68-06.71 | *   |
| 1.5 XL/RS (TV 15 H)                            |  | Gasolina | FWD | 1498 | 40  | 54  | 01.68-06.71 | *   |
| <b>FRISCH</b>                                  |  |          |     |      |   |     |             |     |
| <b>F 1100 C</b>                                |  |          |     |      |   |     |             |     |
| Landing Shovel                                 |  | Diesel   |     |      |   |     | 01.53-      | * * |
| <b>F 1300 AP 5/D</b>                           |  |          |     |      |   |     |             |     |
| Landing Shovel                                 |  | Diesel   |     |      |   |     | 01.53-      | * * |
| <b>HYUNDAI</b>                                 |  |          |     |      |   |     |             |     |
| <b>GENESIS (BH) 01.08-12.15</b>                |  |          |     |      | <b>Sedán (Luxury car-F Segment)</b>             |     |             |     |
| 3.8 V6 (G6DA)                                  |  | Gasolina | RWD | 3778 | 213   | 290 | 01.08-12.14 | * * |
| <b>MERCEDES-BENZ</b>                           |  |          |     |      |   |     |             |     |
| <b>/8 (W114) 04.69-02.77</b>                   |  |          |     |      | <b>Coupé (Executive car-E Segment)</b>          |     |             |     |
| 250 C (114.021) (M 114.920)                    |  | Gasolina | RWD | 2496 | 96  | 130 | 04.69-06.72 | *   |
| 250 CE (114.022) (M 114.980)                   |  | Gasolina | RWD | 2496 | 110   | 150 | 04.69-04.72 | *   |
| 280 C (114.073) (M 110.921)                    |  | Gasolina | RWD | 2746 | 118   | 160 | 06.72-02.77 | *   |
| 280 CE (114.072) (M 110.981)                   |  | Gasolina | RWD | 2746 | 136   | 185 | 06.72-01.77 | *   |
| 250 C 2.8 (114.023) (M 130.923)                |  | Gasolina | RWD | 2778 | 96  | 130 | 06.72-11.76 | *   |
| <b>/8 (W114) 01.68-11.76</b>                   |  |          |     |      | <b>Sedán (Executive car-E Segment)</b>          |     |             |     |
| 200 (115.015) (M 115.923)                      |  | Gasolina | RWD | 1988 | 63  | 86  | 01.68-01.77 | *   |
| 200 (115.015) (M 115.926)                      |  | Gasolina | RWD | 1988 | 63  | 86  | 01.68-01.77 | *   |
| 200 (115.020) (M 115.923)                      |  | Gasolina | RWD | 1988 | 70  | 95  | 01.68-01.77 | *   |
| 200 (115.020) (M 115.926)                      |  | Gasolina | RWD | 1988 | 70  | 95  | 01.68-01.77 | *   |
| 230.6 (114.015) (M 180.954)                    |  | Gasolina | RWD | 2292 | 88  | 120 | 01.68-11.76 | *   |

# LISTA DE APLICACIONES - BUYERS GUIDE

|                                       |  |          |     |   |     |     |             |     |
|---------------------------------------|--|----------|-----|---|-----|-----|-------------|-----|
| 230.4 (115.017) (M 115.951)           |  | Gasolina | RWD | 2307  | 81  | 110 | 08.73-12.76 | *   |
| 280 (114.060) (M 110.921)             |  | Gasolina | RWD | 2746  | 118 | 160 | 06.72-11.76 | *   |
| 280 E (114.062) (M 110.981)           |  | Gasolina | RWD | 2746  | 136 | 185 | 06.72-11.76 | *   |
| 250 2.8 (114.011) (M 130.923)         |  | Gasolina | RWD | 2778  | 96  | 130 | 06.72-11.76 | *   |
| 220 D (115.110) (OM 615.912)          |  | Diesel   | RWD | 2197  | 44  | 60  | 01.68-01.77 | *   |
| 240 D (115.117) (OM 616.916)          |  | Diesel   | RWD | 2404  | 48  | 65  | 08.73-01.77 | *   |
| 240 D 3.0 (115.114) (OM 617.910)      |  | Diesel   | RWD | 2998  | 59  | 80  | 08.74-11.76 | *   |
| <b>123 (C123) 03.77-12.85</b>         |  |          |     | <b>Coupé (Executive car-E Segment)</b>            |     |     |             |     |
| 230 C (123.043) (M 115.954)           |  | Gasolina | RWD | 2307  | 80  | 109 | 05.77-04.80 | *   |
| 280 C (123.050) (M 110.923)           |  | Gasolina | RWD | 2746  | 115 | 156 | 03.77-03.80 | *   |
| 280 CE (123.053) (M 110.988)          |  | Gasolina | RWD | 2746  | 130 | 177 | 09.77-08.79 | *   |
| 280 CE (M 110.988)                    |  | Gasolina | RWD | 2746  | 136 | 185 | 03.77-11.85 | *   |
| <b>123 (W123) 01.76-12.85</b>         |  |          |     | <b>Sedán (Executive car-E Segment)</b>            |     |     |             |     |
| 200 (123.020) (M 115.938)             |  | Gasolina | RWD | 1988  | 62  | 84  | 02.76-08.80 | *   |
| 200 (123.020) (M 115.939)             |  | Gasolina | RWD | 1988  | 62  | 84  | 02.76-08.80 | *   |
| 200 (123.020) (M 115.938)             |  | Gasolina | RWD | 1988  | 69  | 94  | 02.76-08.80 | *   |
| 200 (123.020) (M 115.939)             |  | Gasolina | RWD | 1988  | 69  | 94  | 02.76-08.80 | *   |
| 230 (123.023) (M 115.954)             |  | Gasolina | RWD | 2307  | 80  | 109 | 02.76-03.81 | *   |
| 250 (123.026) (M 123.921)             |  | Gasolina | RWD | 2525  | 95  | 129 | 02.76-10.79 | *   |
| 280 (123.030) (M 110.923)             |  | Gasolina | RWD | 2746  | 115 | 156 | 02.76-08.81 | *   |
| 280 E (123.033) (M 110.988)           |  | Gasolina | RWD | 2746  | 130 | 177 | 08.76-08.81 | *   |
| 280 E (123.033) (M 110.984)           |  | Gasolina | RWD | 2746  | 136 | 185 | 02.76-11.85 | *   |
| 280 E (123.033) (M 110.988)           |  | Gasolina | RWD | 2746  | 136 | 185 | 02.76-11.85 | *   |
| 200 D (123.120) (OM 615.940)          |  | Diesel   | RWD | 1988  | 40  | 55  | 07.76-02.79 | *   |
| 200 D (123.120) (OM 615.940)          |  | Diesel   | RWD | 1988  | 44  | 60  | 03.79-11.85 | *   |
| 220 D (123.126) (OM 615.941)          |  | Diesel   | RWD | 2197  | 44  | 60  | 01.76-02.79 | *   |
| 220 D (123.126) (OM 615.941)          |  | Diesel   | RWD | 2197  | 49  | 67  | 01.77-03.79 | *   |
| 240 D (123.123) (OM 616.912)          |  | Diesel   | RWD | 2399  | 48  | 65  | 02.76-02.79 | *   |
| 300 D (123.130) (OM 617.912)          |  | Diesel   | RWD | 2998  | 59  | 80  | 02.76-07.80 | *   |
| <b>123 T-Model (S123) 09.77-12.86</b> |  |          |     | <b>[CAMBIADO]:Break (Executive car-E Segment)</b> |     |     |             |     |
| 230 T (123.083) (M 115.954)           |  | Gasolina | RWD | 2307  | 80  | 109 | 09.77-03.80 | *   |
| 250 T (123.086) (M 123.921)           |  | Gasolina | RWD | 2525  | 95  | 129 | 05.78-10.79 | *   |
| 250 T (123.086) (M 123.921)           |  | Gasolina | RWD | 2525  | 103 | 140 | 05.78-08.82 | *   |
| 280 TE (123.093) (M 110.988)          |  | Gasolina | RWD | 2746  | 136 | 185 | 09.77-11.85 | *   |
| 240 T D (123.183) (OM 616.912)        |  | Diesel   | RWD | 2399  | 48  | 65  | 09.77-02.79 | *   |
| 300 T D (123.190) (OM 617.912)        |  | Diesel   | RWD | 2998  | 59  | 80  | 09.77-10.85 | *   |
| <b>403</b>                            |  |          |     | <b>Tractor</b>                                    |     |     |             |     |
| -                                     |  | Diesel   |     |   |     |     | 01.53-      | * * |
| <b>406</b>                            |  |          |     | <b>Tractor</b>                                    |     |     |             |     |
| -                                     |  | Diesel   |     |   |     |     | 01.53-      | * * |
| <b>65</b>                             |  |          |     | <b>Tractor</b>                                    |     |     |             |     |
| -                                     |  | Diesel   |     |   |     |     | 01.53-      | * * |
| <b>70</b>                             |  |          |     | <b>Tractor</b>                                    |     |     |             |     |
| -                                     |  | Diesel   |     |   |     |     | 01.53-      | * * |
| <b>MB II (W661) 11.99-05.05</b>       |  |          |     | <b>[CAMBIADO]:Furgón (LCVs-N1 Segment)</b>        |     |     |             |     |
| 100 /426                              |  | Diesel   | RWD |   | 55  | 75  | 11.99-      | *   |

# LISTA DE APLICACIONES - BUYERS GUIDE

|  |  |          |     |      |  |     |             |     |
|--|--|----------|-----|------|--|-----|-------------|-----|
| <b>MB1000 01.76-</b>                       |  |          |     |      | <b>[CAMBIADO]:Furgón (LCVs-N1 Segment)</b> |     |             |     |
| 1000                                       |  | Diesel   | RWD |      |  |     | 01.76-      | * * |
| <b>MB120 01.73-</b>                        |  |          |     |      | <b>[CAMBIADO]:Furgón (LCVs-N1 Segment)</b> |     |             |     |
| 125/416                                    |  | Diesel   | RWD |      | 55   | 75  | 01.73-      | *   |
| <b>MB65 01.73-</b>                         |  |          |     |      | <b>[CAMBIADO]:Furgón (LCVs-N1 Segment)</b> |     |             |     |
| 65   |  | Diesel   | RWD |      | 53   | 72  | 01.73-      | * * |
| <b>MB70 01.73-</b>                         |  |          |     |      | <b>[CAMBIADO]:Furgón (LCVs-N1 Segment)</b> |     |             |     |
| 70/406                                     |  | Diesel   | RWD |      | 53   | 72  | 01.73-      | *   |
| <b>MB700 01.73-</b>                        |  |          |     |      | <b>[CAMBIADO]:Furgón (LCVs-N1 Segment)</b> |     |             |     |
| 700 Turbo                                  |  | Diesel   | RWD |      | 48   | 65  | 01.73-      | * * |
| <b>MB80 01.73-</b>                         |  |          |     |      | <b>[CAMBIADO]:Furgón (LCVs-N1 Segment)</b> |     |             |     |
| 80 /406                                    |  | Diesel   | RWD |      | 53   | 72  | 01.73-      | *   |
| 84/406                                     |  | Diesel   | RWD |      | 53   | 72  | 01.73-      | *   |
| <b>MB90 01.73-</b>                         |  |          |     |      | <b>[CAMBIADO]:Furgón (LCVs-N1 Segment)</b> |     |             |     |
| 99/406                                     |  | Diesel   | RWD |      | 55   | 75  | 01.73-      | *   |
| <b>MB900 01.73-</b>                        |  |          |     |      | <b>[CAMBIADO]:Furgón (LCVs-N1 Segment)</b> |     |             |     |
| 900/406                                    |  | Diesel   | RWD |      |  |     | 01.73-      | * * |
| <b>MB-TRAC 07.73-12.91</b>                 |  |          |     |      | <b>Tractor</b>                             |     |             |     |
| 65/70, 700, 800 (OM 314.956)               |  | Diesel   |     | 3782 | 48   | 65  | 07.73-12.91 | * * |
| 65/70, 700, 800 (OM 314.957)               |  | Diesel   |     | 3782 | 48   | 65  | 07.73-12.91 | * * |
| 900 (OM 314.970)                           |  | Diesel   |     | 3782 | 63   | 85  | 09.81-12.91 | * * |
| 700, 800 (OM 364.908)                      |  | Diesel   |     | 3972 | 50   | 68  | 02.87-12.91 | * * |
| 700, 800 (OM 364.909)                      |  | Diesel   |     | 3972 | 50   | 68  | 02.87-12.91 | * * |
| 900 (OM 364.951)                           |  | Diesel   |     | 3972 | 66   | 90  | 03.87-12.91 | * * |
| 1000 (OM 353.985)                          |  | Diesel   |     | 5675 | 70   | 95  | 12.82-12.87 | * * |
| <b>S-Class (W116) 08.72-07.80</b>          |  |          |     |      | <b>Sedán (Luxury car-F Segment)</b>        |     |             |     |
| 280 S (116.020) (M 110.922)                |  | Gasolina | RWD | 2746 | 115  | 156 | 08.72-07.80 | *   |
| 280 S (116.020) (M 110.922)                |  | Gasolina | RWD | 2746 | 118  | 160 | 08.72-07.80 | *   |
| 280 SE, SEL (116.024, 116.025) (M 110.985) |  | Gasolina | RWD | 2746 | 130  | 177 | 08.72-07.80 | *   |
| 280 SE, SEL (116.024, 116.025) (M 110.983) |  | Gasolina | RWD | 2746 | 136  | 185 | 08.72-07.80 | *   |
| 280 SE, SEL (116.024, 116.025) (M 110.985) |  | Gasolina | RWD | 2746 | 136  | 185 | 08.72-07.80 | *   |
| 350 SE, SEL (116.028, 116.029) (M 116.985) |  | Gasolina | RWD | 3499 | 143  | 194 | 03.76-03.80 | *   |
| 350 SE, SEL (116.028, 116.029) (M 116.983) |  | Gasolina | RWD | 3499 | 147  | 200 | 08.72-02.76 | *   |
| 350 SE, SEL (116.028, 116.029) (M 116.985) |  | Gasolina | RWD | 3499 | 151  | 205 | 03.76-03.80 | *   |
| 450 SE (M 117.983)                         |  | Gasolina | RWD | 4520 | 143  | 194 | 08.72-12.76 | *   |
| 450 SE,SEL (116.033) (M 117.983)           |  | Gasolina | RWD | 4520 | 160  | 218 | 12.75-04.80 | *   |
| 450 SE,SEL (116.033) (M 117.986)           |  | Gasolina | RWD | 4520 | 160  | 218 | 12.75-04.80 | *   |
| 450 SE, SEL (116.032) (M 117.983)          |  | Gasolina | RWD | 4520 | 165  | 224 | 01.73-04.80 | *   |
| 450 SE, SEL (116.032) (M 117.986)          |  | Gasolina | RWD | 4520 | 165  | 224 | 01.73-04.80 | *   |
| 450 SEL 6.9 (116.036) (M 100.985)          |  | Gasolina | RWD | 6834 | 210  | 286 | 07.75-03.80 | *   |
| <b>SL-Class III (R107) 05.71-12.89</b>     |  |          |     |      | <b>Cabrió (Executive car-E Segment)</b>    |     |             |     |
| 280 SL (107.042) (M 110.982)               |  | Gasolina | RWD | 2746 | 130  | 177 | 06.76-09.81 | *   |
| 280 SL (107.042) (M 110.986)               |  | Gasolina | RWD | 2746 | 130  | 177 | 06.76-09.81 | *   |
| 280 SL (107.042) (M 110.990)               |  | Gasolina | RWD | 2746 | 130  | 177 | 06.76-09.81 | *   |
| 280 SL (107.042) (M 110.982)               |  | Gasolina | RWD | 2746 | 136  | 185 | 08.74-07.85 | *   |
| 280 SL (107.042) (M 110.986)               |  | Gasolina | RWD | 2746 | 136  | 185 | 08.74-07.85 | *   |

# LISTA DE APLICACIONES - BUYERS GUIDE

|  |  |          |     |  |     |     |             |   |   |
|--|--|----------|-----|--|-----|-----|-------------|---|---|
| 280 SL (107.042) (M 110.990)           |  | Gasolina | RWD | 2746                                   | 136 | 185 | 08.74-07.85 | * |   |
| 350 SL (107.043) (M 116.982)           |  | Gasolina | RWD | 3499                                   | 143 | 195 | 05.71-02.80 | * |   |
| 350 SL (107.043) (M 116.984)           |  | Gasolina | RWD | 3499                                   | 143 | 195 | 05.71-02.80 | * |   |
| 450 SL (107.044)                       |  | Gasolina | FWD | 4520                                   | 134 | 182 | 09.74-12.79 | * |   |
| 450 SL (107.044) (M 117.982)           |  | Gasolina | RWD | 4520                                   | 160 | 218 | 09.75-10.80 | * |   |
| 450 SL (107.044) (M 117.985)           |  | Gasolina | RWD | 4520                                   | 160 | 218 | 09.75-10.80 | * |   |
| 450 SL (107.044) (M 117.982)           |  | Gasolina | RWD | 4520                                   | 165 | 224 | 10.72-10.80 | * |   |
| 450 SL (107.044) (M 117.985)           |  | Gasolina | RWD | 4520                                   | 165 | 224 | 10.72-10.80 | * |   |
| <b>SL-Class III (C107) 01.72-08.85</b> |  |          |     | <b>Coupé (Executive car-E Segment)</b> |     |     |             |   |   |
| 280 SLC (107.022) (M 110.982)          |  | Gasolina | RWD | 2746                                   | 130 | 177 | 06.76-09.81 | * |   |
| 280 SLC (107.022) (M 110.986)          |  | Gasolina | RWD | 2746                                   | 130 | 177 | 06.76-09.81 | * |   |
| 280 SLC (107.022) (M 110.990)          |  | Gasolina | RWD | 2746                                   | 130 | 177 | 06.76-09.81 | * |   |
| 280 SLC (107.022) (M 110.982)          |  | Gasolina | RWD | 2746                                   | 136 | 185 | 08.74-09.81 | * |   |
| 280 SLC (107.022) (M 110.986)          |  | Gasolina | RWD | 2746                                   | 136 | 185 | 08.74-09.81 | * |   |
| 280 SLC (107.022) (M 110.990)          |  | Gasolina | RWD | 2746                                   | 136 | 185 | 08.74-09.81 | * |   |
| 350 SLC (107.023) (M 116.982)          |  | Gasolina | RWD | 3499                                   | 143 | 195 | 03.76-02.80 | * |   |
| 350 SLC (107.023) (M 116.984)          |  | Gasolina | RWD | 3499                                   | 143 | 195 | 03.76-02.80 | * |   |
| 450 SLC (107.024) (M 117.982)          |  | Gasolina | RWD | 4520                                   | 160 | 218 | 09.75-08.79 | * |   |
| 450 SLC (107.024) (M 117.985)          |  | Gasolina | RWD | 4520                                   | 160 | 218 | 09.75-08.79 | * |   |
| 450 SLC (107.024) (M 117.982)          |  | Gasolina | RWD | 4520                                   | 165 | 225 | 01.73-11.75 | * |   |
| 450 SLC (107.024) (M 117.985)          |  | Gasolina | RWD | 4520                                   | 165 | 225 | 01.73-11.75 | * |   |
| 450 SLC 5.0 (107.026) (M 117.960)      |  | Gasolina | RWD | 4973                                   | 177 | 241 | 06.78-02.80 | * |   |
| <b>UNIMOG 01.55-</b>                   |  |          |     | <b>Cabina tractora</b>                 |     |     |             |   |   |
| U 60T, U 600T (OM 616.911)             |  | Diesel   |     | 2404                                   | 38  | 52  | 01.77-05.88 | * | * |
| U 60T, U 600T (OM 616.915)             |  | Diesel   |     | 2404                                   | 38  | 52  | 01.77-05.88 | * | * |
| U 60T, U 600T (OM 616.931)             |  | Diesel   |     | 2404                                   | 38  | 52  | 01.77-05.88 | * | * |
| U 60T, U 600T (OM 616.932)             |  | Diesel   |     | 2404                                   | 38  | 52  | 01.77-05.88 | * | * |
| U 65 T, U 70 T (OM 352.919)            |  | Diesel   |     | 5675                                   | 48  | 65  | 01.62-01.88 | * | * |
| U 80 T, U 90 T (OM 352.903)            |  | Diesel   |     | 5675                                   | 59  | 80  | 05.66-      | * | * |
| U 80 T, U 90 T (OM 352.984)            |  | Diesel   |     | 5675                                   | 59  | 80  | 05.66-      | * | * |
| U 100, U 110T, U 1100T (OM 353.901)    |  | Diesel   |     | 5675                                   | 74  | 100 | 01.77-      | * | * |
| U 100, U 110T, U 1100T (OM 353.940)    |  | Diesel   |     | 5675                                   | 74  | 100 | 01.77-      | * | * |
| U 100, U 110T, U 1100T (OM 353.980)    |  | Diesel   |     | 5675                                   | 74  | 100 | 01.77-      | * | * |
| U 1000T (OM 353.940)                   |  | Diesel   |     | 5675                                   | 81  | 110 | 01.77-12.82 | * | * |
| U 1000T (OM 353.980)                   |  | Diesel   |     | 5675                                   | 81  | 110 | 01.77-12.82 | * | * |
| <b>UNIMOG 01.55-</b>                   |  |          |     | <b>Caja/Chasis</b>                     |     |     |             |   |   |
| U 100                                  |  | Diesel   |     |  | 74  | 100 | 01.55-      | * | * |
| U 110                                  |  | Diesel   |     |  | 81  | 110 | 01.55-      | * | * |
| U 125                                  |  | Diesel   |     |  | 92  | 125 | 01.55-      | * | * |
| U 45 (OM 615.911)                      |  | Diesel   |     | 2197                                   | 33  | 45  | 01.66-04.71 | * | * |
| U S 404 (OM 615.911)                   |  | Diesel   |     | 2197                                   | 33  | 45  | 01.68-      | * | * |
| U 600 (OM 616.942)                     |  | Diesel   |     | 2399                                   | 38  | 52  | 05.88-      | * | * |
| U 600 (OM 616.943)                     |  | Diesel   |     | 2399                                   | 38  | 52  | 05.88-      | * | * |
| U 600 (OM 616.942)                     |  | Diesel   |     | 2399                                   | 38  | 52  | 05.88-      |   | * |
| U 600 (OM 616.943)                     |  | Diesel   |     | 2399                                   | 38  | 52  | 05.88-      |   | * |
| U 650,U 650L (OM 616.942)              |  | Diesel   |     | 2399                                   | 38  | 52  | 05.88-      | * | * |
| U 650,U 650L (OM 616.943)              |  | Diesel   |     | 2399                                   | 38  | 52  | 05.88-      | * | * |
| U 650,U 650L (OM 616.942)              |  | Diesel   |     | 2399                                   | 38  | 52  | 05.88-      | * | * |
| U 650,U 650L (OM 616.943)              |  | Diesel   |     | 2399                                   | 38  | 52  | 05.88-      | * | * |
| U 52, U 60, U 600,U 600L (OM 616.911)  |  | Diesel   |     | 2404                                   | 38  | 52  | 01.77-05.88 | * | * |

# LISTA DE APLICACIONES - BUYERS GUIDE

|                                       |  |          |     |      |     |   |             |   |                    |
|---------------------------------------|--|----------|-----|------|-----|---|-------------|---|--------------------|
| U 52, U 60, U 600,U 600L (OM 616.915) |  | Diesel   |     | 2404 | 38  | 52  | 01.77-05.88 | * | *                  |
| U 52, U 60, U 600,U 600L (OM 616.931) |  | Diesel   |     | 2404 | 38  | 52  | 01.77-05.88 | * | *                  |
| U 52, U 60, U 600,U 600L (OM 616.932) |  | Diesel   |     | 2404 | 38  | 52  | 01.77-05.88 | * | *                  |
| U 100L                                |  | Diesel   |     | 2874 | 65  | 88  | 11.92-07.08 |   | *                  |
| U 54 (OM 314.916)                     |  | Diesel   |     | 3780 | 40  | 54  | 04.66-03.72 | * | *                  |
| U 72 ,U 80 (OM 314.917)               |  | Diesel   |     | 3780 | 48  | 65  | 01.69-01.77 | * | *                  |
| U 800 (OM 314.917)                    |  | Diesel   |     | 3780 | 53  | 72  | 01.77-03.90 | * | *                  |
| U 800 (OM 314.917)                    |  | Diesel   |     | 3780 | 53  | 72  | 05.88-03.90 | * | *                  |
| U 800L (OM 314.917)                   |  | Diesel   |     | 3780 | 53  | 72  | 01.77-03.90 | * | *                  |
| U 66, U 72 (OM 314.917)               |  | Diesel   |     | 3780 | 55  | 75  | 03.69-01.88 | * | *                  |
| U 65, U 70 (OM 312.954)               |  | Diesel   |     | 4580 | 48  | 65  | 01.62-01.88 | * | *                  |
| U 65, U 70 (OM 352.919)               |  | Diesel   |     | 5675 | 48  | 65  | 01.62-01.88 | * | *                  |
| U 80, U 84, U 90 (OM 352.903)         |  | Diesel   |     | 5675 | 62  | 84  | 05.69-01.88 | * | *                  |
| U 80, U 84, U 90 (OM 353.902)         |  | Diesel   |     | 5675 | 62  | 84  | 05.69-01.88 | * | *                  |
| U 900 (OM 353.902)                    |  | Diesel   |     | 5675 | 62  | 84  | 01.77-      | * | *                  |
| U 900 (OM 353.902)                    |  | Diesel   |     | 5675 | 62  | 84  | 05.88-      | * | *                  |
| U 1000 (OM 353.962)                   |  | Diesel   |     | 5675 | 70  | 95  | 01.77-05.88 | * | *                  |
| U 100, U 110, U 1100L (OM 353.901)    |  | Diesel   |     | 5675 | 74  | 100   | 01.77-05.88 |   | *                  |
| U 100, U 110, U 1100L (OM 353.940)    |  | Diesel   |     | 5675 | 74  | 100   | 01.77-05.88 |   | *                  |
| U 100, U 110, U 1100L (OM 353.980)    |  | Diesel   |     | 5675 | 74  | 100   | 01.77-05.88 |   | *                  |
| U 1150,U 1150L (OM 353.940)           |  | Diesel   |     | 5675 | 81  | 110   | 05.88-      | * | *                  |
| U 1150,U 1150L (OM 353.940)           |  | Diesel   |     | 5675 | 81  | 110   | 05.88-      | * | *                  |
| U 900 (OM 353.940)                    |  | Diesel   |     | 5675 | 81  | 110   | 01.77-01.88 | * | *                  |
| U 1150L (OM 353.907)                  |  | Diesel   |     | 5675 | 92  | 125   | 05.88-      | * | *                  |
| U 1200 (OM 353.973)                   |  | Diesel   |     | 5675 | 92  | 125   | 02.82-05.88 | * | *                  |
| U 1200 (OM 353.995)                   |  | Diesel   |     | 5675 | 92  | 125   | 02.82-05.88 | * | *                  |
| U 125, U 1100L (OM 353.907)           |  | Diesel   |     | 5675 | 92  | 125   | 01.77-01.88 | * | *                  |
| U 1250 (OM 353.973)                   |  | Diesel   |     | 5675 | 92  | 125   | 12.84-05.88 |   | *                  |
| U 1250 (OM 353.995)                   |  | Diesel   |     | 5675 | 92  | 125   | 12.84-05.88 |   | *                  |
| U 1300,U 1300L (OM 353.961)           |  | Diesel   |     | 5675 | 92  | 125   | 01.77-05.88 | * | *                  |
| U 1300,U 1300L (OM 353.973)           |  | Diesel   |     | 5675 | 92  | 125   | 01.77-05.88 | * | *                  |
| U 1000 (OM 356.914)                   |  | Diesel   |     | 5958 | 75  | 102   | 01.88-      | * | *                  |
| U 1000 (OM 366.915)                   |  | Diesel   |     | 5958 | 75  | 102   | 01.88-      | * | *                  |
| U 900 (OM 356.912)                    |  | Diesel   |     | 5958 | 81  | 110   | 11.88-      | * | *                  |
| U 900 (OM 366.939)                    |  | Diesel   |     | 5958 | 81  | 110   | 11.88-      | * | *                  |
| U 1200 (OM 356.950)                   |  | Diesel   |     | 5958 | 92  | 125   | 01.88-      | * | *                  |
| U 1200 (OM 356.954)                   |  | Diesel   |     | 5958 | 92  | 125   | 01.88-      | * | *                  |
| U 1200 (OM 366.949)                   |  | Diesel   |     | 5958 | 92  | 125   | 01.88-      | * | *                  |
| U 1550L                               |  | Diesel   |     | 5958 | 132 | 179   | 05.88-07.08 | * | *                  |
| <b>UNIMOG 01.55-</b>                  |  |          |     |      |     |   |             |   | <b>Caja/Chasis</b> |
| U S 404 (M 180.952)                   |  | Gasolina |     | 2195 | 60  | 82  | 01.55-12.76 | * | *                  |
| U S 404 (M 180.953)                   |  | Gasolina |     | 2195 | 60  | 82  | 01.55-12.76 | * | *                  |
| <b>OPEL</b>                           |  |          |     |      |     |   |             |   |                    |
| <b>CORSA A (S83) 02.86-09.94</b>      |  |          |     |      |     | <b>Furgón/hatchback (LCVs-N1 Segment)</b>       |             |   |                    |
| 1.3 (F08, W5L) (13 SB)                |  | Gasolina | FWD | 1297 | 51  | 69  | 02.86-04.89 | * | *                  |
| <b>PERODUA</b>                        |  |          |     |      |     |   |             |   |                    |
| <b>KANCIL / NIPPA 08.94-</b>          |  |          |     |      |     | <b>[CAMBIADO]:Fastback (City car-A Segment)</b> |             |   |                    |
| 0.7 (L200) (EF-CL)                    |  | Gasolina | FWD | 659  | 23  | 31  | 08.94-07.09 | * | *                  |
| <b>RENAULT</b>                        |  |          |     |      |     |   |             |   |                    |

# LISTA DE APLICACIONES - BUYERS GUIDE

| <b>TRAFIC (T_, P_, V_) 03.80-04.89</b> |  |          |     |      | <b>[CAMBIADO]:Furgón (LCVs-N1 Segment)</b> |    |             |   |   |
|--|--|----------|-----|------|--|----|-------------|---|---|
| 1.6 (A1M 707)                          |  | Gasolina | FWD | 1647 | 48   | 65 | 01.83-06.86 | * | * |
| 1.6 (A1M 708)                          |  | Gasolina | FWD | 1647 | 48   | 65 | 01.83-06.86 | * | * |
| 1.7 (F1N 724)                          |  | Gasolina | FWD | 1721 | 50   | 68 | 06.86-04.89 | * | * |
| 1.7 (F1N 720)                          |  | Gasolina | FWD | 1721 | 50   | 68 | 08.92-08.94 | * | * |
| <b>TRAFIC (T_, P_, V_) 03.80-04.89</b> |  |          |     |      | <b>Bus (Minibus-M2-Segment)</b>            |    |             |   |   |
| 1.7 (F1N 724)                          |  | Gasolina | FWD | 1721 | 50   | 68 | 06.86-04.89 | * | * |
| <b>TRAFIC (T_, P_, V_) 03.80-04.89</b> |  |          |     |      | <b>Caja/Chasis (LCVs-N1 Segment)</b>       |    |             |   |   |
| 2.0 (829 720)                          |  | Gasolina | RWD | 1995 | 63   | 86 | 03.80-12.86 | * | * |
| 2.0 (829 721)                          |  | Gasolina | RWD | 1995 | 63   | 86 | 03.80-12.86 | * | * |
| <b>STEYR</b>                           |  |          |     |      |  |    |             |   |   |
| <b>8100</b>                            |  |          |     |      |  |    |             |   |   |
| -                                      |  | Diesel   |     |      |  |    | 01.53-      | * |   |
| <b>8120</b>                            |  |          |     |      |  |    |             |   |   |
| -                                      |  | Diesel   |     |      |  |    | 01.53-      | * |   |
| <b>ZETTELMAYER</b>                     |  |          |     |      |  |    |             |   |   |
| -                                      |  |          |     |      |  |    |             |   |   |
| -                                      |  | Diesel   |     |      |  |    | 01.53-      | * | * |