

# LISTA DE APLICACIONES - BUYERS GUIDE

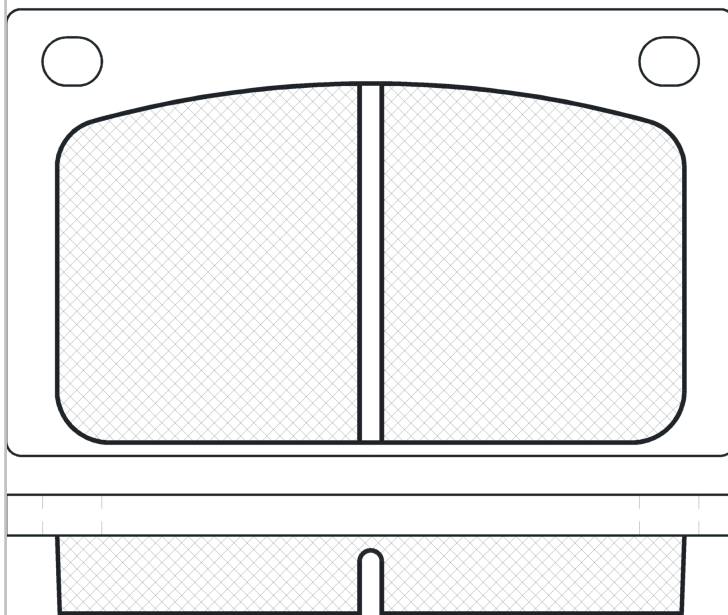
## RB0142



Qty: 300

Weight: 1.240

O.E.M.	MAKE
2 701 639	VOLVO
2 717 395	VOLVO
2 725 661	VOLVO
2 726 735	VOLVO
2 728 673	VOLVO
2 728 72	VOLVO
2 728 731	VOLVO
2 758 944	VOLVO



## RB0142



Lucas - Girling

98.3x60.3x16

WVA	FMSI
20152	D43-764
20314	

Sin Filas



Trac.	CC	Kw	CV	Front / Rear
-------	----	----	----	--------------

### MITSUBISHI

#### LANCER CARGO IV (CS\_W, CS\_V) 01.03-06.08

**[CAMBIADO]:Furgón/Break (Compact car-C Segment)**

2.0 (CS9W)	Gasolina	FWD	1997	99	135	09.03-06.08	*
------------	----------	-----	------	----	-----	-------------	---

### VOLVO

#### 140 (145) 08.66-02.75

**[CAMBIADO]:Break (Executive car-E Segment)**

1.8 S (B 18 A)	Gasolina	RWD	1779	55	75	08.66-07.68	*
1.8 S (B 18 B)	Gasolina	RWD	1780	74	101	08.66-07.68	*
2.0 S (B 20 A)	Gasolina	RWD	1986	60	82	08.68-07.74	*
2.0 S (B 20 D)	Gasolina	RWD	1986	70	95	08.72-07.74	*
2.0 S (B 20 B)	Gasolina	RWD	1986	73	100	08.72-07.73	*
2.0 S (B 20 B)	Gasolina	RWD	1986	74	101	08.72-07.74	*
2.0 S (B 20 E)	Gasolina	RWD	1986	91	124	08.72-07.73	*
2.0 S	Gasolina	RWD	1998	85	116	09.73-02.75	*

#### 140 (142, 144) 08.66-08.75

**Sedán (Executive car-E Segment)**

1.8 (B 18 A)	Gasolina	RWD	1779	55	75	08.66-07.68	*
1.8 S (B 18 B)	Gasolina	RWD	1780	74	101	07.67-01.72	*
2.0 (B 20 A)	Gasolina	RWD	1986	60	82	08.68-07.74	*
2.0 (B 20 D)	Gasolina	RWD	1986	70	95	08.71-07.72	*
2.0 S (B 20 B)	Gasolina	RWD	1986	74	101	11.68-09.72	*
2.0 (B 20 E)	Gasolina	RWD	1986	91	124	09.70-04.75	*
2.0 S	Gasolina	RWD	1998	85	116	09.72-08.75	*

#### 164 (164) 08.68-04.75

**Sedán (Executive car-E Segment)**

2.9 E (B 30 A)	Gasolina	RWD	2978	96	131	08.68-07.73	*
----------------	----------	-----	------	----	-----	-------------	---

# LISTA DE APLICACIONES - BUYERS GUIDE

2.9 (B 30 E)	Gasolina	RWD	2978	118	160	08.72-07.74	*
<b>220 01.68-</b>	<b>Sedán (Executive car-E Segment)</b>						
2.0 S	Gasolina	FWD	1995	59	80	01.68-	*
<b>221 01.68-</b>	<b>Sedán (Executive car-E Segment)</b>						
2.0	Gasolina	FWD	1995	59	80	01.68-	*
<b>240 (P242, P244) 08.74-12.93</b>	<b>Sedán (Executive car-E Segment)</b>						
2.0 (B 20 A)	Gasolina	RWD	1986	60	82	08.74-07.76	*
2.0 (B 19 A)	Gasolina	RWD	1986	66	90	08.76-07.79	*
2.0 (B 19 A)	Gasolina	RWD	1986	71	97	09.78-08.83	*
2.0 (B 19 K)	Gasolina	RWD	1986	71	97	09.78-08.83	*
2.0 (B 200 K)	Gasolina	RWD	1986	76	103	08.84-07.85	*
2.0 (B 200 E)	Gasolina	RWD	1986	89	121	09.84-12.93	*
2.1 (B 21 A)	Gasolina	RWD	2127	71	97	08.74-07.75	*
2.1 (B 21 A)	Gasolina	RWD	2127	74	100	08.75-07.80	*
2.1 (B 21 A)	Gasolina	RWD	2127	79	107	08.80-07.84	*
2.1 (B 21 E)	Gasolina	RWD	2127	90	122	08.74-09.83	*
2.1 Turbo (B 21 ET)	Gasolina	RWD	2127	114	155	08.80-07.84	*
2.3 (B 230 F)	Gasolina	RWD	2315	83	113	08.86-07.87	*
2.3 (B 230 A)	Gasolina	RWD	2316	81	110	08.84-07.86	*
2.3 (B 23 A)	Gasolina	RWD	2316	82	112	08.80-07.84	*
2.3 (B 230 K)	Gasolina	RWD	2316	85	115	08.86-12.88	*
2.3 i Cat (B 230 F)	Gasolina	RWD	2316	85	115	08.86-07.93	*
2.3 (B 230 E)	Gasolina	RWD	2316	96	131	08.83-07.85	*
2.3 (B 23 E)	Gasolina	RWD	2316	98	133	08.84-12.89	*
2.3 (B 23 E)	Gasolina	RWD	2316	100	136	08.80-07.83	*
2.3 (B 23 F)	Gasolina	RWD	2316	100	136	08.80-07.83	*
2.3 (B 23 E)	Gasolina	RWD	2316	103	140	08.78-12.82	*
2.7 GLT6 (B 27 E)	Gasolina	RWD	2664	104	141	08.79-07.80	*
2.4 Diesel (D 24)	Diesel	RWD	2383	58	79	08.87-08.93	*
2.4 Diesel (D 24)	Diesel	RWD	2383	60	82	08.78-07.85	*
<b>240 Kombi (P245) 08.74-12.93</b>	<b>[CAMBIADO]:Break (Executive car-E Segment)</b>						
2.0 (B 20 A)	Gasolina	RWD	1986	60	82	08.74-07.75	*
2.0 (B 19 A)	Gasolina	RWD	1986	66	90	08.76-01.82	*
2.0 (B 19 A)	Gasolina	RWD	1986	71	97	08.80-12.84	*
2.0 (B 19 K)	Gasolina	RWD	1986	71	97	08.80-12.84	*
2.0 (B 200 K)	Gasolina	RWD	1986	76	103	08.84-07.85	*
2.0 (B 200 E)	Gasolina	RWD	1986	86	117	08.83-07.93	*
2.1 (B 21 A)	Gasolina	RWD	2127	71	97	08.74-07.75	*
2.1 (B 21 A)	Gasolina	RWD	2127	74	100	08.75-07.80	*
2.1 (B 21 A)	Gasolina	RWD	2127	79	107	08.80-07.84	*
2.1 (B 21 F)	Gasolina	RWD	2127	80	109	08.80-07.84	*
2.1	Gasolina	FWD	2127	86	117	01.77-08.78	*
2.1 (B 21 E)	Gasolina	RWD	2127	90	122	08.74-09.83	*
2.1 Turbo (B 21 ET)	Gasolina	RWD	2127	114	155	08.80-07.85	*
2.3 (B 230 A)	Gasolina	RWD	2316	81	110	08.84-07.86	*
2.3 (B 23 A)	Gasolina	RWD	2316	82	112	08.80-07.84	*
2.3 (B 230 F)	Gasolina	RWD	2316	83	113	08.86-07.87	*
2.3 (B 230 K)	Gasolina	RWD	2316	85	115	08.86-12.88	*
2.3 i Cat (B 230 F)	Gasolina	RWD	2316	85	115	08.86-07.93	*
2.3 (B 230 E)	Gasolina	RWD	2316	96	131	08.84-07.85	*

# LISTA DE APLICACIONES - BUYERS GUIDE

2.3 (B 23 E)		Gasolina	RWD	2316	98	133	08.84-12.88	*	
2.3 (B 23 E)		Gasolina	RWD	2316	100	136	08.80-12.84	*	
2.3 Cat (B 230 F)		Gasolina	RWD	2316	100	136	08.91-07.92	*	
2.7 GLT6 (B 27 E)		Gasolina	RWD	2664	104	141	08.79-07.80	*	
2.8 (B 28 A)		Gasolina	RWD	2849	95	129	10.81-09.82	*	
2.8 (B 28 E)		Gasolina	RWD	2849	114	155	10.80-09.82	*	
2.0 D (D 20)		Diesel	RWD	1985	50	68	09.78-10.80	*	
2.4 Diesel (D 24)		Diesel	RWD	2383	58	79	08.88-08.93	*	
2.4 Diesel (D 24)		Diesel	RWD	2383	60	82	04.79-08.93	*	
<b>260 (P265) 07.75-07.82</b>					<b>[CAMBIADO]:Break (Executive car-E Segment)</b>				
2.7 (B 27 A)		Gasolina	RWD	2664	92	125	08.75-07.77	*	
2.7 (B 27 E)		Gasolina	RWD	2664	103	140	07.75-07.82	*	
2.7 (B 27 F)		Gasolina	RWD	2664	109	148	10.78-07.82	*	
2.8 (B 28 F)		Gasolina	RWD	2849	114	155	08.80-07.82	*	
<b>260 (P262) 09.75-12.85</b>					<b>Coupé (Executive car-E Segment)</b>				
2.7 (B 27 E)		Gasolina	RWD	2664	103	140	08.77-07.78	*	
<b>260 (P262, P264) 08.74-07.82</b>					<b>Sedán (Executive car-E Segment)</b>				
2.7 (B 27 A)		Gasolina	RWD	2664	92	125	08.76-07.82	*	
2.7 (B 27 E)		Gasolina	RWD	2664	103	140	08.74-07.80	*	
2.7 (B 27 E)		Gasolina	RWD	2664	109	148	08.78-07.82	*	
2.7 (B 27 F)		Gasolina	RWD	2664	109	148	08.78-07.82	*	
2.8 (B 28 A)		Gasolina	RWD	2849	95	129	08.80-07.82	*	
2.8 (B 28 E)		Gasolina	RWD	2849	114	155	08.80-07.82	*	
<b>P 122 S AMAZON (120, 121) 05.59-05.71</b>					<b>[CAMBIADO]:Break (Sports car-S Segment)</b>				
1.8 (B 18)		Gasolina	RWD	1779	59	80	08.61-07.67	*	
<b>P 122 S AMAZON 05.59-05.71</b>					<b>Sedán (Sports car-S Segment)</b>				
1.8 (B 18)		Gasolina	RWD	1779	63	86	09.66-05.71	*	
1.8 (B 18 D)		Gasolina	RWD	1779	66	90	02.67-05.71	*	
1.8 (B 18)		Gasolina	RWD	1779	76	103	09.66-05.71	*	
2.0 (B 20 B)		Gasolina	RWD	1986	74	101	11.68-05.71	*	
<b>P 123/131 01.65-</b>					<b>Sedán (Sports car-S Segment)</b>				
1.8 P 123		Gasolina	FWD	1795	76	103	01.65-	*	
2.0 P 131		Gasolina	FWD	1995			01.65-	*	
<b>P 180 (P18) 04.62-11.73</b>					<b>Coupé (Sports car-S Segment)</b>				
2.0 ES (B 20 E)		Gasolina	RWD	1986	91	124	08.69-11.73	*	