

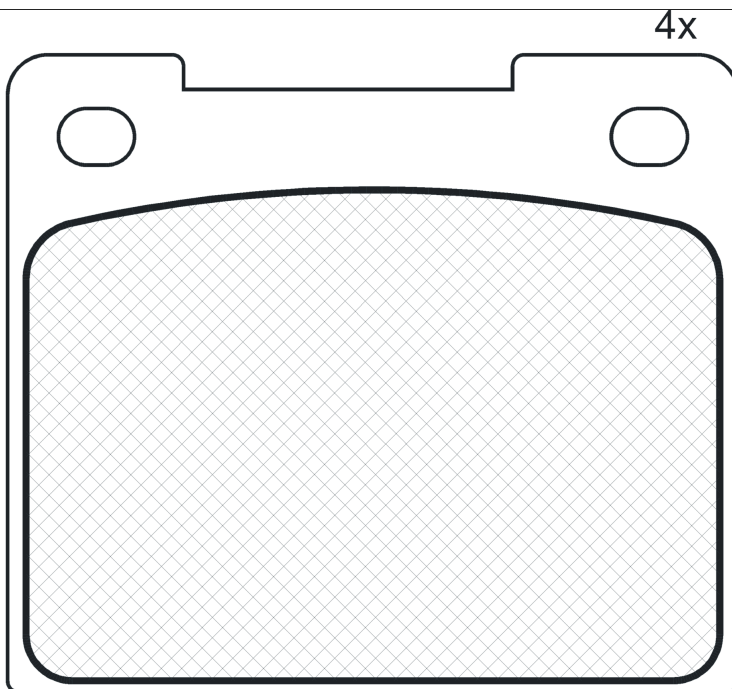
# LISTA DE APLICACIONES - BUYERS GUIDE

## RB0033



Qty: 300      Weight: 700

O.E.M.	MAKE
1 424 023	FORD
1 487 401	FORD
1 540 857	FORD
145319	TRIUMPH
175 764 00	TALBOT
2 701 64	VOLVO
41060-A6925	NISSAN
41060-S0125	NISSAN
4248.93	TALBOT
45250-579-910	HONDA
45260-642-010	HONDA
5 015 923	FORD
5 018 901	FORD
8 231 599 7	LANCIA
GBP90223	LOTUS



## RB0033

**E 9** 90R-01111/2889  
 Lucas - Girling

63.35x55.1x14.4

<b>WVA</b> 20088	<b>FMSI</b> D44-754
---------------------	------------------------

Sin Filas



Trac.	CC	Kw	CV		
Front / Rear					

### FORD

#### CORTINA 10.62-03.72

						<b>Coupé (Executive car-E Segment)</b>		
1200		Gasolina	RWD	1198	34	46	10.62-09.66	*
1200		Gasolina	RWD	1198	35	48	10.62-09.66	*
1500		Gasolina	RWD	1500	43	58	10.62-09.66	*
GT		Gasolina	RWD	1500	56	76	10.62-09.66	*
Lotus		Gasolina	RWD	1558	78	106	10.62-09.70	*
Lotus Spezial		Gasolina	RWD	1594	103	140	10.62-09.66	*

#### CORTINA 10.62-03.72

						<b>Sedán (Executive car-E Segment)</b>		
1200		Gasolina	RWD	1198	34	46	10.62-09.66	*
1500		Gasolina	RWD	1500	43	58	10.62-09.66	*
GT		Gasolina	RWD	1500	56	76	10.62-09.66	*

#### CORTINA Estate 10.62-03.72

						<b>[CAMBIADO]:Break (Executive car-E Segment)</b>		
1200		Gasolina	RWD	1198	34	46	10.62-09.66	*
1200		Gasolina	RWD	1198	35	48	10.62-09.66	*
1500		Gasolina	RWD	1500	43	58	10.62-09.66	*
1500 GT		Gasolina	RWD	1500	56	76	10.62-09.66	*

#### ESCORT I (AFH, ATH) 01.68-02.76

						<b>Sedán (Compact car-C Segment)</b>		
1100 (KL11)		Gasolina	RWD	1098	29	40	06.68-06.71	*
1100 (G1)		Gasolina	RWD	1098	32	45	01.68-12.74	*
1100 (G1)		Gasolina	RWD	1098	33	45	06.68-06.71	*
1100 (G2)		Gasolina	RWD	1098	35	48	06.70-02.76	*
1300 (KL 13 L)		Gasolina	RWD	1298	35	48	06.68-06.71	*
1300 (J2)		Gasolina	RWD	1298	38	52	06.68-06.71	*

# LISTA DE APLICACIONES - BUYERS GUIDE

1300 (J1F)		Gasolina	RWD	1298	40	54	09.73-02.76	*	
1300 (J2)		Gasolina	RWD	1298	42	57	06.70-02.76	*	
1300 GT (KL 13 H)		Gasolina	RWD	1298	47	64	06.68-06.71	*	
1300 (J3D)		Gasolina	RWD	1298	53	72	06.70-02.76	*	
Twin Cam (K5)		Gasolina	RWD	1558	80	109	03.68-08.71	*	
1.6 (TL 16M)		Gasolina	RWD	1593	62	84	08.69-11.74	*	
RS 1600		Gasolina	RWD	1601	84	115	01.70-10.74	*	
RS 1600 (BDA)		Gasolina	RWD	1601	90	122	01.70-10.74	*	
<b>ESCORT I Turnier (ADH) 06.68-03.79</b>							<b>[CAMBIADO]:Break (Compact car-C Segment)</b>		
1100 (KL11)		Gasolina	RWD	1098	29	40	06.68-06.71	*	
1100 (G1)		Gasolina	RWD	1098	32	44	06.70-02.76	*	
1100 (G2)		Gasolina	RWD	1098	35	48	06.70-02.76	*	
1300 (J2)		Gasolina	RWD	1298	42	57	06.70-02.76	*	
<b>HILLMAN</b>									
<b>AVENGER 01.70-</b>							<b>Sedán (Compact car-C Segment)</b>		
1.3 1300		Gasolina	FWD	1295			01.70-	*	
<b>HOLDEN</b>									
<b>TORANA (HB) 05.67-09.69</b>							<b>Sedán (Executive car-E Segment)</b>		
LJ, LC		Gasolina	FWD				05.67-	*	
TA		Gasolina	FWD				05.67-	*	
<b>HONDA</b>									
<b>1300 01.70-</b>							<b>Coupé (Compact car-C Segment)</b>		
1.3 1300		Gasolina	FWD	1295			01.70-	*	
<b>LANCIA</b>									
<b>FLAVIA 01.61-12.71</b>							<b>Coupé (Executive car-E Segment)</b>		
2.0 2000		Gasolina	FWD	1995	55	75	01.61-	*	
<b>FLAVIA II 05.71-12.73</b>							<b>Coupé (Executive car-E Segment)</b>		
2.0 (820)		Gasolina	FWD	1991	85	115	05.71-12.73	*	
<b>FLAVIA II Berlina 05.71-12.74</b>							<b>Sedán (Executive car-E Segment)</b>		
2.0 (819)		Gasolina	FWD	1991	85	115	05.71-12.74	*	
<b>FULVIA (818_) 01.65-12.76</b>							<b>Coupé (Compact car-C Segment)</b>		
1.3 (818.630, 818.650) (138 B.100)		Gasolina	FWD	1298	65	88	09.68-07.75	*	
1.3 (818) (138 B.100)		Gasolina	FWD	1298	66	90	08.70-12.76	*	
1.6 (818) (838 A.100)		Gasolina	FWD	1584	84	114	08.70-12.73	*	
<b>FULVIA Berlina (818_) 12.69-03.75</b>							<b>Sedán (Compact car-C Segment)</b>		
1.2 (818)		Gasolina	FWD	1199	58	79	08.70-12.72	*	
1.3 (818) (138 B.100)		Gasolina	FWD	1298	62	84	08.70-12.72	*	
<b>LOTUS</b>									
<b>ELAN 01.64-</b>							<b>Cabrío (Sports car-S Segment)</b>		
S2, S3, S4 GT		Gasolina	FWD				01.64-	*	
<b>EUROPA 05.70-04.76</b>							<b>Coupé (Sports car-S Segment)</b>		
1.6		Gasolina	RWD	1558	78	106	05.70-04.76	*	
<b>SUPER SEVEN 01.63-</b>							<b>Cabrío (Sports car-S Segment)</b>		
1.6		Gasolina	FWD	1595	65	88	01.63-	*	
<b>NISSAN</b>									

# LISTA DE APLICACIONES - BUYERS GUIDE

<b>SKYLINE V (C210) 03.78-07.81</b>					<b>Sedán (Executive car-E Segment)</b>			
1.8		Gasolina	FWD	1795			03.78-	*
<b>TALBOT</b>								
<b>AVENGER 02.70-07.81</b>					<b>Sedán (Compact car-C Segment)</b>			
1.2		Gasolina	FWD	1195	44	60	02.70-	*
1.3		Gasolina	RWD	1295	44	60	02.70-07.81	*
<b>AVENGER Estate 04.72-07.81</b>					<b>[CAMBIADO]:Break (Compact car-C Segment)</b>			
1.3		Gasolina	RWD	1295	44	60	04.72-07.81	*
<b>RANCHO 08.76-07.84</b>					<b>MPV (LCVs-N1 Segment)</b>			
1.4 (X3Y2)		Gasolina	FWD	1442	59	80	08.76-07.83	*
<b>SIMCA 1100 10.68-01.80</b>					<b>[CAMBIADO]:Fastback (Supermini car-B Segment)</b>			
1.2 Spezial		Gasolina	FWD	1204	55	75	10.71-09.77	*
1.3 Spezial TI (3G4)		Gasolina	FWD	1294	60	82	10.72-09.77	*
<b>SIMCA 1100 Break/Tourisme 10.68-01.80</b>					<b>[CAMBIADO]:Break (Supermini car-B Segment)</b>			
1.3 Spezial		Gasolina	FWD	1280	55	75	07.74-11.76	*
<b>SIMCA 1200 S 10.68-03.72</b>					<b>Coupé (Supermini car-B Segment)</b>			
1.2 (354)		Gasolina	RWD	1204	59	80	10.68-03.72	*
<b>SIMCA SUNBEAM 07.77-03.83</b>					<b>[CAMBIADO]:Fastback (Supermini car-B Segment)</b>			
2.1 Lotus		Gasolina	RWD	2172	110	150	10.79-04.81	*
<b>TRIUMPH</b>								
<b>1300 01.65-12.70</b>					<b>Sedán (Sports car-S Segment)</b>			
1.3		Gasolina	RWD	1296	46	62	01.65-12.70	*
1.3 TC (GE1EH)		Gasolina	RWD	1296	56	76	01.67-12.70	*
<b>HERALD (1RET) 01.61-12.71</b>					<b>Cabrío (Sports car-S Segment)</b>			
1200 (AJM)		Gasolina	RWD	1147	29	39	01.61-10.67	*
13/60		Gasolina	RWD	1296	46	62	01.67-12.71	*
<b>HERALD (1GET) 01.61-12.71</b>					<b>Sedán (Sports car-S Segment)</b>			
1200 (AJM)		Gasolina	RWD	1147	35	48	01.68-12.69	*
1200		Gasolina	RWD	1269	46	62	01.67-12.68	*
13/60		Gasolina	RWD	1296	46	62	01.67-12.71	*
<b>HERALD Estate (1EET) 01.61-12.71</b>					<b>[CAMBIADO]:Break (Sports car-S Segment)</b>			
1200 (AJM)		Gasolina	RWD	1147	29	39	01.61-10.67	*
13/60		Gasolina	RWD	1296	46	62	01.67-12.71	*
<b>SPITFIRE 1500 (FM) 10.62-01.80</b>					<b>Cabrío (Sports car-S Segment)</b>			
1500 (FM11)		Gasolina	RWD	1493	51	69	01.75-01.80	*
<b>SPITFIRE MK I (FC) 10.62-12.65</b>					<b>Cabrío ()</b>			
1.2 MK I (AJM)		Gasolina	RWD	1147	46	63	10.62-12.65	*
<b>SPITFIRE MK II (FD) 12.64-01.67</b>					<b>Cabrío ()</b>			
1.2 (AJM)		Gasolina	RWD	1147	49	67	12.64-01.67	*
<b>SPITFIRE MK III (FD) 09.66-11.70</b>					<b>Cabrío ()</b>			
1.3 (FM3)		Gasolina	RWD	1296	55	75	02.67-11.70	*
<b>SPITFIRE MK IV (FD) 12.70-11.74</b>					<b>Cabrío ()</b>			
1.3		Gasolina	RWD	1296	51	69	12.72-11.74	*
1.3 (FM3)		Gasolina	RWD	1296	55	76	01.71-12.72	*

# LISTA DE APLICACIONES - BUYERS GUIDE

VAUXHALL									
<b>VICTOR 01.67-10.76</b>					<b>Sedán (Executive car-E Segment)</b>				
All models		Gasolina	FWD				01.67-		*
<b>VIVA 01.63-10.79</b>					<b>Sedán (Compact car-C Segment)</b>				
All models		Gasolina	FWD				01.63-		*
1.8 1800		Gasolina	FWD	1795	66	90	01.63-		*
<b>VX 01.69-10.78</b>					<b>Sedán (Executive car-E Segment)</b>				
2000 4/90		Gasolina	RWD	1975	78	106	01.69-10.71		*
VOLVO									
<b>140 (145) 08.66-02.75</b>					<b>[CAMBIADO]:Break (Executive car-E Segment)</b>				
1.8 S (B 18 A)		Gasolina	RWD	1779	55	75	08.66-07.68		*
1.8 S (B 18 B)		Gasolina	RWD	1780	74	101	08.66-07.68		*
2.0 S (B 20 A)		Gasolina	RWD	1986	60	82	08.68-07.74		*
2.0 S (B 20 D)		Gasolina	RWD	1986	70	95	08.72-07.74		*
2.0 S (B 20 B)		Gasolina	RWD	1986	73	100	08.72-07.73		*
2.0 S (B 20 B)		Gasolina	RWD	1986	74	101	08.72-07.74		*
2.0 S		Gasolina	RWD	1986	85	116	09.73-02.75		*
2.0 S (B 20 E)		Gasolina	RWD	1986	91	124	08.72-07.73		*
<b>140 (142, 144) 08.66-08.75</b>					<b>Sedán (Executive car-E Segment)</b>				
1.8 (B 18 A)		Gasolina	RWD	1779	55	75	08.66-07.68		*
1.8 S (B 18 B)		Gasolina	RWD	1780	74	101	07.67-01.72		*
2.0 (B 20 A)		Gasolina	RWD	1986	60	82	08.68-07.74		*
2.0 (B 20 D)		Gasolina	RWD	1986	70	95	08.71-07.72		*
2.0 S (B 20 B)		Gasolina	RWD	1986	74	101	11.68-09.72		*
2.0 S		Gasolina	RWD	1986	85	116	09.72-08.75		*
2.0 (B 20 E)		Gasolina	RWD	1986	91	124	09.70-04.75		*
<b>164 (164) 08.68-04.75</b>					<b>Sedán (Executive car-E Segment)</b>				
2.9 E (B 30 A)		Gasolina	RWD	2978	96	131	08.68-07.73		*
2.9 (B 30 E)		Gasolina	RWD	2978	118	160	08.72-07.74		*
<b>P 1800 (P18) 04.62-11.73</b>					<b>Coupé (Sports car-S Segment)</b>				
2.0 ES (B 20 E)		Gasolina	RWD	1986	91	124	08.69-11.73		*