


LISTA DE APLICACIONES - BUYERS GUIDE

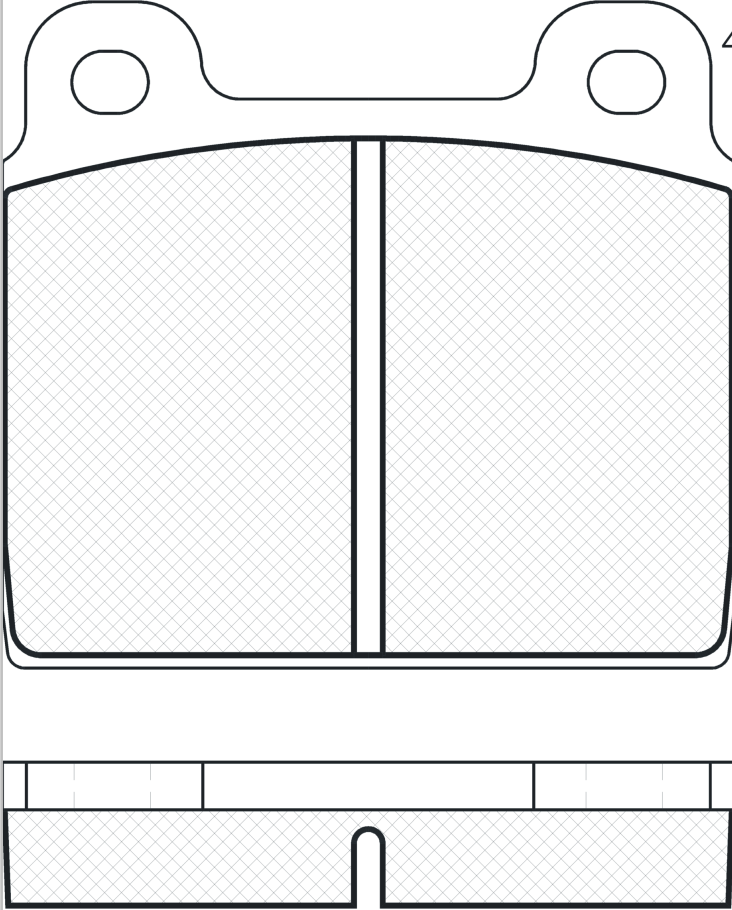
RB0020



8 424073 116086


Qty: 300 Weight: 1.060

O.E.M.	MAKE
000 420 66 20	MERCEDES-BENZ
000 420 67 20	MERCEDES-BENZ
000 586 00 42	MERCEDES-BENZ
0060 713 601 00	ALFA ROMEO
0060 723 584	ALFA ROMEO
0060 723 584 00	ALFA ROMEO
10 514 220 523 030	ALFA ROMEO
10 541 220 520 025	ALFA ROMEO
10 541 220 530 025	ALFA ROMEO
10 541 220 530 030	ALFA ROMEO
10 541 260 031 030	ALFA ROMEO
10 564 220 520 125	ALFA ROMEO
10 564 220 520 225	ALFA ROMEO
108 133	FERRARI
16 05 001	OPEL
16 05 156	OPEL
16 05 513	BEDFORD
211 698 151	VW
211 698 151 A	VW
34 11 1 103 103	BMW
34 11 1 160 171	BMW
34 11 1 660 187	BMW
607 E68 1000	FERRARI
90 017 982	VAUXHALL
901 351 977 00	PORSCHE



4x

RB0020



Ate - Teves

76.6x70x15

WVA	FMSI
20011	D45-734
20383	

Sin Filas



Trac.	CC	Kw	CV
-------	----	----	----



ALFA ROMEO

1750-2000 BERLINA (105_) 03.68-07.75

Sedán (Executive car-E Segment)

Modelo	Trac.	CC	Kw	CV	Rango	*
1.7 (AR 10525)	Gasolina	RWD	1779	80	109 04.68-11.71	*
1750 (105,48) (AR 00548)	Gasolina	RWD	1779	83	113 03.68-10.72	*
2000 (105) (AR 10520)	Gasolina	RWD	1962	97	132 10.71-07.75	*

BERLINA (105_) 09.66-03.77

Sedán (Executive car-E Segment)

1.8	Gasolina	FWD	1795		09.66-	*
2.0	Gasolina	FWD	1995		09.66-	*
2.0	Gasolina	FWD	1995		09.66-	*

COUPE 01.72-12.75

Coupé (Compact executive car-D Segment)

1750 GT Veloce	Gasolina	FWD			01.72-	*
2000 GT Veloce	Gasolina	FWD			01.72-	*

GIULIA (105_) 01.62-03.79

Sedán (Compact executive car-D Segment)

1300 (105) (AR 00506)	Gasolina	RWD	1290	57	78 01.64-08.69	*
1.6 T.I (105) (AR 00112)	Gasolina	RWD	1570	68	92 01.62-12.78	*
1600 Super (105,14) (AR 00526)	Gasolina	RWD	1570	71	97 06.64-08.69	*
1.6 T.I. Super (105) (AR 00516)	Gasolina	RWD	1570	82	112 01.63-12.78	*

GIULIA GT (105_) 01.62-12.80

Coupé (Compact executive car-D Segment)

1600 Sprint (AR 00112)	Gasolina	RWD	1570	67	91 01.62-12.64	*
1600 Sprint (101) (AR 00121)	Gasolina	RWD	1570	83	113 01.63-12.65	*

GIULIA Spider (101_) 03.62-02.69

Cabrió (Compact executive car-D Segment)

1.6 (AR 00112)	Gasolina	RWD	1570	68	92 03.62-12.66	*
----------------	----------	-----	------	----	----------------	---

LISTA DE APLICACIONES - BUYERS GUIDE

1.6 (101.23) (AR 00121)		Gasolina	RWD	1570	82	112	03.62-02.69	*	
1.6 (101.23) (AR 00516)		Gasolina	RWD	1570	82	112	03.62-02.69	*	
GT (105_) 03.63-12.77							Coupé (Compact executive car-D Segment)		
1600 (105) (AR 00526 S)		Gasolina	RWD	1570	75	102	03.63-12.66	*	
1600 (105) (AR 00536)		Gasolina	RWD	1570	80	109	01.66-12.68	*	
A 1600 (105) (AR 10538)		Gasolina	RWD	1570	83	113	01.65-12.70	*	
1.8		Gasolina	FWD	1795			03.63-	*	
2.0		Gasolina	FWD	1995			03.63-	*	
GTV-6 (U.S.A.) 09.80-12.86							Coupé (Compact executive car-D Segment)		
2.5		Gasolina	FWD	2495			09.80-	*	
MONTREAL (105_) 12.72-03.79							Coupé (Sports car-S Segment)		
2.6 (105,64) (AR 10832)		Gasolina	RWD	2593	143	194	12.72-03.79	*	
SPIDER II (105_) 03.66-12.77							Cabrio (Sports car-S Segment)		
1750 (10557) (AR 00548)		Gasolina	RWD	1779	83	113	01.67-12.71	*	
1.8 1800		Gasolina	FWD	1795			03.66-	*	
2000 (10512, 10524) (AR 00512)		Gasolina	RWD	1962	96	131	01.71-12.77	*	
2.0 2000		Gasolina	FWD	1995			03.66-	*	
2.0 2000		Gasolina	FWD	1995			03.66-	*	
2.0 2000		Gasolina	FWD	1995			03.66-	*	
2.0		Gasolina	FWD	1995	81	110	03.66-	*	
SPIDER III (115_) 01.71-12.93							Cabrio (Sports car-S Segment)		
1600 (11535) (AR 00526)		Gasolina	RWD	1570	76	103	03.76-12.90	*	
1600 (115A2) (AR 01563)		Gasolina	RWD	1570	79	107	01.90-12.93	*	
1600 (11507) (AR 00536)		Gasolina	RWD	1570	80	109	03.71-12.79	*	
2.0 (115A1A) (AR 01615)		Gasolina	RWD	1962	81	110	01.74-12.84	*	
2000 (115680, 115681) (AR 01544)		Gasolina	RWD	1962	85	116	08.86-12.90	*	
2000 (115A1A) (AR 01588)		Gasolina	RWD	1962	88	120	01.90-12.93	*	
2000 (11538, 115661) (AR 00515)		Gasolina	RWD	1962	92	125	08.86-12.90	*	
2000 (11538, 115A1) (AR 00515)		Gasolina	RWD	1962	93	126	01.77-12.93	*	
2000 (11538, 115A1) (AR 01590)		Gasolina	RWD	1962	93	126	01.77-12.93	*	
2000		Gasolina	RWD	1962	96	131	01.71-12.77	*	
BEDFORD									
BLITZ / CF 08.69-10.87							[CAMBIADO]:Furgón (LCVs-N1 Segment)		
2.1 D (21D)		Diesel	RWD	2068	44	60	09.81-10.87	*	
BMW									
1500-2000 (115, 116, 118, 121) 10.62-11.72							Sedán (Compact executive car-D Segment)		
2000 Ti / Tilux (M10 B20)		Gasolina	RWD	1990	88	120	01.66-07.72	*	
2.5-3.2 (E9) 09.67-03.76							Coupé (Compact executive car-D Segment)		
2800 CS (M30 B28)		Gasolina	RWD	2788	125	170	01.69-04.71	*	
FERRARI									
208/308 09.74-10.89							Coupé (Sports car-S Segment)		
208 Turbo (F 106 D..)		Gasolina	RWD	1991	162	220	06.82-10.89	*	
308 GTB Qv (XW) (F 105 A..)		Gasolina	RWD	2927	177	240	09.82-06.85	*	
308 GTS Qv (XV) (F 105 A..)		Gasolina	RWD	2927	177	240	09.82-06.85	*	
308 GTB		Gasolina	RWD	2927	188	255	09.75-06.80	*	
308 GTS		Gasolina	RWD	2927	188	255	09.77-06.80	*	

LISTA DE APLICACIONES - BUYERS GUIDE

DINO GT (206/246) 09.66-10.73					Coupé (Sports car-S Segment)			
206 GT		Gasolina	RWD	1987	132	180	02.69-10.69	*
246 GT (FERRARI-FIAT 236 L)		Gasolina	RWD	2419	143	195	10.69-10.73	*
DINO GT4 (208/308) 02.73-06.80					Coupé (Sports car-S Segment)			
208		Gasolina	RWD	1991	125	170	02.75-06.80	*
308		Gasolina	RWD	2927	188	255	02.74-06.80	*
DINO GTS (206/246) 09.68-12.73					Cabrío (Sports car-S Segment)			
246 GTS (FERRARI-FIAT 236 L)		Gasolina	RWD	2419	143	195	04.72-10.73	*
MONDIAL 03.83-12.93					Cabrío (Sports car-S Segment)			
8 Quattrovalvole (F 105 A..)		Gasolina	RWD	2927	177	240	03.84-07.87	*
MONDIAL 07.80-12.93					Coupé (Sports car-S Segment)			
8 (F 106 B..)		Gasolina	RWD	2927	158	214	07.80-09.83	*
8 Quattrovalvole (F 105 A..)		Gasolina	RWD	2927	177	240	10.82-07.87	*
MERCEDES-BENZ								
/8 (W114) 04.69-02.77					Coupé (Executive car-E Segment)			
250 C (114.021) (M 114.920)		Gasolina	RWD	2496	96	130	04.69-06.72	*
250 CE (114.022) (M 114.980)		Gasolina	RWD	2496	110	150	04.69-04.72	*
/8 (W114) 01.68-11.76					Sedán (Executive car-E Segment)			
200 (115.015) (M 115.923)		Gasolina	RWD	1988	63	86	01.68-01.77	*
200 (115.015) (M 115.926)		Gasolina	RWD	1988	63	86	01.68-01.77	*
200 (115.020) (M 115.923)		Gasolina	RWD	1988	70	95	01.68-01.77	*
200 (115.020) (M 115.926)		Gasolina	RWD	1988	70	95	01.68-01.77	*
220 (115.010) (M 115.924)		Gasolina	RWD	2200	66	90	01.68-07.73	*
220 (115.010) (M 115.920)		Gasolina	RWD	2200	77	105	01.68-07.73	*
230.6 (114.015) (M 180.954)		Gasolina	RWD	2292	88	120	01.68-11.76	*
250 (114.010) (M 114.920)		Gasolina	RWD	2496	85	116	01.68-08.72	*
250 (114.024, 114.010) (M 114.920)		Gasolina	RWD	2496	96	130	07.68-08.72	*
250 2.8 (114.011) (M 130.923)		Gasolina	RWD	2778	96	130	06.72-11.76	*
200 D (115.115) (OM 615.913)		Diesel	RWD	1988	40	55	01.68-01.77	*
220 D (115.110) (OM 615.912)		Diesel	RWD	2197	44	60	01.68-01.77	*
240 D (115.117, 115.105, 115.107, 115.108, 115.119) (OM 616.916)		Diesel	RWD	2404	48	65	08.73-01.77	*
CABRIOLET (W111, W112) 09.61-12.71					Cabrío (Luxury car-F Segment)			
280 SE 3.5 (111.025) (M 116.980)		Gasolina	RWD	3499	147	200	04.68-12.71	*
COUPE II (W111, W112) 01.61-12.71					Coupé (Executive car-E Segment)			
220 SEB (111.021) (M 127.984)		Gasolina	RWD	2196	88	120	01.61-12.65	*
250 SE (111.021) (M 129.980)		Gasolina	RWD	2496	110	150	01.65-12.67	*
250 SE (111.021) (M 129.981)		Gasolina	RWD	2496	110	150	01.65-12.67	*
280 SE (111.024) (M 130.980)		Gasolina	RWD	2778	118	160	01.67-12.71	*
280 SE (111.024) (M 130.984)		Gasolina	RWD	2778	118	160	01.67-12.71	*
280 SE 3.5 (111.026) (M 116.980)		Gasolina	RWD	3499	147	200	01.69-12.71	*
HECKFLOSSE (W110) 08.59-02.68					Sedán (Compact executive car-D Segment)			
190 C (110.010) (M 121.924)		Gasolina	RWD	1884	59	80	04.61-08.65	*
200 (110.010) (M 121.940)		Gasolina	RWD	1988	61	83	07.65-02.68	*
200 (M 115.926)		Gasolina	RWD	1988	70	95	07.65-02.68	*
230 (110.011) (M 180.945)		Gasolina	RWD	2281	77	105	07.65-02.68	*
230 (110.011) (M 180.949)		Gasolina	RWD	2281	77	105	07.65-02.68	*
230 (110.002, 110.003) (M 180.950)		Gasolina	RWD	2281	88	120	06.66-12.67	*

LISTA DE APLICACIONES - BUYERS GUIDE

200 D (110.110) (OM 621.918)		Diesel	RWD	1971	40	55	07.65-02.68	*	
190 DC (110.110) (OM 621.912)		Diesel	RWD	1988	40	54	06.61-08.65	*	
HECKFLOSSE (W111, W112) 08.59-01.68					Sedán (Luxury car-F Segment)				
220 SEB (111.014) (M 127.982)		Gasolina	RWD	2180	88	120	08.59-08.65	*	
220 B (111.010) (M 180.940)		Gasolina	RWD	2195	70	95	08.59-08.65	*	
220 SB (111.012) (M 180.941)		Gasolina	RWD	2195	81	110	08.59-08.65	*	
230 S (111.010) (M 180.947)		Gasolina	RWD	2281	88	120	07.65-01.68	*	
230 S (111.010) (M 180.950)		Gasolina	RWD	2281	88	120	07.65-01.68	*	
300 SE (112.014, 112.015) (M 189.984)		Gasolina	RWD	2996	118	160	02.61-02.64	*	
300 SE (112.014, 112.015) (M 189.986)		Gasolina	RWD	2996	118	160	02.61-02.64	*	
300 SE (112.021, 112.023) (M 189.985)		Gasolina	RWD	2996	125	170	02.64-07.65	*	
300 SE (112.021, 112.023) (M 189.987)		Gasolina	RWD	2996	125	170	02.64-07.65	*	
PAGODE (W113) 01.63-12.71					Cabrío (Luxury car-F Segment)				
230 SL (113.042) (M 127.981)		Gasolina	RWD	2306	110	150	01.63-01.67	*	
250 SL (113.043) (M 129.982)		Gasolina	RWD	2496	110	150	01.66-01.68	*	
280 SL (113.044) (M 130.983)		Gasolina	RWD	2780	125	170	01.68-03.71	*	
S-Class (W108, W109) 01.66-08.72					Sedán (Luxury car-F Segment)				
250 S (108.012) (M 108.920)		Gasolina	RWD	2496	96	130	01.66-12.69	*	
250 SE (108.014) (M 129.980)		Gasolina	RWD	2496	110	150	01.66-12.67	*	
280 SE, SEL (108.018, 108.019) (M 130.980)		Gasolina	RWD	2778	118	160	01.68-08.72	*	
300 SEL (109.016) (M 130.981)		Gasolina	RWD	2778	125	170	01.68-08.72	*	
280 S (108.016) (M 130.920)		Gasolina	RWD	2780	103	140	10.67-07.72	*	
280 SE, SEL 3.5 (108.057, 108.058) (M 116.980)		Gasolina	RWD	3499	147	200	03.71-08.72	*	
300 SEL 3.5 (109.056) (M 116.981)		Gasolina	RWD	3499	147	200	01.70-07.72	*	
300 SEL 6.3 (109.018) (M 100.981)		Gasolina	RWD	6332	184	250	03.68-08.72	*	
SL-Class III (R107) 05.71-12.89					Cabrío (Executive car-E Segment)				
350 SL (107.043) (M 116.982)		Gasolina	RWD	3499	143	195	05.71-02.80	*	
350 SL (107.043) (M 116.984)		Gasolina	RWD	3499	143	195	05.71-02.80	*	
SL-Class III (C107) 01.72-08.85					Coupé (Executive car-E Segment)				
350 SLC (107.023) (M 116.982)		Gasolina	RWD	3499	147	200	01.72-02.76	*	
350 SLC (107.023) (M 116.984)		Gasolina	RWD	3499	147	200	01.72-02.76	*	
NISSAN									
LAUREL IV (JC31) 11.80-12.85					Sedán (Executive car-E Segment)				
2.4 (L24)		Gasolina	RWD	2393	83	113	01.81-01.84	*	
OPEL									
ADMIRAL A 04.64-03.69					Sedán (Luxury car-F Segment)				
2.6 S (26 S)		Gasolina	RWD	2605	74	101	04.64-09.65	*	
2.8 S (28 S)		Gasolina	RWD	2784	92	125	10.65-03.69	*	
2.8 HL (28 HL)		Gasolina	RWD	2784	103	140	10.67-03.69	*	
4.6 (46 S)		Gasolina	RWD	4638	140	190	04.65-03.69	*	
ADMIRAL B 03.69-01.78					Sedán (Luxury car-F Segment)				
2.8 S (28 S)		Gasolina	RWD	2784	95	129	03.75-01.78	*	
2.8 S (28 S)		Gasolina	RWD	2784	97	132	03.69-07.75	*	
2.8 (28 H)		Gasolina	RWD	2784	103	140	03.75-07.76	*	
2.8 (28 H)		Gasolina	RWD	2784	107	146	03.69-02.75	*	
2.8 E (28 E)		Gasolina	RWD	2784	118	160	03.75-01.78	*	
2.8 E (28 E)		Gasolina	RWD	2784	121	165	03.69-02.75	*	

LISTA DE APLICACIONES - BUYERS GUIDE

COMMODORE A 08.67-01.72					Coupé (Executive car-E Segment)			
2.5 (25 S)		Gasolina	RWD	2490	85	116	08.67-08.69	*
2.5 (25 SV)		Gasolina	RWD	2490	88	120	08.69-01.72	*
2.5 GS (25 H)		Gasolina	RWD	2490	96	131	08.67-01.72	*
2.5 GS/E (25 E)		Gasolina	RWD	2490	110	150	08.69-01.72	*
2.8 GS (28 HL)		Gasolina	RWD	2784	107	146	05.70-01.72	*
COMMODORE A 08.67-01.72					Sedán (Executive car-E Segment)			
2.5 (25 S)		Gasolina	RWD	2490	85	116	08.67-08.69	*
2.5 (25 SV)		Gasolina	RWD	2490	88	120	08.69-01.72	*
2.5 GS (25 H)		Gasolina	RWD	2490	96	131	08.67-01.72	*
2.5 GS/E (25 E)		Gasolina	RWD	2490	110	150	08.69-01.72	*
2.8 GS (28 HL)		Gasolina	RWD	2784	107	146	05.70-01.72	*
COMMODORE B 01.72-07.78					Coupé (Executive car-E Segment)			
2.5 (25 S)		Gasolina	RWD	2490	85	115	01.72-07.78	*
2.5 GS (25 H)		Gasolina	RWD	2490	96	130	01.72-08.75	*
2.8 GS (28 HC)		Gasolina	RWD	2784	103	140	03.75-07.78	*
2.8 GS (28 HC)		Gasolina	RWD	2784	104	141	12.72-07.78	*
2.8 GS/E (28 HC)		Gasolina	RWD	2784	114	155	03.75-07.78	*
2.8 GS/E (28 E)		Gasolina	RWD	2784	118	160	07.72-02.75	*
2.8 GS/E (28 EC)		Gasolina	RWD	2784	118	160	07.72-02.75	*
COMMODORE B 01.72-07.78					Sedán (Executive car-E Segment)			
2.5 (25 S)		Gasolina	RWD	2490	85	115	01.72-07.78	*
2.5 GS (25 H)		Gasolina	RWD	2490	96	130	01.72-08.75	*
2.8 GS (28 HC)		Gasolina	RWD	2784	103	140	03.75-07.78	*
2.8 GS (28 HC)		Gasolina	RWD	2784	104	141	01.72-07.78	*
2.8 GS/E (28 HC)		Gasolina	RWD	2784	114	155	03.75-07.78	*
2.8 GS/E (28 E)		Gasolina	RWD	2784	118	160	07.72-02.75	*
2.8 GS/E (28 EC)		Gasolina	RWD	2784	118	160	07.72-02.75	*
COMMODORE C (61) 12.80-12.82					[CAMBIADO]:Break (Executive car-E Segment)			
2.5 S (25 S)		Gasolina	RWD	2490	85	115	12.80-12.82	*
2.5 E (25 E)		Gasolina	RWD	2490	96	130	12.80-12.82	*
COMMODORE C (14_, 19_) 08.78-12.82					Sedán (Executive car-E Segment)			
2.5 S (25 S)		Gasolina	RWD	2490	85	115	08.78-12.82	*
2.5 E (25 E)		Gasolina	RWD	2490	96	130	05.81-12.82	*
DIPLOMAT A 03.65-10.67					Coupé (Luxury car-F Segment)			
5.4 (54 S)		Gasolina	RWD	5354	169	230	03.65-10.67	*
DIPLOMAT A 10.64-03.69					Sedán (Luxury car-F Segment)			
4.6 (46 S)		Gasolina	RWD	4638	140	190	10.64-03.69	*
5.4 (54 S)		Gasolina	RWD	5354	169	230	09.66-03.69	*
DIPLOMAT B 03.69-08.78					Sedán (Luxury car-F Segment)			
2.8 (28 HC)		Gasolina	RWD	2784	103	140	09.72-08.78	*
2.8 E (28 E)		Gasolina	RWD	2784	121	165	03.69-02.75	*
5.4 (54 S)		Gasolina	RWD	5354	169	230	03.69-01.78	*
KAPITÄN IV 05.55-12.58					Sedán (Luxury car-F Segment)			
2.5		Gasolina	RWD	2473	55	75	05.55-12.58	*
KAPITÄN P 05.58-12.63					Sedán (Luxury car-F Segment)			
P 2.6 (26 N)		Gasolina	RWD	2605	66	90	05.58-12.63	*

LISTA DE APLICACIONES - BUYERS GUIDE

MONZA (22_) 02.78-08.86					Coupé (Luxury car-F Segment)			
2.0 E (H 20 E)		Gasolina	RWD	1979	85	115	03.83-10.84	*
2.5 E (H 25 E)		Gasolina	RWD	2490	100	136	05.81-08.86	*
2.8 (28 H)		Gasolina	RWD	2784	103	140	02.78-04.81	*
3.0 (30 H)		Gasolina	RWD	2969	110	150	04.78-07.82	*
3.0 GSE (30 E)		Gasolina	RWD	2969	132	180	02.78-08.86	*
REKORD B 08.65-02.67					Coupé (Large family car-D Segment)			
1.9 (19 S)		Gasolina	RWD	1897	66	90	08.65-02.67	*
REKORD C 08.66-12.71					Coupé (Large family car-D Segment)			
1.9 Sprint (19 SH)		Gasolina	RWD	1897	78	106	08.67-12.71	*
2.2 (22 N)		Gasolina	RWD	2239	70	95	08.66-09.69	*
REKORD C 08.66-12.71					Sedán (Large family car-D Segment)			
1.9 Sprint (19 SH)		Gasolina	RWD	1897	78	106	08.67-12.71	*
2.2 (22 N)		Gasolina	RWD	2239	70	95	08.66-09.69	*
SENATOR A (29_) 02.78-08.87					Sedán (Luxury car-F Segment)			
2.0 E (H 20 E)		Gasolina	RWD	1979	85	115	03.83-10.84	*
2.2 E (22 E)		Gasolina	RWD	2197	85	115	11.84-08.87	*
2.5 (25 S)		Gasolina	RWD	2490	85	115	05.78-12.80	*
2.8 (28 H)		Gasolina	RWD	2784	103	140	02.78-04.81	*
3.0 (30 H)		Gasolina	RWD	2969	110	150	04.78-07.82	*
3.0 E (30 E)		Gasolina	RWD	2969	132	180	02.78-12.86	*
PORSCHE								
911 08.82-08.89					Cabrió (Sports car-S Segment)			
3.0 SC (930.10)		Gasolina	RWD	2993	150	204	08.82-07.83	*
3.2 SC Carrera (930.21)		Gasolina	RWD	3164	152	207	10.84-08.89	*
3.2 Carrera Speedster (930.25)		Gasolina	RWD	3164	160	218	08.86-08.89	*
3.2 Carrera Speedster (930.20)		Gasolina	RWD	3164	170	231	08.86-08.89	*
3.2 SC Carrera (930.20)		Gasolina	RWD	3164	170	231	08.83-08.84	*
911 01.63-11.90					Coupé (Sports car-S Segment)			
2.2 T (911.03)		Gasolina	RWD	2195	92	125	01.70-12.72	*
2.2 T (911.06)		Gasolina	RWD	2195	92	125	01.70-12.72	*
2.2 T (911.07)		Gasolina	RWD	2195	92	125	01.70-12.72	*
2.2 T (911.08)		Gasolina	RWD	2195	92	125	01.70-12.72	*
2.3 T (911.57)		Gasolina	RWD	2341	96	130	01.72-12.73	*
2.3 T (911.67)		Gasolina	RWD	2341	96	130	01.72-12.73	*
2.3 T (911.51)		Gasolina	RWD	2341	103	140	08.71-12.73	*
2.3 T (911.61)		Gasolina	RWD	2341	103	140	08.71-12.73	*
2.3 T (911.91)		Gasolina	RWD	2341	103	140	08.71-12.73	*
2.3 T (911.96)		Gasolina	RWD	2341	103	140	08.71-12.73	*
2.3 E (911.52)		Gasolina	RWD	2341	121	165	08.71-12.73	*
2.3 E (911.62)		Gasolina	RWD	2341	121	165	08.71-12.73	*
2.3 S (911.53)		Gasolina	RWD	2341	140	190	08.71-08.73	*
2.3 S (911.63)		Gasolina	RWD	2341	140	190	08.71-08.73	*
2.7 (911.41)		Gasolina	RWD	2687	110	150	09.73-08.75	*
2.7 (911.46)		Gasolina	RWD	2687	110	150	09.73-08.75	*
2.7 (911.92)		Gasolina	RWD	2687	110	150	09.73-08.75	*
2.7 (911.97)		Gasolina	RWD	2687	110	150	09.73-08.75	*
2.7 (911.43)		Gasolina	RWD	2687	121	165	09.75-06.77	*
2.7 (911.48)		Gasolina	RWD	2687	121	165	09.75-06.77	*

LISTA DE APLICACIONES - BUYERS GUIDE

2.7 (911.81)		Gasolina	RWD	2687	121	165	09.75-06.77	*
2.7 (911.82)		Gasolina	RWD	2687	121	165	09.75-06.77	*
2.7 (911.84)		Gasolina	RWD	2687	121	165	09.75-06.77	*
2.7 (911.85)		Gasolina	RWD	2687	121	165	09.75-06.77	*
2.7 (911.86)		Gasolina	RWD	2687	121	165	09.75-06.77	*
2.7 (911.89)		Gasolina	RWD	2687	121	165	09.75-06.77	*
2.7 (911.90)		Gasolina	RWD	2687	121	165	09.75-06.77	*
2.7 (911.94)		Gasolina	RWD	2687	121	165	09.75-06.77	*
2.7 (911.99)		Gasolina	RWD	2687	121	165	09.75-06.77	*
2.7 S Carrera (911.42)		Gasolina	RWD	2687	129	175	08.73-01.76	*
2.7 S Carrera (911.47)		Gasolina	RWD	2687	129	175	08.73-01.76	*
2.7 S Carrera (911.93)		Gasolina	RWD	2687	129	175	08.73-01.76	*
2.7 S Carrera (911.98)		Gasolina	RWD	2687	129	175	08.73-01.76	*
2.7 SC Carrera RS (911.83)		Gasolina	RWD	2687	154	209	08.72-01.79	*
3.0 SC Carrera (930.03)		Gasolina	RWD	2993	132	180	07.77-06.80	*
3.0 SC Carrera (930.13)		Gasolina	RWD	2993	132	180	07.77-06.80	*
3.0 SC Carrera (930.09)		Gasolina	RWD	2993	138	188	09.79-06.80	*
3.0 SC Carrera (930.19)		Gasolina	RWD	2993	138	188	09.79-06.80	*
3.0 SC Carrera (930.02)		Gasolina	RWD	2993	147	200	09.75-06.77	*
3.0 SC Carrera (930.12)		Gasolina	RWD	2993	147	200	09.75-06.77	*
3.0 SC (930.10)		Gasolina	RWD	2993	150	204	08.80-07.83	*
3.0 SC Carrera (930.12)		Gasolina	RWD	2993	154	209	03.74-10.83	*
3.2 SC Carrera (930.21)		Gasolina	RWD	3164	152	207	02.84-06.87	*
3.2 (930.25)		Gasolina	RWD	3164	160	218	08.86-08.89	*
3.2 SC Carrera (930.20)		Gasolina	RWD	3164	170	231	08.83-08.89	*
3.2 SC Carrera (930.26)		Gasolina	RWD	3164	170	231	08.83-08.89	*
911 11.64-11.90							Targa (Sports car-S Segment)	
2.2 T (911.06)		Gasolina	RWD	2195	92	125	01.70-12.72	*
2.2 E (911.01)		Gasolina	RWD	2195	114	155	09.69-02.72	*
2.2 E (911.04)		Gasolina	RWD	2195	114	155	09.69-02.72	*
2.2 S (911.02)		Gasolina	RWD	2195	132	180	09.69-02.72	*
2.3 T (911.57)		Gasolina	RWD	2341	96	130	01.72-12.73	*
2.3 T (911.67)		Gasolina	RWD	2341	96	130	01.72-12.73	*
2.3 E (911.52)		Gasolina	RWD	2341	121	165	08.71-12.73	*
2.3 E (911.62)		Gasolina	RWD	2341	121	165	08.71-12.73	*
2.3 S (911.53)		Gasolina	RWD	2341	140	190	09.71-08.73	*
2.3 S (911.63)		Gasolina	RWD	2341	140	190	09.71-08.73	*
2.7 (911.41)		Gasolina	RWD	2687	110	150	09.73-08.75	*
2.7 (911.46)		Gasolina	RWD	2687	110	150	09.73-08.75	*
2.7 (911.92)		Gasolina	RWD	2687	110	150	09.73-08.75	*
2.7 (911.97)		Gasolina	RWD	2687	110	150	09.73-08.75	*
2.7 (911.43)		Gasolina	RWD	2687	121	165	09.75-06.77	*
2.7 (911.48)		Gasolina	RWD	2687	121	165	09.75-06.77	*
2.7 (911.81)		Gasolina	RWD	2687	121	165	09.75-06.77	*
2.7 (911.82)		Gasolina	RWD	2687	121	165	09.75-06.77	*
2.7 (911.84)		Gasolina	RWD	2687	121	165	09.75-06.77	*
2.7 (911.85)		Gasolina	RWD	2687	121	165	09.75-06.77	*
2.7 (911.86)		Gasolina	RWD	2687	121	165	09.75-06.77	*
2.7 (911.89)		Gasolina	RWD	2687	121	165	09.75-06.77	*
2.7 (911.90)		Gasolina	RWD	2687	121	165	09.75-06.77	*
2.7 (911.94)		Gasolina	RWD	2687	121	165	09.75-06.77	*

LISTA DE APLICACIONES - BUYERS GUIDE

2.7 (911.99)		Gasolina	RWD	2687	121	165	09.75-06.77	*
2.7 S (911.42)		Gasolina	RWD	2687	129	175	08.73-01.76	*
2.7 S (911.47)		Gasolina	RWD	2687	129	175	08.73-01.76	*
2.7 S (911.93)		Gasolina	RWD	2687	129	175	08.73-01.76	*
2.7 S (911.98)		Gasolina	RWD	2687	129	175	08.73-01.76	*
2.7 SC Carrera RS (911.83)		Gasolina	RWD	2687	154	209	08.72-01.79	*
3.0 SC Carrera (930.03)		Gasolina	RWD	2993	132	180	07.77-06.80	*
3.0 SC Carrera (930.13)		Gasolina	RWD	2993	132	180	07.77-06.80	*
3.0 SC Carrera (930.09)		Gasolina	RWD	2993	138	188	09.79-06.80	*
3.0 SC Carrera (930.19)		Gasolina	RWD	2993	138	188	09.79-06.80	*
3.0 SC Carrera (930.02)		Gasolina	RWD	2993	147	200	09.75-06.77	*
3.0 SC Carrera (930.12)		Gasolina	RWD	2993	147	200	09.75-06.77	*
912 01.65-02.70					Coupé (Sports car-S Segment)			
1.6 (616.36)		Gasolina	RWD	1582	66	90	01.65-12.69	*
1.6 (616.39)		Gasolina	RWD	1582	66	90	01.65-12.69	*
1.6 (616.40)		Gasolina	RWD	1582	66	90	01.65-12.69	*
912 03.65-02.70					Targa (Sports car-S Segment)			
1.6 (616.36)		Gasolina	RWD	1582	66	90	03.65-02.70	*
1.6 (616.39)		Gasolina	RWD	1582	66	90	03.65-02.70	*
1.6 (616.40)		Gasolina	RWD	1582	66	90	03.65-02.70	*
VAUXHALL								
ROYALE 02.78-08.86					Coupé (Luxury car-F Segment)			
2.8 (28 H)		Gasolina	RWD	2784	103	140	10.79-10.82	*
3.0 (30 E)		Gasolina	RWD	2969	132	180	10.79-10.82	*
ROYALE 02.78-08.87					Sedán (Luxury car-F Segment)			
2.8 (28 H)		Gasolina	RWD	2784	103	140	02.78-04.81	*
2.2 TD		Diesel	RWD	2260	63	86	11.84-08.87	*
SENATOR MK I 02.78-08.87					Sedán (Luxury car-F Segment)			
2.5 i (25 E)		Gasolina	RWD	2490	103	140	09.84-08.87	*
3.0 i (30 E)		Gasolina	RWD	2968	132	180	09.84-12.86	*
VICEROY 01.80-10.82					Sedán (Executive car-E Segment)			
2500 (25 S)		Gasolina	RWD	2490	85	115	01.80-10.82	*
VW								
TRANSPORTER T2 (21, 23) 08.68-07.79					[CAMBIADO]:Furgón (LCVs-N1 Segment)			
1.6 (AD)		Gasolina	RWD	1584	37	50	08.70-07.79	*
1.6 (AS)		Gasolina	RWD	1584	37	50	08.70-07.79	*
1.7 (CA)		Gasolina	RWD	1679	49	67	08.71-12.73	*
1.7 (CB)		Gasolina	RWD	1679	49	67	08.71-12.73	*
TRANSPORTER T2 (22, 23, 24) 08.67-09.79					Bus (Minibus-M2-Segment)			
1.6 (AF)		Gasolina	RWD	1584	34	47	08.67-07.70	*
1.6 (AD)		Gasolina	RWD	1584	37	50	08.70-04.79	*
1.6 (AH)		Gasolina	RWD	1584	37	50	08.70-04.79	*
1.6 (AS)		Gasolina	RWD	1584	37	50	08.70-04.79	*
1.7 (CA)		Gasolina	RWD	1679	49	66	08.71-10.73	*
1.7 (CB)		Gasolina	RWD	1679	49	66	08.71-10.73	*
TRANSPORTER T2 (21, 26) 08.68-07.79					Caja/Chasis (LCVs-N1 Segment)			
1.6 (AD)		Gasolina	RWD	1584	37	50	08.68-07.79	*
1.6 (AS)		Gasolina	RWD	1584	37	50	08.68-07.79	*

LISTA DE APLICACIONES - BUYERS GUIDE