

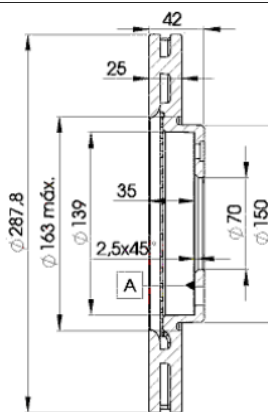
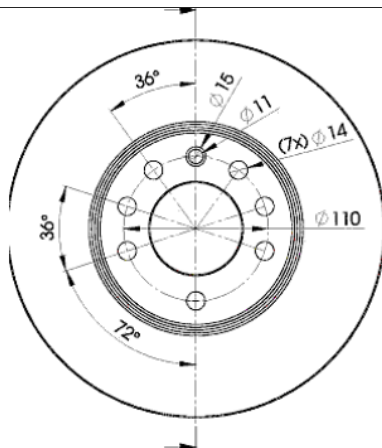
LISTA DE APLICACIONES - BUYERS GUIDE

78RBD29043



Weight: 15.524

O.E.M.	MAKE
48 01 584	OPEL
48 37 019	SAAB
48 39 007	SAAB
48 39 320	SAAB
5 69 056	OPEL
53 90 786	SAAB
90 496 327	VAUXHALL
90 512 029	VAUXHALL
93 177 674	VAUXHALL
B117J-0028F	LOTUS



78RBD29043

E1 90R-02C0452/0083



Ø288x25x42

Sin Filas



Trac.	CC	Kw	CV
-------	----	----	----



Front / Rear

CHEVROLET

VECTRA 03.96-11.06					Sedán (Large family car-D Segment)			
2.0 (LE4(122CUL4))	Gasolina	FWD	1998	81	110	03.96-12.05	*	
2.2 (L06)	Gasolina	FWD	2198	91	124	05.98-07.04	*	
2.2 Elegance (LA9)	Gasolina	FWD	2198	101	137	12.97-06.05	*	
2.2 (LA9)	Gasolina	FWD	2198	102	139	05.98-12.05	*	

LOTUS

ELISE II 11.00-					Cabrío (Sports car-S Segment)			
1.8 (18 K4F)	Gasolina	RWD	1796	90	122	11.00-08.05	*	
1.8 (2ZZ-GE)	Gasolina	RWD	1796	118	160	05.02-	*	
1.8 (2ZZ-GE)	Gasolina	RWD	1796	140	190	11.02-10.13	*	

OPEL

CALIBRA (C89) 08.89-07.97					Coupé (Sports car-S Segment)			
2.0 i Turbo 4x4 (M07) (C 20 LET)	Gasolina	4WD	1998	150	204	08.91-07.97	*	
2.5 i V6 (M07) (C 25 XE)	Gasolina	FWD	2498	125	170	04.93-07.97	*	
2.5 i V6 (M07) (X 25 XE)	Gasolina	FWD	2498	125	170	04.93-07.97	*	

SPEEDSTER (E01) 06.00-08.06					Cabrío (Sports car-S Segment)			
2.0 Turbo (R97) (Z 20 LET)	Gasolina	RWD	1998	147	200	08.02-08.06	*	
2.0	Gasolina	FWD	1998	162	220	10.03-08.06	*	
2.2 (R97) (Z 22 SE)	Gasolina	RWD	2198	108	147	06.00-08.05	*	

VECTRA B (J96) 11.96-07.03					[CAMBIADO]:Break (Large family car-D Segment)			
1.6 i (F35) (X 16 SZR)	Gasolina	FWD	1598	55	75	11.96-06.00	*	
1.6 i (F35) (16 LZ2)	Gasolina	FWD	1598	55	75	11.96-06.00	*	

LISTA DE APLICACIONES - BUYERS GUIDE

1.6 i 16V (F35) (X 16 XEL)		Gasolina	FWD	1598	74	100	11.96-07.02	*
1.6 i 16V (F35) (Y 16 XE)		Gasolina	FWD	1598	74	100	11.96-07.02	*
1.6 i 16V (F35) (Z 16 XE)		Gasolina	FWD	1598	74	100	11.96-07.02	*
1.8 i 16V (F35) (X 18 XE1)		Gasolina	FWD	1796	85	115	11.96-09.00	*
1.8 i 16V (F35) (Z 18 XEL)		Gasolina	FWD	1796	85	115	11.96-09.00	*
1.8 i 16V (F35) (Z 18 XE)		Gasolina	FWD	1796	92	125	09.00-07.03	*
1.8 i 16V (F35) (X 18 XE)		Gasolina	FWD	1799	85	116	11.96-09.00	*
2.0 i (F35) (20 NEJ)		Gasolina	FWD	1998	82	112	11.96-02.02	*
2.0 i 16V (F35) (C 20 SEL)		Gasolina	FWD	1998	85	116	07.00-07.03	*
2.0 i 16V (F35) (C 20 SEL)		Gasolina	FWD	1998	100	136	11.96-06.00	*
2.0 i 16V (F35) (X 20 XEV)		Gasolina	FWD	1998	100	136	11.96-06.00	*
2.2 i 16V (F35) (C 22 SEL)		Gasolina	FWD	2198	102	139	07.00-07.02	*
2.2 i 16V (F35) (Z 22 SE)		Gasolina	FWD	2198	108	147	09.00-07.03	*
2.5 i V6 (F35) (X 25 XE)		Gasolina	FWD	2498	125	170	11.96-09.00	*
i 500 2.5 (F35) (X 25 XE)		Gasolina	FWD	2498	143	194	05.98-09.00	*
2.6 i V6 (F35) (Y 26 SE)		Gasolina	FWD	2597	125	170	09.00-07.03	*
1.7 TD (F35) (X 17 DT (TC4EE1))		Diesel	FWD	1686	60	82	11.96-12.97	*
2.0 DI 16V (F35) (X 20 DTL)		Diesel	FWD	1995	60	82	11.96-06.00	*
2.0 DTI 16V (F35) (X 20 DTH)		Diesel	FWD	1995	74	101	06.97-07.03	*
2.0 DTI 16V (F35) (Y 20 DTH)		Diesel	FWD	1995	74	101	06.97-07.03	*
2.2 DTI 16V (F35) (Y 22 DTR)		Diesel	FWD	2172	88	120	09.00-04.02	*
2.2 DTI 16V (F35) (Y 22 DTR)		Diesel	FWD	2172	92	125	09.00-07.03	*
VECTRA B (J96) 09.95-07.03							[CAMBIADO]:Fastback (Large family car-D Segment)	
1.6 i (F68) (X 16 SZR)		Gasolina	FWD	1598	55	75	10.95-07.03	*
1.6 i (F68) (16 LZ2)		Gasolina	FWD	1598	55	75	10.95-07.03	*
1.6 i 16V (F68) (X 16 XEL)		Gasolina	FWD	1598	74	101	10.95-07.02	*
1.6 i 16V (F68) (Y 16 XE)		Gasolina	FWD	1598	74	101	10.95-07.02	*
1.6 i 16V (F68) (Z 16 XE)		Gasolina	FWD	1598	74	101	10.95-07.02	*
1.8 i 16V (F68) (X 18 XE1)		Gasolina	FWD	1796	85	116	10.95-09.00	*
1.8 i 16V (F68) (Z 18 XEL)		Gasolina	FWD	1796	85	116	10.95-09.00	*
1.8 i 16V (F68) (Z 18 XE)		Gasolina	FWD	1796	92	125	09.00-07.03	*
1.8 i 16V (F68) (X 18 XE)		Gasolina	FWD	1799	85	116	10.95-09.00	*
2.0 i (F68) (20 NEJ)		Gasolina	FWD	1998	82	112	10.95-02.02	*
2.0 i 16V (F68) (C 20 SEL)		Gasolina	FWD	1998	85	116	07.00-07.03	*
2.0 i 16V (F68) (C 20 SEL)		Gasolina	FWD	1998	100	136	09.95-06.00	*
2.0 i 16V (F68) (X 20 XEV)		Gasolina	FWD	1998	100	136	09.95-06.00	*
2.2 i 16V (F68) (C 22 SEL)		Gasolina	FWD	2198	102	139	07.00-07.02	*
2.2 i 16V (F68) (Z 22 SE)		Gasolina	FWD	2198	108	147	09.00-07.03	*
2.5 i V6 (F68) (X 25 XE)		Gasolina	FWD	2498	125	170	10.95-09.00	*
2.5 (F68) (X 25 XE)		Gasolina	FWD	2498	144	196	10.99-06.00	*
2.6 i V6 (F68) (Y 26 SE)		Gasolina	FWD	2597	125	170	09.00-07.03	*
1.8 FlexFuel (F68) (X 18 XE)		Gasol./Gas (LPG)	FWD	1799	85	116	01.99-09.00	*
2.0 DI 16V (F68) (X 20 DTL)		Diesel	FWD	1995	60	82	11.96-06.00	*
2.0 DTI 16V (F68) (X 20 DTH)		Diesel	FWD	1995	74	101	06.97-07.03	*
2.0 DTI 16V (F68) (Y 20 DTH)		Diesel	FWD	1995	74	101	06.97-07.03	*
2.2 DTI 16V (F68) (Y 22 DTR)		Diesel	FWD	2172	88	120	09.00-04.02	*
2.2 DTI 16V (F68) (Y 22 DTR)		Diesel	FWD	2172	92	125	09.00-07.03	*
VECTRA B (J96) 09.95-07.04							Sedán (Large family car-D Segment)	
1.6 i (F19) (X 16 SZR)		Gasolina	FWD	1598	55	75	10.95-04.02	*
1.6 i (F19) (16 LZ2)		Gasolina	FWD	1598	55	75	10.95-04.02	*

LISTA DE APLICACIONES - BUYERS GUIDE

1.6 i 16V (F19) (X 16 XEL)		Gasolina	FWD	1598	74	100	10.95-04.02	*
1.6 i 16V (F19) (Y 16 XE)		Gasolina	FWD	1598	74	100	10.95-04.02	*
1.6 i 16V (F19) (Z 16 XE)		Gasolina	FWD	1598	74	100	10.95-04.02	*
1.8 i 16V (F19) (X 18 XE1)		Gasolina	FWD	1796	85	115	10.95-09.00	*
1.8 i 16V (F19) (Z 18 XEL)		Gasolina	FWD	1796	85	115	10.95-09.00	*
1.8 i 16V (F19) (Z 18 XE)		Gasolina	FWD	1796	92	125	09.00-04.02	*
1.8 i 16V (F19) (X 18 XE)		Gasolina	FWD	1799	85	116	10.95-09.00	*
2.0 i (F19) (20 NEJ)		Gasolina	FWD	1998	82	112	10.95-04.02	*
2.0 i 16V (F19) (C 20 SEL)		Gasolina	FWD	1998	100	136	09.95-06.00	*
2.0 i 16V (F19) (X 20 XEV)		Gasolina	FWD	1998	100	136	09.95-06.00	*
2.2 i 16V (F19) (C 22 SEL)		Gasolina	FWD	2198	102	139	07.00-07.02	*
2.2 i 16V (F19) (Z 22 SE)		Gasolina	FWD	2198	108	147	09.00-04.02	*
2.5 i V6 (F19) (X 25 XE)		Gasolina	FWD	2498	125	170	10.95-09.00	*
i 500 2.5 (F19) (X 25 XE)		Gasolina	FWD	2498	143	194	05.98-09.00	*
2.6 i V6 (F19) (Y 26 SE)		Gasolina	FWD	2597	125	170	09.00-04.02	*
2.0 DI 16V (F19) (X 20 DTL)		Diesel	FWD	1995	60	82	11.96-04.02	*
2.0 DTI 16V (F19) (X 20 DTH)		Diesel	FWD	1995	74	101	06.97-04.02	*
2.0 DTI 16V (F19) (Y 20 DTH)		Diesel	FWD	1995	74	101	06.97-04.02	*
2.2 DTI 16V (F19) (Y 22 DTR)		Diesel	FWD	2172	88	120	09.00-04.02	*
2.2 DTI 16V (F19) (Y 22 DTR)		Diesel	FWD	2172	92	125	09.00-04.02	*
SAAB								
900 06.78-06.94					[CAMBIADO]:Fastback (Compact executive car-D Segment)			
2.0 Turbo-16 (B202L)		Gasolina	FWD	1985	132	180	01.93-06.94	*
900 II 07.93-04.99					[CAMBIADO]:Fastback (Compact executive car-D Segment)			
2.0 i (B204I)		Gasolina	FWD	1985	96	131	08.94-02.98	*
2.0 i (B206I)		Gasolina	FWD	1985	98	133	07.93-07.94	*
2.0 -16 Turbo (B204L)		Gasolina	FWD	1985	136	185	07.93-02.98	*
2.3 -16 (B234I)		Gasolina	FWD	2290	110	150	07.93-02.98	*
2.5 -24 V6 (B258I)		Gasolina	FWD	2498	125	170	07.93-02.98	*
900 II 09.93-04.99					Cabrió (Compact executive car-D Segment)			
2.0 i (B204I)		Gasolina	FWD	1985	96	131	12.93-02.98	*
2.0 -16 Turbo (B204L)		Gasolina	FWD	1985	136	185	12.93-02.98	*
2.3 -16 (B234I)		Gasolina	FWD	2290	110	150	12.93-02.98	*
2.5 -24 V6 (B258I)		Gasolina	FWD	2498	125	170	12.93-02.98	*
900 II 12.93-04.99					Coupé (Compact executive car-D Segment)			
2.0 i (B204I)		Gasolina	FWD	1985	96	131	08.94-02.98	*
2.0 i (B206I)		Gasolina	FWD	1985	98	133	12.93-07.94	*
2.0 -16 Turbo (B204L)		Gasolina	FWD	1985	136	185	12.93-02.98	*
2.3 -16 (B234I)		Gasolina	FWD	2290	110	150	12.93-02.98	*
2.5 -24 V6 (B258I)		Gasolina	FWD	2498	125	170	12.93-02.98	*
9-3 (YS3D) 02.98-08.03					[CAMBIADO]:Fastback (Compact executive car-D Segment)			
2.0 i (B204I)		Gasolina	FWD	1985	96	131	02.98-09.02	*
2.0 Turbo (B205E)		Gasolina	FWD	1985	110	150	03.99-09.02	*
2.0 Turbo (B204E)		Gasolina	FWD	1985	113	154	10.98-09.02	*
2.0 Turbo (B204L)		Gasolina	FWD	1985	136	185	02.98-09.02	*
2.0 Turbo (B205E)		Gasolina	FWD	1985	136	185	02.98-09.02	*
2.0 Turbo (B205L)		Gasolina	FWD	1985	136	185	02.98-09.02	*
2.0 SE Turbo (B204R)		Gasolina	FWD	1985	147	200	02.98-09.02	*

LISTA DE APLICACIONES - BUYERS GUIDE

2.0 Turbo (B205R)		Gasolina	FWD	1985	151	205	10.99-09.02	*	
2.3 i (B234I)		Gasolina	FWD	2290	110	150	02.98-09.02	*	
2.3 Turbo (B235R)		Gasolina	FWD	2290	165	224	10.98-09.02	*	
2.3 (B235R)		Gasolina	FWD	2290	169	230	09.99-01.02	*	
2.2 TiD (D223L)		Diesel	FWD	2171	85	115	02.98-11.00	*	
2.2 TiD (X 22 DTH)		Diesel	FWD	2171	85	115	02.98-11.00	*	
2.2 TiD (D223L)		Diesel	FWD	2171	92	125	11.00-09.02	*	
9-3 (YS3D) 02.98-08.03							Cabrió (Compact executive car-D Segment)		
2.0 i (B204I)		Gasolina	FWD	1985	96	131	02.98-08.03	*	
2.0 Turbo (B205E)		Gasolina	FWD	1985	110	150	01.01-08.03	*	
2.0 Turbo (B204E)		Gasolina	FWD	1985	113	154	10.98-08.03	*	
2.0 Turbo (B204L)		Gasolina	FWD	1985	136	185	02.98-08.03	*	
2.0 Turbo (B205E)		Gasolina	FWD	1985	136	185	02.98-08.03	*	
2.0 Turbo (B205L)		Gasolina	FWD	1985	136	185	02.98-08.03	*	
2.0 SE Turbo (B204R)		Gasolina	FWD	1985	147	200	02.98-08.03	*	
2.0 Turbo (B205R)		Gasolina	FWD	1985	151	205	10.99-08.03	*	
2.3 i (B234I)		Gasolina	FWD	2290	110	150	02.98-08.03	*	
2.3 Turbo (B235R)		Gasolina	FWD	2290	165	224	10.99-08.03	*	
2.3 (B235R)		Gasolina	FWD	2290	169	230	09.99-01.02	*	
9-5 (YS3E) 10.98-12.09							[CAMBIADO]:Break (Executive car-E Segment)		
2.0 T (B205E)		Gasolina	FWD	1985	110	150	10.98-12.09	*	
2.0 T (B205L)		Gasolina	FWD	1985	136	185	07.00-07.01	*	
2.0 T (B205E)		Gasolina	FWD	1985	141	192	10.98-07.00	*	
2.3 T (B235E)		Gasolina	FWD	2290	125	170	10.98-12.09	*	
2.3 T (B235E)		Gasolina	FWD	2290	136	185	01.01-12.09	*	
2.3 Turbo (B235L)		Gasolina	FWD	2290	162	220	07.03-12.09	*	
2.3 Turbo (B235R)		Gasolina	FWD	2290	169	230	10.99-09.01	*	
2.3 Turbo (B235R)		Gasolina	FWD	2290	184	250	09.01-12.09	*	
2.3 Turbo (B235R)		Gasolina	FWD	2290	191	260	01.06-12.09	*	
3.0 V6t (B308E)		Gasolina	FWD	2962	147	200	10.98-08.05	*	
2.0 t Biopower (B205E)		Gasol./Etanol	FWD	1985	110	150	01.06-12.09	*	
2.0 t Biopower (B205E)		Gasol./Etanol	FWD	1985	132	179	09.05-12.09	*	
2.3 t BioPower (B235E)		Gasol./Etanol	FWD	2290	136	185	01.07-12.09	*	
2.3 t BioPower (B235R)		Gasol./Etanol	FWD	2290	152	207	11.06-12.09	*	
1.9 TiD (Z 19 DTH)		Diesel	FWD	1910	110	150	01.06-12.09	*	
1.9 TiD (Z 19 DTR)		Diesel	FWD	1910	129	175	01.07-12.09	*	
2.2 TiD (D223L)		Diesel	FWD	2171	88	120	03.02-12.09	*	
3.0 TiD (D308L)		Diesel	FWD	2958	130	177	07.01-08.05	*	
9-5 (YS3E) 09.97-12.11							Sedán (Executive car-E Segment)		
2.0 T (B205E)		Gasolina	FWD	1985	110	150	09.97-12.09	*	
2.0 T (B205L)		Gasolina	FWD	1985	136	185	07.00-12.09	*	
2.0 Turbo SE (B205E)		Gasolina	FWD	1985	141	192	10.98-07.00	*	
2.3 T (B235E)		Gasolina	FWD	2290	125	170	09.97-12.03	*	
2.3 Turbo (B235E)		Gasolina	FWD	2290	134	182	04.08-12.09	*	
2.3 T (B235E)		Gasolina	FWD	2290	136	185	01.01-12.09	*	
2.3 Turbo (B235L)		Gasolina	FWD	2290	162	220	07.03-12.09	*	
2.3 Turbo (B235R)		Gasolina	FWD	2290	169	230	10.99-09.01	*	
2.3 Turbo (B235R)		Gasolina	FWD	2290	184	250	09.01-12.09	*	

LISTA DE APLICACIONES - BUYERS GUIDE

2.3 Turbo (B235R)		Gasolina	FWD	2290	188	256	04.08-12.09	*
2.3 Turbo (B235R)		Gasolina	FWD	2290	191	260	11.05-12.09	*
2.3 Turbo (B235R)		Gasolina	FWD	2290	224	305	06.03-08.05	*
3.0 V6t (B308E)		Gasolina	FWD	2962	147	200	01.98-08.05	*
2.0 t Biopower (B205E)		Gasol./Etanol	FWD	1985	110	150	01.05-12.09	*
2.0 t Biopower (B205E)		Gasol./Etanol	FWD	1985	132	179	09.05-12.09	*
2.3 t BioPower (B235E)		Gasol./Etanol	FWD	2290	136	185	01.07-12.09	*
2.3 t BioPower (B235R)		Gasol./Etanol	FWD	2290	152	207	11.06-12.09	*
1.9 TiD (Z 19 DTH)		Diesel	FWD	1910	110	150	01.06-12.09	*
2.2 TiD (D223L)		Diesel	FWD	2171	88	120	03.02-12.09	*
3.0 TiD (D308L)		Diesel	FWD	2958	130	177	07.01-08.05	*
VAUXHALL								
CALIBRA (C89) 06.90-07.97					Coupé (Sports car-S Segment)			
2.0 i Turbo 4x4 (C 20 LET)		Gasolina	4WD	1998	150	204	03.92-07.97	*
2.5 i V6 (C 25 XE)		Gasolina	FWD	2498	125	170	04.93-07.97	*
2.5 i V6 (X 25 XE)		Gasolina	FWD	2498	125	170	04.93-07.97	*
SPEEDSTER (E01) 03.01-09.06					Cabrio (Sports car-S Segment)			
VXR20		Gasolina	FWD	1998	162	220	03.01-09.06	*
VECTRA (B) (J96) 08.95-03.02					[CAMBIADO]:Break (Large family car-D Segment)			
1.6 i		Gasolina	FWD	1598	55	75	11.96-03.02	*
1.6 i 16V		Gasolina	FWD	1598	74	100	11.96-03.02	*
1.8 i 16V (F35) (X 18 XE1)		Gasolina	FWD	1796	85	115	11.96-09.00	*
1.8 i 16V (F35) (Z 18 XE)		Gasolina	FWD	1796	92	125	09.00-03.02	*
1.8 i 16V (F35) (X 18 XE)		Gasolina	FWD	1799	85	116	09.96-09.00	*
2.0 i 16V (F35) (X 20 XEV)		Gasolina	FWD	1998	100	136	10.95-01.01	*
2.2 i 16V (F35) (Z 22 SE)		Gasolina	FWD	2198	108	147	08.95-10.01	*
2.5 i V6 (F35) (X 25 XE)		Gasolina	FWD	2498	125	170	11.96-08.00	*
2.5 i GSi (F35) (X 25 XE)		Gasolina	FWD	2498	143	194	05.98-09.99	*
2.6 i V6 (F35) (Y 26 SE)		Gasolina	FWD	2597	125	170	09.00-03.02	*
1.8 Dualfuel (F35) (Z 18 XE)		Gasol./Gas (LPG)	FWD	1796	92	125	09.00-03.02	*
2.0 Dualfuel (F35) (X 20 XEV)		Gasol./Gas (LPG)	FWD	1998	100	136	10.98-01.01	*
2.0 DI 16V (F35) (X 20 DTL)		Diesel	FWD	1995	60	82	08.95-10.01	*
2.0 DTI 16V (F35) (X 20 DTH)		Diesel	FWD	1995	74	101	08.95-10.01	*
2.0 DTI 16V (F35) (Y 20 DTH)		Diesel	FWD	1995	74	101	08.95-10.01	*
2.2 DTI 16V (F35) (Y 22 DTR)		Diesel	FWD	2172	92	125	08.95-10.01	*
VECTRA (B) (J96) 08.95-07.03					[CAMBIADO]:Fastback (Large family car-D Segment)			
1.6 i (F68) (X 16 SZR)		Gasolina	FWD	1598	55	75	08.95-10.01	*
1.6 i 16V (F68) (X 16 XEL)		Gasolina	FWD	1598	74	101	08.95-10.01	*
1.6 i 16V (F68) (Y 16 XE)		Gasolina	FWD	1598	74	101	08.95-10.01	*
1.6 i 16V (F68) (Z 16 XE)		Gasolina	FWD	1598	74	101	08.95-10.01	*
1.8 i 16V (F68) (X 18 XE1)		Gasolina	FWD	1796	85	116	10.95-09.00	*
1.8 i 16V (F68) (Z 18 XE)		Gasolina	FWD	1796	92	125	09.00-07.03	*
1.8 i 16V (F68) (X 18 XE)		Gasolina	FWD	1799	85	116	09.95-09.00	*
2.0 i 16V (F68) (X 20 XEV)		Gasolina	FWD	1998	100	136	10.95-01.01	*
2.2 i 16V (F68) (Z 22 SE)		Gasolina	FWD	2198	108	147	09.00-07.03	*
2.5 i V6 (F68) (X 25 XE)		Gasolina	FWD	2498	125	170	09.95-08.00	*
2.5 i GSi (F68) (X 25 XE)		Gasolina	FWD	2498	143	194	03.98-07.00	*

LISTA DE APLICACIONES - BUYERS GUIDE

2.6 i V6 (F68) (Y 26 SE)		Gasolina	FWD	2597	125	170	09.00-07.03	*	
1.8 Dualfuel (F68) (Z 18 XE)		Gasol./Gas (LPG)	FWD	1796	92	125	09.00-07.03	*	
2.0 Dualfuel (F68) (X 20 XEV)		Gasol./Gas (LPG)	FWD	1998	100	136	08.98-01.01	*	
2.0 DI 16V (F68) (X 20 DTL)		Diesel	FWD	1995	60	82	08.95-10.01	*	
2.0 DTI 16V (F68) (X 20 DTH)		Diesel	FWD	1995	74	101	06.97-10.01	*	
2.0 DTI 16V (F68) (Y 20 DTH)		Diesel	FWD	1995	74	101	06.97-10.01	*	
2.2 DTI 16V (F68) (Y 22 DTR)		Diesel	FWD	2172	92	125	08.95-10.01	*	
VECTRA (B) (J96) 08.95-03.02							Sedán (Large family car-D Segment)		
1.6 i (F19) (X 16 SZR)		Gasolina	FWD	1598	55	75	08.95-10.01	*	
1.6 i 16V (F19) (X 16 XEL)		Gasolina	FWD	1598	74	100	08.95-10.01	*	
1.6 i 16V (F19) (Y 16 XE)		Gasolina	FWD	1598	74	100	08.95-10.01	*	
1.6 i 16V (F19) (Z 16 XE)		Gasolina	FWD	1598	74	100	08.95-10.01	*	
1.8 i 16V (F19) (X 18 XE1)		Gasolina	FWD	1796	85	115	10.95-09.00	*	
1.8 i 16V (F19) (Z 18 XE)		Gasolina	FWD	1796	92	125	09.00-03.02	*	
1.8 i 16V (F19) (X 18 XE)		Gasolina	FWD	1799	85	116	10.95-09.00	*	
2.0 i 16V (F19) (X 20 XEV)		Gasolina	FWD	1998	100	136	10.95-01.01	*	
2.2 i 16V (F19) (Z 22 SE)		Gasolina	FWD	2198	108	147	08.95-10.01	*	
2.5 i V6 (F19) (X 25 XE)		Gasolina	FWD	2498	125	170	09.95-08.00	*	
2.5 i GSi (F19) (X 25 XE)		Gasolina	FWD	2498	143	194	03.98-07.00	*	
2.6 i V6 (F19) (Y 26 SE)		Gasolina	FWD	2597	125	170	09.00-03.02	*	
1.8 Dualfuel (F19) (Z 18 XE)		Gasol./Gas (LPG)	FWD	1796	92	125	09.00-03.02	*	
2.0 Dualfuel (F19) (X 20 XEV)		Gasol./Gas (LPG)	FWD	1998	100	136	05.98-01.01	*	
2.0 DI 16V (F19) (X 20 DTL)		Diesel	FWD	1995	60	82	08.95-10.01	*	
2.0 DTI 16V (F19) (X 20 DTH)		Diesel	FWD	1995	74	101	08.95-10.01	*	
2.0 DTI 16V (F19) (Y 20 DTH)		Diesel	FWD	1995	74	101	08.95-10.01	*	
2.2 DTI 16V (F19) (Y 22 DTR)		Diesel	FWD	2172	92	125	08.95-10.01	*	
VX220 (E01) 09.00-07.05							Cabrío (Sports car-S Segment)		
2.0 i Turbo (Z 20 LET)		Gasolina	RWD	1998	147	200	03.01-07.05	*	
2.0 VXR (Z 20 LET)		Gasolina	RWD	1998	162	220	10.03-07.05	* *	
2.2 i (Z 22 SE)		Gasolina	RWD	2198	108	147	09.00-07.05	*	