

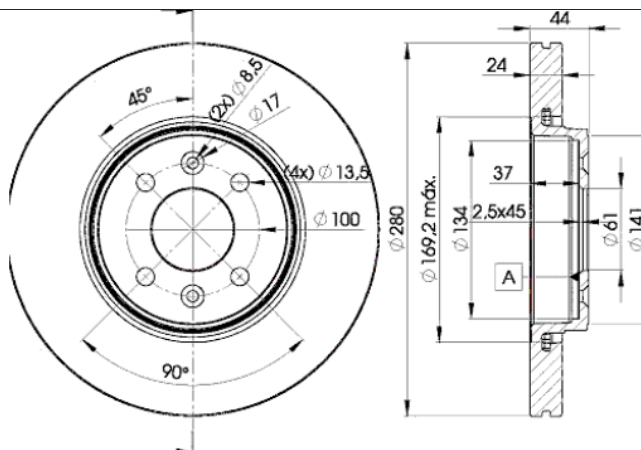
LISTA DE APLICACIONES - BUYERS GUIDE

78RBD27829



Weight: 14.064

O.E.M.	MAKE
77 00 426 389	RENAULT
77 01 205 230	RENAULT
77 01 205 842	RENAULT
77 01 206 118	RENAULT
77 01 207 829	RENAULT



78RBD27829

E1 90R-02C0433/0090



Ø280x24x44

Sin Filas



Trac.	CC	Kw	CV
-------	----	----	----



Front / Rear

DACIA

								Pick-up ()
09.17-								
1.2 TCe 115	Gasolina	FWD	1197	85	115	09.17-12.21	*	
1.6 SCe 100	Gasolina	FWD	1598	75	102	09.17-12.21	*	
1.5 dCi 75	Diesel	FWD	1461	55	75	09.17-12.21	*	
1.5 dCi 90	Diesel	FWD	1461	66	90	09.17-12.21	*	

								MPV ()
DOKKER (KE_) 11.12-								
1.5 dCi (KEMW) (K9K 612)	Diesel	FWD	1461	63	85	11.12-12.21	*	
1.5 dCi (KEMW) (K9K 830)	Diesel	FWD	1461	63	85	11.12-12.21	*	

								MPV (Compact MPV-M1 Segment)
JOGGER (RK_) 09.21-								
1.0 TCe 110 (RKMD)	Gasolina	FWD	999	81	110	09.21-	*	
1.0 TCe 90 ECO-G (RKMT)	Gasol./Gas (LPG)	FWD	999	67	91	09.21-	*	
1.0 TCe 100 ECO-G (RKMT)	Gasol./Gas (LPG)	FWD	999	74	101	09.21-	*	
1.6 Hybrid 140 (RKN8)	Gasol./eléc.	FWD	1598	104	141	01.23-	*	

								MPV (Compact MPV-M1 Segment)
LODGY (JS_) 03.12-								
1.5 dCi (JSMW) (K9K 612)	Diesel	FWD	1461	63	85	11.12-	*	
1.5 dCi (JSMW) (K9K 830)	Diesel	FWD	1461	63	85	11.12-	*	

RENAULT

								[CAMBIADO]:Fastback (Mini SUV-J Segment)
CAPTUR (J5_, H5_) 06.13-								
1.2 T (H5F 403)	Gasolina	FWD	1197	83	113	06.13-08.18	*	
1.2 T (H5F 403)	Gasolina	FWD	1197	85	116	06.15-08.18	*	
1.2 TCe 120 (H5F 408)	Gasolina	FWD	1197	87	118	01.16-08.18	*	

LISTA DE APLICACIONES - BUYERS GUIDE

1.2 TCe 120 (H5F 412)		Gasolina	FWD	1197	87	118	01.16-08.18	*
1.2 TCe 120 (H5F 403)		Gasolina	FWD	1197	88	120	06.13-12.18	*
1.2 TCe (J5AU) (H5F 408)		Gasolina	FWD	1197	97	132	02.18-12.18	*
1.3 TCe 130 (J5NJ, J5NE) (H5H 450)		Gasolina	FWD	1332	96	131	03.18-12.19	*
1.3 TCe 150 (J5NK, J5JS) (H5H 450)		Gasolina	FWD	1332	110	150	03.18-12.19	*
1.6 (J5JA, J5JY, H5JA) (H4M 750)		Gasolina	FWD	1598	84	114	02.18-06.23	*
1.5 dCi (J5MW) (K9K 830)		Diesel	FWD	1461	63	86	06.13-06.19	*
1.5 dCi 90 (J5N4, J5M5, J5MW, J5M6, J5AL, J5AJ) (K9K 608)		Diesel	FWD	1461	66	90	06.13-06.19	*
1.5 dCi 90 (J5N4, J5M5, J5MW, J5M6, J5AL, J5AJ) (K9K 609)		Diesel	FWD	1461	66	90	06.13-06.19	*
1.5 dCi 90 (J5N4, J5M5, J5MW, J5M6, J5AL, J5AJ) (K9K 628)		Diesel	FWD	1461	66	90	06.13-06.19	*
1.5 dCi 90 (J5N4, J5M5, J5MW, J5M6, J5AL, J5AJ) (K9K 629)		Diesel	FWD	1461	66	90	06.13-06.19	*
1.5 dCi 90 (J5N4, J5M5, J5MW, J5M6, J5AL, J5AJ) (K9K 838)		Diesel	FWD	1461	66	90	06.13-06.19	*
1.5 dCi 110 (K9K 646)		Diesel	FWD	1461	81	110	01.15-09.18	*
1.5 dCi 110 (K9K 856)		Diesel	FWD	1461	81	110	01.15-09.18	*
CLIO II (BB_, CB_) 03.98-							[CAMBIADO]:Fastback (Supermini car-B Segment)	
2.0 16V Sport (CB0M) (F4R 730)		Gasolina	FWD	1998	124	169	02.00-06.09	*
2.0 16V Sport (CB0M) (F4R 736)		Gasolina	FWD	1998	124	169	02.00-06.09	*
2.0 16V (CB0M, CB1G)		Gasolina	FWD	1998	126	172	06.01-05.05	*
2.0 16V Sport (F4R 738)		Gasolina	FWD	1998	132	179	01.04-04.05	*
CLIO II / EURO CLIO (BR0/1, CR0/1) 01.05-							[CAMBIADO]:Fastback (Supermini car-B Segment)	
1.2 16V (D4F 764)		Gasolina	FWD	1149	43	58	06.06-08.10	*
1.2 16V (D4F 786)		Gasolina	FWD	1149	76	103	09.10-12.14	*
1.6		Gasolina	FWD	1598	79	107	09.05-12.10	*
1.6 16V GT (BR10, CR10) (K4M 862)		Gasolina	FWD	1598	94	128	06.09-12.14	*
2.0 16V (BR0C, BR0K, CR0C, CR0K) (M4R 700)		Gasolina	FWD	1997	102	139	09.06-12.14	*
2.0 16V (BR0C, BR0K, CR0C, CR0K) (M4R 701)		Gasolina	FWD	1997	102	139	09.06-12.14	*
1.2 Ethanol (CR1U, BR1U) (D4F 742)		Gasol./Etanol	FWD	1149	55	75	07.08-12.12	*
1.5 dCi (K9K 770)		Diesel	FWD	1461	55	75	08.10-12.14	*
1.5 dCi (K9K 766)		Diesel	FWD	1461	65	88	08.10-12.14	*
1.5 dCi (K9K 770)		Diesel	FWD	1461	65	88	08.10-12.14	*
CLIO III (SB_, SR_) 06.05-							Furgón/hatchback (LCVs-N1 Segment)	
1.2 (SR0J) (D4F 740)		Gasolina	FWD	1149	55	75	11.05-12.14	*
1.2 (SR0P) (D4F 784)		Gasolina	FWD	1149	74	101	11.07-12.11	*
1.2 Hi-Flex (SR1U) (D4F 742)		Gasol./Etanol	FWD	1149	58	79	11.07-12.09	*
1.5 dCi (K9K 768)		Diesel	FWD	1461	50	68	10.05-07.10	*
1.5 dCi		Diesel	FWD	1461	55	75	08.10-12.14	*
1.5 dCi (K9K 766)		Diesel	FWD	1461	63	86	06.05-07.10	*
1.5 dCi (SR1H) (K9K 770)		Diesel	FWD	1461	65	88	08.10-12.14	*
1.5 dCi (K9K 764)		Diesel	FWD	1461	78	106	10.05-10.07	*
CLIO III Grandtour (KR0/1_) 11.07-							[CAMBIADO]:Break (Supermini car-B Segment)	
1.5 dCi (KR0G) (K9K 714)		Diesel	FWD	1461	50	68	11.07-12.12	*
1.5 dCi (KR0G) (K9K 768)		Diesel	FWD	1461	50	68	11.07-12.12	*
1.5 dCi (KR0F) (K9K 766)		Diesel	FWD	1461	63	86	11.07-12.12	*
CLIO V (B7_) 06.19-							[CAMBIADO]:Fastback (Supermini car-B Segment)	
1.0 TCe 90 (B7MT)		Gasolina	FWD	999	67	91	08.20-	*

LISTA DE APLICACIONES - BUYERS GUIDE

1.0 TCe 100 (B7MT) (H4D 450)		Gasolina	FWD	999	74	101	06.19-	*
1.0 TCe 100 (B7MT) (H4D 452)		Gasolina	FWD	999	74	101	06.19-	*
1.0 TCe 100 (B7MT) (H4D 460)		Gasolina	FWD	999	74	101	06.19-	*
1.0 TCe 100 (B7MT) (H4D 472)		Gasolina	FWD	999	74	101	06.19-	*
1.3 TCe 130 (B7MF) (H5H 450)		Gasolina	FWD	1332	96	131	06.19-	*
1.3 TCe 130 (B7MF) (H5H 470)		Gasolina	FWD	1332	96	131	06.19-	*
1.3 TCe 140 (B7N0)		Gasolina	FWD	1332	103	140	09.20-	*
1.0 LPG (B7MT)		Gasol./Gas (LPG)	FWD	999	67	91	11.21-	*
1.0 LPG (B7MT) (H4D 450)		Gasol./Gas (LPG)	FWD	999	74	101	06.19-	*
1.0 LPG (B7MT) (H4D 452)		Gasol./Gas (LPG)	FWD	999	74	101	06.19-	*
1.0 LPG (B7MT) (H4D 460)		Gasol./Gas (LPG)	FWD	999	74	101	06.19-	*
1.0 LPG (B7MT) (H4D 472)		Gasol./Gas (LPG)	FWD	999	74	101	06.19-	*
1.6 E-TECH 140 (B7MU) (H4M 630)		Gasol./eléc.	FWD	1598	103	140	03.20-	*
1.6 E-TECH 145 (B7MU)		Gasol./eléc.	FWD	1598	105	143	01.22-	*
1.5 Blue dCi 85 (B7AG) (K9K 854)		Diesel	FWD	1461	63	86	06.19-	*
1.5 Blue dCi 85 (B7AG) (K9K 872)		Diesel	FWD	1461	63	86	06.19-	*
1.5 Blue dCi 100 (B7AD)		Diesel	FWD	1461	74	101	11.21-	*
1.5 Blue dCi 115 (B7AD) (K9K 854)		Diesel	FWD	1461	85	116	06.19-	*
1.5 Blue dCi 115 (B7AD) (K9K 862)		Diesel	FWD	1461	85	116	06.19-	*
1.5 Blue dCi 115 (B7AD) (K9K 872)		Diesel	FWD	1461	85	116	06.19-	*
GRAND SCÉNIC II (JM0/1_) 04.04-					MPV (Compact MPV-M1 Segment)			
1.6 (K4M 788)		Gasolina	FWD	1598	77	105	06.06-11.08	*
1.6 (K4M 761)		Gasolina	FWD	1598	83	113	04.04-08.06	*
1.6 (K4M 782)		Gasolina	FWD	1598	83	113	04.04-08.06	*
KANGOO (KC0/1_) 08.97-					MPV (Mini MPV-M1 Segment)			
1.6 16V 4x4 (KC0P, KC0S, KC0L) (K4M 750)		Gasolina	4WD	1598	70	95	10.01-	*
1.6 16V 4x4 (KC0P, KC0S, KC0L) (K4M 752)		Gasolina	4WD	1598	70	95	10.01-	*
1.6 16V 4x4 (KC0P, KC0S, KC0L) (K4M 753)		Gasolina	4WD	1598	70	95	10.01-	*
1.9 dCi 4x4 (KC0V) (F9Q 782)		Diesel	4WD	1870	59	80	10.01-	*
1.9 dCi 4x4 (KC0V) (F9Q 790)		Diesel	4WD	1870	59	80	10.01-	*
1.9 dCi 4x4 (F9Q 790)		Diesel	4WD	1870	62	84	10.03-	*
KANGOO EXPRESS (FC0/1_) 08.97-					Furgoneta/MPV (LCVs-N1 Segment)			
1.6 16V 4x4 (FC0L, FC0P, FC0S) (K4M 750)		Gasolina	4WD	1598	70	95	10.01-	*
1.6 16V 4x4 (FC0L, FC0P, FC0S) (K4M 752)		Gasolina	4WD	1598	70	95	10.01-	*
1.6 16V 4x4 (FC0L, FC0P, FC0S) (K4M 753)		Gasolina	4WD	1598	70	95	10.01-	*
1.9 dCi 4x4 (FC0V) (F9Q 782)		Diesel	4WD	1870	59	80	10.01-	*
1.9 dCi 4x4 (FC0V) (F9Q 790)		Diesel	4WD	1870	59	80	10.01-	*
1.9 dCi 4x4 (FC0V) (F9Q 790)		Diesel	4WD	1870	62	84	07.03-	*
LAGUNA I (B56_, 556_) 11.93-08.02					[CAMBIADO]:Fastback (Large family car-D Segment)			
1.6 16V (B568, B561) (K4M 720)		Gasolina	FWD	1598	79	107	11.97-03.01	*
1.6 16V (B568, B561) (K4M 724)		Gasolina	FWD	1598	79	107	11.97-03.01	*
1.8 16V (B563, B564) (F4P 760)		Gasolina	FWD	1783	88	120	04.98-03.01	*
1.8 16V (B563, B564) (F4P 770)		Gasolina	FWD	1783	88	120	04.98-03.01	*
2.0		Gasolina	FWD	1994	70	95	11.93-03.01	*
2.0 (F3R 611)		Gasolina	FWD	1998	80	109	03.99-03.01	*
2.0 (B56C/H/N) (F3R 722)		Gasolina	FWD	1998	83	113	11.93-03.01	*
2.0 (B56C/H/N) (F3R 723)		Gasolina	FWD	1998	83	113	11.93-03.01	*

LISTA DE APLICACIONES - BUYERS GUIDE

2.0 (F3R 722)		Gasolina	FWD	1998	84	114	06.95-02.01	*	
2.0 (F3R 768)		Gasolina	FWD	1998	84	114	06.95-02.01	*	
2.9 24V (B56V)		Gasolina	FWD	2946	140	190	03.97-03.01	*	
3.0 24V (B56V) (L7X 700)		Gasolina	FWD	2946	140	190	03.97-03.01	*	
3.0 24V (B56V) (L7X 701)		Gasolina	FWD	2946	140	190	03.97-03.01	*	
1.9 dTi (B56J) (F9Q 710)		Diesel	FWD	1870	72	98	10.97-03.01	*	
1.9 dTi (B56J) (F9Q 716)		Diesel	FWD	1870	72	98	10.97-03.01	*	
1.9 dTi (B56J) (F9Q 717)		Diesel	FWD	1870	72	98	10.97-03.01	*	
1.9 dCi (B56W) (F9Q 718)		Diesel	FWD	1870	79	107	09.99-03.01	*	
2.2 dT (B569) (G8T 760)		Diesel	FWD	2188	83	113	03.96-03.01	*	
LAGUNA I Grandtour (K56_) 09.95-08.02							[CAMBIADO]:Break (Large family car-D Segment)		
1.6 16V (K568) (K4M 720)		Gasolina	FWD	1598	79	107	11.97-03.01	*	
1.6 16V (K568) (K4M 724)		Gasolina	FWD	1598	79	107	11.97-03.01	*	
1.8 16V (K563, K564) (F4P 760)		Gasolina	FWD	1783	88	120	04.98-03.01	*	
1.8 (K56S/T/0) (F3P 670)		Gasolina	FWD	1794	66	90	09.95-03.01	*	
1.8 (K56S/T/0) (F3P 678)		Gasolina	FWD	1794	66	90	09.95-03.01	*	
1.8 (K56Z) (F3P 678)		Gasolina	FWD	1794	69	94	09.95-03.01	*	
1.8 (K56Z) (F3P 720)		Gasolina	FWD	1794	69	94	09.95-03.01	*	
1.8 (K56Z) (F3P 724)		Gasolina	FWD	1794	69	94	09.95-03.01	*	
2.0 (K56C/H) (F3R 722)		Gasolina	FWD	1998	83	113	09.95-03.01	*	
2.0 (K56C/H) (F3R 723)		Gasolina	FWD	1998	83	113	09.95-03.01	*	
2.0 (F3R 728)		Gasolina	FWD	1998	84	114	10.98-01.01	*	
2.0 (F3R 768)		Gasolina	FWD	1998	84	114	10.98-01.01	*	
3.0 24V (K56V) (L7X 700)		Gasolina	FWD	2946	140	190	03.97-03.01	*	
3.0 24V (K56V) (L7X 701)		Gasolina	FWD	2946	140	190	03.97-03.01	*	
1.9 dTi (K56J) (F9Q 710)		Diesel	FWD	1870	72	98	10.97-03.01	*	
1.9 dTi (K56J) (F9Q 716)		Diesel	FWD	1870	72	98	10.97-03.01	*	
1.9 dTi (K56J) (F9Q 717)		Diesel	FWD	1870	72	98	10.97-03.01	*	
1.9 dCi (K56W) (F9Q 718)		Diesel	FWD	1870	79	107	09.99-03.01	*	
MEGANE (BA0/1_) 08.95-12.04							[CAMBIADO]:Fastback (Compact car-C Segment)		
1.6 16V (BA04, BA0B, BA11, BA1J, BA16, BA19, BA1K, BA1V,... (K4M 700)		Gasolina	FWD	1598	79	107	03.99-08.02	*	
1.6 16V (BA04, BA0B, BA11, BA1J, BA16, BA19, BA1K, BA1V,... (K4M 701)		Gasolina	FWD	1598	79	107	03.99-08.02	*	
1.6 16V (BA04, BA0B, BA11, BA1J, BA16, BA19, BA1K, BA1V,... (K4M 706)		Gasolina	FWD	1598	79	107	03.99-08.02	*	
1.6 16V (BA04, BA0B, BA11, BA1J, BA16, BA19, BA1K, BA1V,... (K4M 708)		Gasolina	FWD	1598	79	107	03.99-08.02	*	
1.6 16V (BA04, BA0B, BA11, BA1J, BA16, BA19, BA1K, BA1V,... (K4M 709)		Gasolina	FWD	1598	79	107	03.99-08.02	*	
1.6 16V		Gasolina	FWD	1598	81	110	11.01-12.08	*	
1.8 16V (BA06, BA12, BA1A, BA1M, BA1R) (F4P 720)		Gasolina	FWD	1783	85	115	01.01-08.03	*	
1.8 16V (BA06, BA12, BA1A, BA1M, BA1R) (F4P 722)		Gasolina	FWD	1783	85	115	01.01-08.03	*	
2.0 i (F3R 750)		Gasolina	FWD	1998	80	109	03.99-08.03	*	
2.0 i (F3R 751)		Gasolina	FWD	1998	80	109	03.99-08.03	*	
2.0 16V (BA0H) (F7R 710)		Gasolina	FWD	1998	108	147	07.96-08.03	*	
2.0 16V (BA0H) (F7R 714)		Gasolina	FWD	1998	108	147	07.96-08.03	*	
1.6 LPG (K4M 704)		Gasol./Gas (LPG)	FWD	1598	80	109	10.00-08.02	*	
1.6 LPG (K4M 712)		Gasol./Gas (LPG)	FWD	1598	80	109	10.00-08.02	*	
1.9 dTi (BA1U) (F9Q 744)		Diesel	FWD	1870	59	80	02.01-08.03	*	
1.9 DTI (F9Q 730)		Diesel	FWD	1870	60	82	02.00-09.00	*	

LISTA DE APLICACIONES - BUYERS GUIDE

1.9 dTi (BA08, BA0N) (F9Q 730)		Diesel	FWD	1870	72	98	03.97-02.01	*
1.9 dTi (BA08, BA0N) (F9Q 731)		Diesel	FWD	1870	72	98	03.97-02.01	*
1.9 dTi (BA08, BA0N) (F9Q 734)		Diesel	FWD	1870	72	98	03.97-02.01	*
1.9 dTi (BA08, BA0N) (F9Q 736)		Diesel	FWD	1870	72	98	03.97-02.01	*
1.9 dCi (BA05, BA1F) (F9Q 732)		Diesel	FWD	1870	75	102	02.01-08.03	*
1.9 dCi (BA05, BA1F) (F9Q 733)		Diesel	FWD	1870	75	102	02.01-08.03	*
1.9 DT (F8Q 784)		Diesel	FWD	1870	76	104	08.98-10.99	*
1.9 dCi (F9Q 732)		Diesel	FWD	1870	77	105	03.99-08.03	*
1.9 dCi (F9Q 738)		Diesel	FWD	1870	77	105	03.99-08.03	*
MEGANE (EA0/1_) 10.96-08.03				Cabrio (Compact car-C Segment)				
1.4 16V (EA0D, EA1H, EA0W, EA10) (K4J 714)		Gasolina	FWD	1390	70	95	03.99-08.03	*
1.4 16V (EA0D, EA1H, EA0W, EA10) (K4J 750)		Gasolina	FWD	1390	70	95	03.99-08.03	*
1.6 16V (EA04, EA0B, EA11, EA1J) (K4M 700)		Gasolina	FWD	1598	79	107	03.99-07.03	*
1.6 16V (EA04, EA0B, EA11, EA1J) (K4M 701)		Gasolina	FWD	1598	79	107	03.99-07.03	*
1.6 16V (EA04, EA0B, EA11, EA1J) (K4M 708)		Gasolina	FWD	1598	79	107	03.99-07.03	*
1.6 16V (EA04, EA0B, EA11, EA1J) (K4M 709)		Gasolina	FWD	1598	79	107	03.99-07.03	*
2.0 i (EA0G) (F3R 791)		Gasolina	FWD	1998	80	109	03.99-08.03	*
2.0 i (EA0G) (F3R 796)		Gasolina	FWD	1998	80	109	03.99-08.03	*
2.0 16V (F4R 746)		Gasolina	FWD	1998	102	139	01.02-08.03	*
2.0 16V (F4R 770)		Gasolina	FWD	1998	102	139	01.02-08.03	*
2.0 16V IDE (EA03, EA0P, EA14) (F5R 740)		Gasolina	FWD	1998	103	140	11.99-08.03	*
2.0 16V (EA0H) (F7R 710)		Gasolina	FWD	1998	108	147	10.96-11.99	*
2.0 16V (EA0H) (F7R 714)		Gasolina	FWD	1998	108	147	10.96-11.99	*
MEGANE Grandtour (KA0/1_) 03.99-08.03				[CAMBIADO]:Break (Compact car-C Segment)				
1.6 BiFuel		Gasolina	FWD	1598	79	107	04.01-07.03	*
1.8 16V (KA0S, KA12, KA1A, KA1M, KA1R) (F4P 720)		Gasolina	FWD	1783	85	115	01.01-08.03	*
1.8 16V (KA0S, KA12, KA1A, KA1M, KA1R) (F4P 722)		Gasolina	FWD	1783	85	115	01.01-08.03	*
1.6 BiFuel (K4M 704)		Gasol./Gas (LPG)	FWD	1598	80	109	03.99-09.00	*
1.9 dTi (KA1U) (F9Q 744)		Diesel	FWD	1870	59	80	02.01-08.03	*
1.9 dTi (KA0N) (F9Q 731)		Diesel	FWD	1870	72	98	03.99-02.01	*
1.9 dTi (KA0N) (F9Q 736)		Diesel	FWD	1870	72	98	03.99-02.01	*
1.9 dCi (KA05, KA1F) (F9Q 732)		Diesel	FWD	1870	75	102	02.01-08.03	*
1.9 dCi (KA05, KA1F) (F9Q 733)		Diesel	FWD	1870	75	102	02.01-08.03	*
1.9 dCi (KA05, KA1F) (F9Q 738)		Diesel	FWD	1870	75	102	02.01-08.03	*
1.9 dCi (F9Q 732)		Diesel	FWD	1870	77	105	03.99-09.00	*
MEGANE Classic (LA0/1_) 09.96-08.08				Sedán (Compact car-C Segment)				
1.6 16V (LA00, LA04, LA0B, LA11, LA16, LA19, LA1J, LA1K,...) (K4M 700)		Gasolina	FWD	1598	79	107	03.99-07.03	*
1.6 16V (LA00, LA04, LA0B, LA11, LA16, LA19, LA1J, LA1K,...) (K4M 701)		Gasolina	FWD	1598	79	107	03.99-07.03	*
1.6 16V (LA00, LA04, LA0B, LA11, LA16, LA19, LA1J, LA1K,...) (K4M 706)		Gasolina	FWD	1598	79	107	03.99-07.03	*
1.6 16V (LA00, LA04, LA0B, LA11, LA16, LA19, LA1J, LA1K,...) (K4M 708)		Gasolina	FWD	1598	79	107	03.99-07.03	*
1.6 16V (LA00, LA04, LA0B, LA11, LA16, LA19, LA1J, LA1K,...) (K4M 709)		Gasolina	FWD	1598	79	107	03.99-07.03	*
1.6 16V		Gasolina	FWD	1598	81	110	09.99-12.01	*
1.8 16V (LA06, LA12, LA1A, LA1M, LA1R) (F4P 720)		Gasolina	FWD	1783	85	115	01.01-08.03	*
1.8 16V (LA06, LA12, LA1A, LA1M, LA1R) (F4P 722)		Gasolina	FWD	1783	85	115	01.01-08.03	*
2.0 i (LA0G) (F3R 750)		Gasolina	FWD	1998	80	109	03.99-08.03	*
2.0 i (LA0G) (F3R 751)		Gasolina	FWD	1998	80	109	03.99-08.03	*

LISTA DE APLICACIONES - BUYERS GUIDE

2.0 i (LA0G) (F3R 752)		Gasolina	FWD	1998	80	109	03.99-08.03	*
2.0 i (LA0G) (F3R 791)		Gasolina	FWD	1998	80	109	03.99-08.03	*
2.0 i (LA0G) (F3R 796)		Gasolina	FWD	1998	80	109	03.99-08.03	*
2.0 i (LA0G) (F3R 797)		Gasolina	FWD	1998	80	109	03.99-08.03	*
2.0 i (LA0G) (F3R 798)		Gasolina	FWD	1998	80	109	03.99-08.03	*
2.0 RT (F4R 747)		Gasolina	FWD	1998	103	140	03.01-08.03	*
2.0 RT (F5R 740)		Gasolina	FWD	1998	103	140	03.01-08.03	*
1.9 dTi (LA1U) (F9Q 744)		Diesel	FWD	1870	59	80	02.01-08.03	*
1.9 dCi (LA05, LA1F) (F9Q 732)		Diesel	FWD	1870	75	102	02.01-08.03	*
1.9 dCi (LA05, LA1F) (F9Q 733)		Diesel	FWD	1870	75	102	02.01-08.03	*
1.9 dCi (LA05, LA1F) (F9Q 738)		Diesel	FWD	1870	75	102	02.01-08.03	*
1.9 DT (F8Q 784)		Diesel	FWD	1870	76	104	08.98-10.99	*
1.9 dCi (LA05) (F9Q 732)		Diesel	FWD	1870	77	105	03.99-07.03	*
1.9 dCi (LA05) (F9Q 733)		Diesel	FWD	1870	77	105	03.99-07.03	*
MEGANE Coach (DA0/1_) 03.96-08.03					Coupé (Compact car-C Segment)			
1.4 16V (DA0D, DA1H, DA0W, DA10) (K4J 700)		Gasolina	FWD	1390	70	95	03.99-07.03	*
1.4 16V (DA0D, DA1H, DA0W, DA10) (K4J 714)		Gasolina	FWD	1390	70	95	03.99-07.03	*
1.4 16V (DA0D, DA1H, DA0W, DA10) (K4J 750)		Gasolina	FWD	1390	70	95	03.99-07.03	*
1.6 16V (DA0B, DA04, DA11) (K4M 700)		Gasolina	FWD	1598	79	107	03.99-07.03	*
1.6 16V (DA0B, DA04, DA11) (K4M 701)		Gasolina	FWD	1598	79	107	03.99-07.03	*
1.6 16V (DA0B, DA04, DA11) (K4M 708)		Gasolina	FWD	1598	79	107	03.99-07.03	*
1.6 16V (DA0B, DA04, DA11) (K4M 709)		Gasolina	FWD	1598	79	107	03.99-07.03	*
2.0 i (F3R 791)		Gasolina	FWD	1998	80	109	03.99-08.03	*
2.0 i (F3R 796)		Gasolina	FWD	1998	80	109	03.99-08.03	*
2.0 16V (F4R 746)		Gasolina	FWD	1998	102	139	01.02-08.03	*
2.0 16V IDE (DA03, DA0P, DA14) (F5R 740)		Gasolina	FWD	1998	103	140	11.99-08.03	*
2.0 16V (DA0H) (F7R 710)		Gasolina	FWD	1998	108	147	03.96-11.99	*
2.0 16V (DA0H) (F7R 714)		Gasolina	FWD	1998	108	147	03.96-11.99	*
1.9 dTi (DA0N) (F9Q 731)		Diesel	FWD	1870	72	98	03.97-02.01	*
1.9 dTi (DA0N) (F9Q 734)		Diesel	FWD	1870	72	98	03.97-02.01	*
1.9 dTi (DA0N) (F9Q 736)		Diesel	FWD	1870	72	98	03.97-02.01	*
1.9 dCi (DA05, DA1F) (F9Q 732)		Diesel	FWD	1870	75	102	02.01-08.03	*
1.9 dCi (DA05, DA1F) (F9Q 733)		Diesel	FWD	1870	75	102	02.01-08.03	*
1.9 dCi (F9Q 732)		Diesel	FWD	1870	77	105	03.99-09.00	*
1.9 dCi (F9Q 733)		Diesel	FWD	1870	77	105	03.99-09.00	*
MEGANE Hatchback Van (SA0/1_) 08.95-07.03					Furgón/hatchback (Compact car-C Segment)			
1.9 dCi (F9Q 738)		Diesel	FWD	1870	59	80	10.00-07.03	*
MEGANE II (KM0/1_) 08.03-08.12					[CAMBIADO]:Break (Compact car-C Segment)			
1.6 16V (K4M 768)		Gasolina	FWD	1598	75	102	05.05-07.09	*
1.6 16V (K4M 762)		Gasolina	FWD	1598	77	105	05.05-07.09	*
1.6 16V (K4M 762)		Gasolina	FWD	1598	81	110	05.06-10.11	*
1.6 16V (K4M 760)		Gasolina	FWD	1598	82	112	01.06-08.09	*
1.6 16V (K4M 761)		Gasolina	FWD	1598	82	112	01.06-08.09	*
1.6 16V (K4M 812)		Gasolina	FWD	1598	82	112	01.06-08.09	*
1.6 16V (K4M 813)		Gasolina	FWD	1598	82	112	01.06-08.09	*
1.6 (K4M 760)		Gasolina	FWD	1598	83	113	08.03-07.09	*
1.6 (K4M 761)		Gasolina	FWD	1598	83	113	08.03-07.09	*
2.0 (F4R 770)		Gasolina	FWD	1998	99	135	08.03-07.09	*
2.0 (F4R 771)		Gasolina	FWD	1998	99	135	08.03-07.09	*
2.0 (KM0S, KM2N, KM23) (F4R 770)		Gasolina	FWD	1998	102	138	12.06-01.11	*

LISTA DE APLICACIONES - BUYERS GUIDE

2.0 (KM0S, KM2N, KM23) (F4R 771)	Gasolina	FWD	1998	102	138	12.06-01.11	*
1.6 LPG 16V (K4M 760)	Gasol./Gas (LPG)	FWD	1598	82	112	01.06-08.09	*
1.6 16V Hi-Flex (K4M 856)	Gasol./Etanol	FWD	1598	77	105	02.08-07.09	*
1.6 Flex	Gasol./Etanol	FWD	1598	81	110	12.06-08.12	*
1.6 Flex (KM2E, KM2M, KM24, KM26)	Gasol./Etanol	FWD	1598	85	115	11.06-08.12	*
1.9 dCi (F9Q 808)	Diesel	FWD	1870	66	90	04.04-12.05	*
1.9 dCi (F9Q 808)	Diesel	FWD	1870	68	92	03.04-02.07	*
1.9 dCi (F9Q 804)	Diesel	FWD	1870	81	110	05.05-07.09	*
1.9 dCi (F9Q 818)	Diesel	FWD	1870	81	110	05.05-07.09	*
1.9 dCi (KM14) (F9Q 818)	Diesel	FWD	1870	85	115	05.05-07.09	*
1.9 dCi (KMRG, KM1G, KM0G, KM2C) (F9Q 800)	Diesel	FWD	1870	88	120	08.03-07.09	*
1.9 dCi (KM14) (F9Q 803)	Diesel	FWD	1870	96	131	05.05-07.09	*
1.9 dCi (KM14) (F9Q 804)	Diesel	FWD	1870	96	131	05.05-07.09	*
2.0 dCi (M9R 700)	Diesel	FWD	1995	110	150	09.05-07.09	*
2.0 dCi (M9R 722)	Diesel	FWD	1995	110	150	09.05-07.09	*
MEGANE II (BM0/1_, CM0/1_) 07.01-10.12					[CAMBIADO]:Fastback (Compact car-C Segment)		
1.6 (K4M 788)	Gasolina	FWD	1598	77	105	06.05-02.08	*
1.6	Gasolina	FWD	1598	79	107	05.06-01.11	*
1.6 16V (K4M 760)	Gasolina	FWD	1598	82	112	01.06-06.08	*
1.6 16V (K4M 812)	Gasolina	FWD	1598	82	112	01.06-06.08	*
1.6 16V (K4M 813)	Gasolina	FWD	1598	82	112	01.06-06.08	*
1.6 16V (BM0C, CM0C) (K4M 760)	Gasolina	FWD	1598	83	113	11.02-02.08	*
2.0 16V (BM0U, CM0U) (F4R 770)	Gasolina	FWD	1998	99	135	11.02-02.08	*
2.0 16V Turbo (F4R 776)	Gasolina	FWD	1998	120	163	05.04-02.08	*
1.6 BiFuel (K4M 788)	Gasol./Gas (LPG)	FWD	1598	77	105	06.05-02.08	*
1.6 Flex-Fuel (K4M 788)	Gasol./Etanol	FWD	1598	77	105	01.07-02.08	*
1.9 dCi (F9Q 808)	Diesel	FWD	1870	66	90	11.02-12.05	*
1.9 dCi (F9Q 808)	Diesel	FWD	1870	68	92	03.04-08.06	*
1.9 dCi (F9Q 804)	Diesel	FWD	1870	81	110	05.05-02.08	*
1.9 dCi (F9Q 818)	Diesel	FWD	1870	81	110	05.05-02.08	*
1.9 dCi (F9Q 804)	Diesel	FWD	1870	85	115	11.02-02.08	*
1.9 dCi (F9Q 816)	Diesel	FWD	1870	85	115	11.02-02.08	*
1.9 dCi (F9Q 818)	Diesel	FWD	1870	85	115	11.02-02.08	*
1.9 dCi (BM0G, CM0G) (F9Q 800)	Diesel	FWD	1870	88	120	11.02-02.08	*
1.9 dCi (F9Q 803)	Diesel	FWD	1870	96	131	05.05-12.09	*
1.9 dCi (F9Q 804)	Diesel	FWD	1870	96	131	05.05-12.09	*
1.9 dCi (F9Q 816)	Diesel	FWD	1870	96	131	05.05-12.09	*
1.9 dCi (F9Q 818)	Diesel	FWD	1870	96	131	05.05-12.09	*
2.0 dCi (BM1K, CM1K) (M9R 700)	Diesel	FWD	1995	110	150	09.05-02.08	*
2.0 dCi (BM1K, CM1K) (M9R 722)	Diesel	FWD	1995	110	150	09.05-02.08	*
MEGANE II (KM_) 08.03-07.09					[CAMBIADO]:Furgón/Break (Compact car-C Segment)		
1.6 (KM0C) (K4M 780)	Gasolina	FWD	1598	82	111	10.03-01.08	*
1.5 dCi (KM0F) (K9K 722)	Diesel	FWD	1461	60	82	08.03-07.09	*
1.5 dCi (KM1F) (K9K 724)	Diesel	FWD	1461	63	86	05.05-07.09	*
1.5 dCi (KM02) (K9K 728)	Diesel	FWD	1461	74	101	08.03-07.09	*
1.5 dCi (KM1E) (K9K 732)	Diesel	FWD	1461	78	106	08.03-07.09	*
1.9 dCi (KM14) (F9Q E 804)	Diesel	FWD	1870	96	131	02.06-10.06	*

LISTA DE APLICACIONES - BUYERS GUIDE

MEGANE II (EM0/1_) 09.03-03.10					Cabrio (Compact car-C Segment)			
1.6 (K4M 788)		Gasolina	FWD	1598	77	105	06.05-03.09	*
1.6 16V (K4M 760)		Gasolina	FWD	1598	82	112	01.06-06.08	*
1.6 16V (K4M 761)		Gasolina	FWD	1598	82	112	01.06-06.08	*
1.6 16V (K4M 812)		Gasolina	FWD	1598	82	112	01.06-06.08	*
1.6 16V (K4M 813)		Gasolina	FWD	1598	82	112	01.06-06.08	*
1.6 (K4M 760)		Gasolina	FWD	1598	83	113	09.03-03.09	*
1.6 (K4M 761)		Gasolina	FWD	1598	83	113	09.03-03.09	*
2.0 (F4R 770)		Gasolina	FWD	1998	99	135	09.03-12.09	*
2.0 (F4R 771)		Gasolina	FWD	1998	99	135	09.03-12.09	*
2.0 (EM0S) (F4R 770)		Gasolina	FWD	1998	102	139	09.03-02.07	*
2.0 (EM0S) (F4R 771)		Gasolina	FWD	1998	102	139	09.03-02.07	*
2.0 16V Turbo (F4R 776)		Gasolina	FWD	1998	120	163	05.04-03.09	*
1.9 dCi (F9Q 804)		Diesel	FWD	1870	81	110	05.05-03.09	*
1.9 dCi (F9Q 816)		Diesel	FWD	1870	81	110	05.05-03.09	*
1.9 dCi (F9Q 818)		Diesel	FWD	1870	81	110	05.05-03.09	*
1.9 dCi (F9Q 804)		Diesel	FWD	1870	85	115	09.03-03.09	*
1.9 dCi (F9Q 816)		Diesel	FWD	1870	85	115	09.03-03.09	*
1.9 dCi (F9Q 818)		Diesel	FWD	1870	85	115	09.03-03.09	*
1.9 dCi (F9Q 800)		Diesel	FWD	1870	88	120	09.03-03.09	*
1.9 dCi (F9Q 803)		Diesel	FWD	1870	96	131	05.05-02.07	*
1.9 dCi (F9Q 804)		Diesel	FWD	1870	96	131	05.05-02.07	*
2.0 dCi (M9R 700)		Diesel	FWD	1995	110	150	09.05-03.09	*
2.0 dCi (M9R 722)		Diesel	FWD	1995	110	150	09.05-03.09	*
MEGANE II (LM0/1_) 08.03-					Sedán (Compact car-C Segment)			
1.6		Gasolina	FWD	1598	75	102	09.03-	*
1.6 (K4M 762)		Gasolina	FWD	1598	77	105	05.05-	*
1.6		Gasolina	FWD	1598	80	109	09.07-12.10	*
1.6 (K4M 760)		Gasolina	FWD	1598	81	110	09.03-11.08	*
1.6 (K4M 761)		Gasolina	FWD	1598	81	110	09.03-11.08	*
1.6 16V (LM1R, LM0C) (K4M 760)		Gasolina	FWD	1598	82	112	01.06-	*
1.6 16V (LM1R, LM0C) (K4M 761)		Gasolina	FWD	1598	82	112	01.06-	*
1.6 16V (LM1R, LM0C) (K4M 812)		Gasolina	FWD	1598	82	112	01.06-	*
1.6 16V (LM1R, LM0C) (K4M 813)		Gasolina	FWD	1598	82	112	01.06-	*
1.6 (K4M 760)		Gasolina	FWD	1598	83	113	09.03-	*
1.6 (K4M 761)		Gasolina	FWD	1598	83	113	09.03-	*
2.0 (F4R 770)		Gasolina	FWD	1998	99	135	09.03-	*
2.0 (F4R 771)		Gasolina	FWD	1998	99	135	09.03-	*
2.0 (F4R 770)		Gasolina	FWD	1998	101	138	04.06-11.10	*
1.6 Hi-Flex (LM2E, LM2M, LM24) (K4M 766)		Gasol./Etanol	FWD	1598	85	116	03.06-	*
1.9 dCi (F9Q 808)		Diesel	FWD	1870	66	90	09.03-12.05	*
1.9 dCi (F9Q 808)		Diesel	FWD	1870	68	92	03.04-	*
1.9 dCi (LM14, LM1D) (F9Q 803)		Diesel	FWD	1870	81	110	05.05-	*
1.9 dCi (LM14, LM1D) (F9Q 804)		Diesel	FWD	1870	81	110	05.05-	*
1.9 dCi (LM14, LM1D) (F9Q 816)		Diesel	FWD	1870	81	110	05.05-	*
1.9 dCi (LM14, LM1D) (F9Q 818)		Diesel	FWD	1870	81	110	05.05-	*
1.9 dCi (LM0G, LM1G, LM2C) (F9Q 800)		Diesel	FWD	1870	88	120	09.03-	*
1.9 dCi (F9Q 803)		Diesel	FWD	1870	96	131	05.05-	*
1.9 dCi (F9Q 804)		Diesel	FWD	1870	96	131	05.05-	*
2.0 dCi (M9R 700)		Diesel	FWD	1995	110	150	09.05-	*

LISTA DE APLICACIONES - BUYERS GUIDE

2.0 dCi (M9R 722)	Diesel	FWD	1995	110	150	09.05-	*
MEGANE II Hatchback Van (KM0/2_) 08.03-07.09				Furgón/hatchback (Compact car-C Segment)			
1.5 dCi (K9K 722)	Diesel	FWD	1461	60	82	08.03-02.08	*
1.5 dCi (K9K 724)	Diesel	FWD	1461	63	86	04.05-02.08	*
1.5 dCi (K9K 728)	Diesel	FWD	1461	74	101	08.03-02.08	*
1.5 dCi (K9K 734)	Diesel	FWD	1461	76	103	01.07-03.09	*
1.5 dCi (K9K 732)	Diesel	FWD	1461	78	106	05.05-02.08	*
MEGANE Kombi van (KA_) 02.00-07.03				[CAMBIADO]:Furgón/Break (Compact car-C Segment)			
1.6 (KA0B, KA04) (K4M 700)	Gasolina	FWD	1598	79	107	04.01-07.03	*
1.6 (KA0B, KA04) (K4M 701)	Gasolina	FWD	1598	79	107	04.01-07.03	*
1.6 (KA0B, KA04) (K4M 708)	Gasolina	FWD	1598	79	107	04.01-07.03	*
1.6 (KA0B, KA04) (K4M 709)	Gasolina	FWD	1598	79	107	04.01-07.03	*
1.8 (KA1M) (F4P 722)	Gasolina	FWD	1783	85	116	04.01-07.03	*
1.6 BiFuel (KA0B) (K4M 712)	Gasol./Gas (LPG)	FWD	1598	79	107	04.01-07.03	*
1.6 BiFuel (KA04) (K4M 704)	Gasol./Gas (LPG)	FWD	1598	80	109	04.01-07.03	*
1.9 dTi (KA1U) (F9Q 744)	Diesel	FWD	1870	59	80	04.01-07.03	*
1.9 dCi (KA05) (F9Q 732)	Diesel	FWD	1870	75	102	04.01-07.03	*
1.9 dCi (KA05) (F9Q 733)	Diesel	FWD	1870	75	102	04.01-07.03	*
1.9 dCi (KA05) (F9Q 732)	Diesel	FWD	1870	77	105	04.01-07.03	*
1.9 dCi (KA05) (F9Q 733)	Diesel	FWD	1870	77	105	04.01-07.03	*
MEGANE Scenic (JA0/1_) 10.96-12.01				MPV (Compact MPV-M1 Segment)			
1.4 i (JA0E) (E7J 764)	Gasolina	FWD	1390	55	75	01.97-09.99	*
1.6 i (JA0L) (K7M 720)	Gasolina	FWD	1598	55	75	01.97-09.99	*
1.6 e (JA0F) (K7M 702)	Gasolina	FWD	1598	66	90	10.96-10.99	*
1.6 e (JA0F) (K7M 703)	Gasolina	FWD	1598	66	90	10.96-10.99	*
1.6 16V (JA0B, JA04, JA11, JA00) (K4M 700)	Gasolina	FWD	1598	79	107	04.98-10.99	*
1.6 16V (JA0B, JA04, JA11, JA00) (K4M 701)	Gasolina	FWD	1598	79	107	04.98-10.99	*
1.6 16V (JA0B, JA04, JA11, JA00) (K4M 704)	Gasolina	FWD	1598	79	107	04.98-10.99	*
1.6 16V (JA0B, JA04, JA11, JA00) (K4M 708)	Gasolina	FWD	1598	79	107	04.98-10.99	*
2.0 i (JA02, JA0G) (F3R 791)	Gasolina	FWD	1998	80	109	01.99-09.99	*
2.0 i (JA02, JA0G) (F3R 796)	Gasolina	FWD	1998	80	109	01.99-09.99	*
2.0 i (JA0G) (F3R 750)	Gasolina	FWD	1998	84	114	01.97-09.99	*
2.0 i (JA0G) (F3R 751)	Gasolina	FWD	1998	84	114	01.97-09.99	*
2.0 RXE 4x4 (F3R 750)	Gasolina	4WD	1998	84	114	05.97-10.99	*
1.9 D (JA0J) (F8Q 790)	Diesel	FWD	1870	47	64	03.97-09.99	*
1.9 dT (JA0K, JA0Y) (F8Q 784)	Diesel	FWD	1870	66	90	01.97-09.99	*
1.9 dT (JA0K, JA0Y) (F8Q 786)	Diesel	FWD	1870	66	90	01.97-09.99	*
1.9 dTi (JA0N) (F9Q 730)	Diesel	FWD	1870	72	98	04.97-09.99	*
1.9 dTi (JA0N) (F9Q 734)	Diesel	FWD	1870	72	98	04.97-09.99	*
MEGANE Scenic VAN (JA0/1_) 10.96-12.01				Furgoneta/MPV (Compact MPV-M1 Segment)			
1.9 DT (JA0K)	Diesel	FWD	1870	66	90	01.97-09.99	*
1.9 dTi (JA0N)	Diesel	FWD	1870	72	98	04.97-09.99	*
SCÉNIC (JA0/1_, FA0_) 08.99-07.10				MPV (Compact MPV-M1 Segment)			
1.4 16V (JA0D, JA1H, Ja0W, JA10) (K4J 714)	Gasolina	FWD	1390	70	95	09.99-08.03	*
1.4 16V (JA0D, JA1H, Ja0W, JA10) (K4J 750)	Gasolina	FWD	1390	70	95	09.99-08.03	*
1.6 (K4M 708)	Gasolina	FWD	1598	75	102	03.01-08.03	*
1.6 (K4M 709)	Gasolina	FWD	1598	75	102	03.01-08.03	*
1.6 (JA00, JA16, JA15, JA19, JA1V, JA2B, JA2C, JA0B,...) (K4M 700)	Gasolina	FWD	1598	79	107	09.99-09.03	*

LISTA DE APLICACIONES - BUYERS GUIDE

1.6 (JA00, JA16, JA15, JA19, JA1V, JA2B, JA2C, JA0B,... (K4M 706)	Gasolina	FWD	1598	79	107	09.99-09.03	*
1.6 (JA00, JA16, JA15, JA19, JA1V, JA2B, JA2C, JA0B,... (K4M 707)	Gasolina	FWD	1598	79	107	09.99-09.03	*
1.6 (JA00, JA16, JA15, JA19, JA1V, JA2B, JA2C, JA0B,... (K4M 776)	Gasolina	FWD	1598	79	107	09.99-09.03	*
1.6 (JA00)	Gasolina	FWD	1598	81	110	06.01-09.03	*
1.6 16V	Gasolina	FWD	1598	85	116	09.99-08.03	*
1.8 16V (JA12, JA1R, JA1M, JA1A) (F4P 720)	Gasolina	FWD	1783	85	115	01.01-08.03	*
1.8 16V (JA12, JA1R, JA1M, JA1A) (F4P 722)	Gasolina	FWD	1783	85	115	01.01-08.03	*
1.8 4x4 (F4P 722)	Gasolina	4WD	1783	85	116	07.00-04.01	*
2.0 16V (JA1B, JA1D, JA0C) (F4R 740)	Gasolina	FWD	1998	102	139	07.00-08.03	*
2.0 16V (JA1B, JA1D, JA0C) (F4R 741)	Gasolina	FWD	1998	102	139	07.00-08.03	*
2.0 16V (JA1B, JA1D, JA0C) (F4R 746)	Gasolina	FWD	1998	102	139	07.00-08.03	*
2.0 16V (JA1D, JA17) (F4R 740)	Gasolina	FWD	1998	103	140	09.99-08.03	*
2.0 16V (JA1D, JA17) (F4R 741)	Gasolina	FWD	1998	103	140	09.99-08.03	*
2.0 16V (JA1D, JA17) (F4R 744)	Gasolina	FWD	1998	103	140	09.99-08.03	*
2.0 16V (JA1D, JA17) (F4R 747)	Gasolina	FWD	1998	103	140	09.99-08.03	*
1.6 BiFuel	Gasol./Gas (LPG)	FWD	1598	75	102	03.01-08.03	*
1.6 BiFuel (JA04) (K4M 704)	Gasol./Gas (LPG)	FWD	1598	79	107	09.99-04.01	*
1.6 BiFuel (JA04) (K4M 712)	Gasol./Gas (LPG)	FWD	1598	79	107	09.99-04.01	*
1.9 D (JA0J, FA0J) (F8Q 788)	Diesel	FWD	1870	47	64	09.99-03.01	*
1.9 D (JA0J, FA0J) (F8Q 790)	Diesel	FWD	1870	47	64	09.99-03.01	*
1.9 dTi (JA1U) (F9Q 744)	Diesel	FWD	1870	59	80	02.01-08.03	*
1.9 dTi (JA0N) (F9Q 731)	Diesel	FWD	1870	72	98	09.99-08.03	*
1.9 dTi (JA0N) (F9Q 734)	Diesel	FWD	1870	72	98	09.99-08.03	*
1.9 dTi (JA0N) (F9Q 736)	Diesel	FWD	1870	72	98	09.99-08.03	*
1.9 dCi RX4 (F9Q 732)	Diesel	4WD	1870	74	101	12.02-08.03	*
1.9 dCi RX4 (F9Q 748)	Diesel	4WD	1870	74	101	12.02-08.03	*
1.9 dCi RX4 (F9Q 796)	Diesel	4WD	1870	74	101	12.02-08.03	*
1.9 dCi (JA05, JA1F) (F9Q 732)	Diesel	FWD	1870	75	102	09.99-08.03	*
1.9 dCi (JA05, JA1F) (F9Q 733)	Diesel	FWD	1870	75	102	09.99-08.03	*
1.9 dCi RX4 (F9Q 740)	Diesel	4WD	1870	75	102	11.00-08.03	*
SCÉNIC II (JM0/1_) 06.03-						MPV (Compact MPV-M1 Segment)	
1.4 (JM0B, JM0H, JM1A) (K4J 730)	Gasolina	FWD	1390	72	98	06.03-11.08	*
1.4 (JM0B, JM0H, JM1A) (K4J 740)	Gasolina	FWD	1390	72	98	06.03-11.08	*
1.4 (JM0B, JM0H, JM1A) (K4J 770)	Gasolina	FWD	1390	72	98	06.03-11.08	*
1.6 (K4M 788)	Gasolina	FWD	1598	77	105	06.06-11.08	*
1.6 16V (JM1R, JM1B, JM2Y) (K4M 706)	Gasolina	FWD	1598	82	112	10.05-11.08	*
1.6 16V (JM1R, JM1B, JM2Y) (K4M 766)	Gasolina	FWD	1598	82	112	10.05-11.08	*
1.6 16V (JM1R, JM1B, JM2Y) (K4M 812)	Gasolina	FWD	1598	82	112	10.05-11.08	*
1.6 16V (JM1R, JM1B, JM2Y) (K4M 813)	Gasolina	FWD	1598	82	112	10.05-11.08	*
1.6 (JM0C, JM0J, JM1B) (K4M 761)	Gasolina	FWD	1598	83	113	06.03-10.06	*
1.6 (JM0C, JM0J, JM1B) (K4M 782)	Gasolina	FWD	1598	83	113	06.03-10.06	*
1.6 Hi-Flex (K4M 766)	Gasol./Etanol	FWD	1598	81	110	03.05-07.10	*
1.5 dCi (JM0F) (K9K 722)	Diesel	FWD	1461	60	82	06.03-05.06	*
1.5 dCi (JM1F) (K9K 724)	Diesel	FWD	1461	63	86	05.05-11.08	*
1.5 dCi (JM02, JM13) (K9K 728)	Diesel	FWD	1461	74	101	11.03-08.05	*
1.5 dCi (JM02, JM13) (K9K 729)	Diesel	FWD	1461	74	101	11.03-08.05	*
1.5 dCi (JM16) (K9K 728)	Diesel	FWD	1461	76	103	01.07-11.08	*
1.5 dCi (JM16) (K9K 734)	Diesel	FWD	1461	76	103	01.07-11.08	*

LISTA DE APLICACIONES - BUYERS GUIDE

1.5 dCi (JM1E, JM16) (K9K 732)	Diesel	FWD	1461	78	106	05.05-11.08	*
1.5 dCi (JM1E, JM16) (K9K 734)	Diesel	FWD	1461	78	106	05.05-11.08	*
SCÉNIC VAN (FA0_, JA0/1_) 08.99-07.10				Furgoneta/MPV (Compact MPV-M1 Segment)			
1.9 (FA0J)	Diesel	FWD	1870	47	64	09.99-02.01	*
1.9 dTi (JA0N)	Diesel	FWD	1870	72	98	09.99-04.01	*
TWINGO II (CN0_) 03.07-				[CAMBIADO]:Fastback (City car-A Segment)			
1.6 RS (CN0N, CN0R, CN0S) (K4M 854)	Gasolina	FWD	1598	98	133	05.08-09.14	*
WIND (E4M_) 07.10-				Cabrío (Compact car-C Segment)			
1.2 (E4MF) (D4F 782)	Gasolina	FWD	1149	74	101	07.10-05.11	*
1.2 TCe 100 (E4MF) (D4F 780)	Gasolina	FWD	1149	75	102	02.11-08.13	*
1.6 (E4MB, E4MC) (K4M 854)	Gasolina	FWD	1598	98	133	07.10-08.13	*