

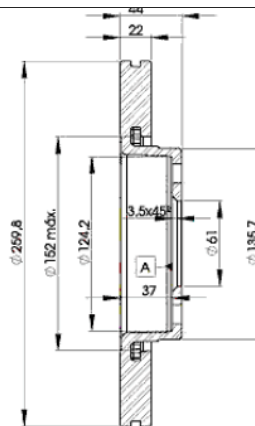
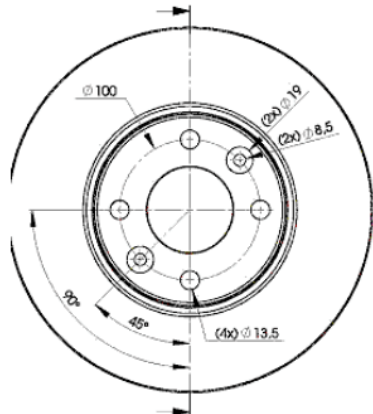
LISTA DE APLICACIONES - BUYERS GUIDE

78RBD27795



Weight: 11.112

| O.E.M. | MAKE |
|---------------|--------|
| 40206-AX600 | NISSAN |
| 40206-AX602 | NISSAN |
| 40206-AX603 | NISSAN |
| 77 01 207 795 | DACIA |



78RBD27795

E1 90R-02C0433/0056



Ø260x22x44

Sin Filas



| Trac. | CC | Kw | CV | Hourglass icon | Front / Rear |
|-------|----|----|----|----------------|--------------|
|-------|----|----|----|----------------|--------------|

DACIA

LOGAN (US_) 03.08-

Pick-up (Compact car-C Segment)

| | | | | | | | |
|--------------------------------------|------------------|-----|------|----|-----|-------------|---|
| 1.4 (K7J 710) | Gasolina | FWD | 1390 | 55 | 75 | 01.09- | * |
| 1.6 MPI 85 (K7M 800) | Gasolina | FWD | 1598 | 62 | 84 | 05.10- | * |
| 1.6 (K7M 710) | Gasolina | FWD | 1598 | 64 | 87 | 03.08- | * |
| 1.6 16V (US1Y) (K4M 690) | Gasolina | FWD | 1598 | 77 | 105 | 01.10-08.13 | * |
| 1.6 BiFuel (K7M 800) | Gasol./Gas (LPG) | FWD | 1598 | 62 | 84 | 05.10- | * |
| 1.5 dCi (US00, US0J, US0Y) (K9K 794) | Diesel | FWD | 1461 | 48 | 65 | 04.08-12.12 | * |
| 1.5 dCi (US0K) (K9K 792) | Diesel | FWD | 1461 | 50 | 68 | 03.08- | * |
| 1.5 dCi (K9K 892) | Diesel | FWD | 1461 | 55 | 75 | 05.10- | * |
| 1.5 dCi (US0W) (K9K 796) | Diesel | FWD | 1461 | 63 | 86 | 03.08- | * |
| 1.5 dCi (K9K 892) | Diesel | FWD | 1461 | 65 | 88 | 05.10- | * |

LOGAN EXPRESS (FS_) 10.07-

[CAMBIADO]:Furgón/Break (Compact car-C Segment)

| | | | | | | | |
|----------------------------|------------------|-----|------|----|----|-------------|---|
| 1.6 MPI 85 (K7M 800) | Gasolina | FWD | 1598 | 62 | 84 | 05.10- | * |
| 1.6 LPG (K7M 818) | Gasol./Gas (LPG) | FWD | 1598 | 62 | 84 | 05.10-12.12 | * |
| 1.5 dCi (FS0Y, FS00, FS0J) | Diesel | FWD | 1461 | 48 | 65 | 10.07-12.12 | * |
| 1.5 dCi (K9K 892) | Diesel | FWD | 1461 | 55 | 75 | 05.10- | * |
| 1.5 dCi (FS0W) (K9K 796) | Diesel | FWD | 1461 | 63 | 86 | 03.09- | * |
| 1.5 dCi (K9K 892) | Diesel | FWD | 1461 | 65 | 88 | 05.10- | * |

LOGAN MCV (KS_) 02.07-

[CAMBIADO]:Break (Compact car-C Segment)

| | | | | | | | |
|----------------------|------------------|-----|------|----|----|--------|---|
| 1.6 MPI 85 (K7M 800) | Gasolina | FWD | 1598 | 62 | 84 | 05.10- | * |
| 1.6 BiFuel (K7M 718) | Gasol./Gas (LPG) | FWD | 1598 | 62 | 84 | 05.10- | * |

LISTA DE APLICACIONES - BUYERS GUIDE

| | | | | | | | | |
|--|--|------------------|-----|------|--|-----|-------------|---|
| 1.6 16V Hi-Flex (K4M 690) | | Gasol./Etanol | FWD | 1598 | 77 | 105 | 11.09- | * |
| 1.5 dCi (K9K 790) | | Diesel | FWD | 1461 | 48 | 65 | 04.08-06.13 | * |
| LADA | | | | | | | | |
| LARGUS (KS0_, RS0_, KSA_) 03.12- | | | | | [CAMBIADO]:Break (Compact car-C Segment) | | | |
| 1.6 (KS035, RS035) (11189) | | Gasolina | FWD | 1597 | 64 | 87 | 04.16-03.21 | * |
| 1.6 (KS045, RS045) (21129) | | Gasolina | FWD | 1597 | 78 | 106 | 09.17- | * |
| 1.6 (RS0Y5, KS0Y5) (K7M) | | Gasolina | FWD | 1598 | 62 | 84 | 03.12- | * |
| 1.6 (KS0Y5, RS0Y5) (K4M) | | Gasolina | FWD | 1598 | 77 | 105 | 03.12- | * |
| 1.6 CNG (KSA45) (21129) | | Gasol./Gas (CNG) | FWD | 1597 | 69 | 94 | 11.18- | * |
| LARGUS (KS0_, RS0_, KSA_) 03.12- | | | | | [CAMBIADO]:Furgón/Break (Compact car-C Segment) | | | |
| 1.6 (KS035, RS035) (11189) | | Gasolina | FWD | 1597 | 64 | 87 | 06.16- | * |
| 1.6 (KS045, RS045) (21129) | | Gasolina | FWD | 1597 | 78 | 106 | 09.17- | * |
| 1.6 (KS0Y5, RS0Y5) (K7M) | | Gasolina | FWD | 1598 | 62 | 84 | 03.12- | * |
| 1.6 (KS0Y5, RS0Y5) (K4M) | | Gasolina | FWD | 1598 | 75 | 102 | 04.16- | * |
| 1.6 (KS0Y5, RS0Y5) (K4M) | | Gasolina | FWD | 1598 | 77 | 105 | 03.12- | * |
| 1.6 CNG (KSA45) (21129) | | Gasol./Gas (CNG) | FWD | 1597 | 69 | 94 | 11.18- | * |
| LARGUS (FS0_, FSA_) 03.12- | | | | | [CAMBIADO]:Furgón (LCVs-N1 Segment) | | | |
| 1.6 (FS035) (11189) | | Gasolina | FWD | 1597 | 64 | 87 | 06.16- | * |
| 1.6 (FS045) (21129) | | Gasolina | FWD | 1597 | 78 | 106 | 09.17- | * |
| 1.6 (FS015) (K7M) | | Gasolina | FWD | 1598 | 62 | 84 | 03.12- | * |
| 1.6 (FS0Y5) (K4M) | | Gasolina | FWD | 1598 | 77 | 105 | 03.12- | * |
| 1.6 CNG (FSA45) (21129) | | Gasol./Gas (CNG) | FWD | 1597 | 69 | 94 | 11.18- | * |
| NISSAN | | | | | | | | |
| BLUEBIRD SYLPHY II (G11) 09.05- | | | | | Sedán (Compact car-C Segment) | | | |
| 1.6 (G15) (K4M) | | Gasolina | FWD | 1598 | 75 | 102 | 12.12- | * |
| MICRA II / MARCH (K11) 01.92-12.07 | | | | | [CAMBIADO]:Fastback (Supermini car-B Segment) | | | |
| 1.0 i 16V (K11) (CG10DE) | | Gasolina | FWD | 998 | 44 | 60 | 07.00-02.03 | * |
| 1.4 i 16V (AK11) (CGA3DE) | | Gasolina | FWD | 1348 | 60 | 82 | 09.00-02.03 | * |
| 1.5 D (TD15) | | Diesel | FWD | 1527 | 42 | 57 | 02.98-02.03 | * |
| MICRA III / MARCH (K12) 03.02-09.11 | | | | | [CAMBIADO]:Fastback (Supermini car-B Segment) | | | |
| 1.0 16V (K12) (CG10DE) | | Gasolina | FWD | 998 | 48 | 65 | 01.03-06.10 | * |
| 1.2 16V (CG12DE) | | Gasolina | FWD | 1240 | 48 | 65 | 01.03-06.10 | * |
| 1.2 16V (CR12DE) | | Gasolina | FWD | 1240 | 48 | 65 | 01.03-06.10 | * |
| 1.2 16V (CG12DE) | | Gasolina | FWD | 1240 | 59 | 80 | 01.03-06.10 | * |
| 1.2 16V (CR12DE) | | Gasolina | FWD | 1240 | 59 | 80 | 01.03-06.10 | * |
| 1.2 (AK12) | | Gasolina | FWD | 1240 | 66 | 90 | 03.02-06.10 | * |
| 1.2 12 SR (AK12) | | Gasolina | FWD | 1240 | 80 | 109 | 10.03-07.05 | * |
| 1.2 12 SR (AK12) | | Gasolina | FWD | 1240 | 81 | 110 | 08.05-06.10 | * |
| 1.3 | | Gasolina | FWD | 1348 | 60 | 82 | 08.04-06.10 | * |
| 1.4 16V (CR14DE) | | Gasolina | FWD | 1386 | 65 | 88 | 01.03-06.10 | * |
| 1.4 (BK12) | | Gasolina | FWD | 1386 | 72 | 98 | 03.07-06.10 | * |
| 1.5 160 SR (YK12) | | Gasolina | FWD | 1498 | 80 | 109 | 05.05-06.10 | * |
| 160 SR (HR16DE) | | Gasolina | FWD | 1598 | 81 | 110 | 05.05-06.10 | * |
| 1.2 LPG (CR12DE) | | Gasol./Gas (LPG) | FWD | 1240 | 59 | 80 | 10.02-06.10 | * |

LISTA DE APLICACIONES - BUYERS GUIDE

| | | | | | | | | | |
|---|--|------------------|-----|------|--|-----|-------------|---|--|
| 1.5 dCi (K9K 704) | | Diesel | FWD | 1461 | 48 | 65 | 01.03-06.10 | * | |
| 1.5 dCi (K9K 708) | | Diesel | FWD | 1461 | 50 | 68 | 06.05-06.10 | * | |
| 1.5 dCi (K9K 722) | | Diesel | FWD | 1461 | 60 | 82 | 09.03-06.10 | * | |
| 1.5 dCi (K9K 276) | | Diesel | FWD | 1461 | 63 | 86 | 06.05-06.10 | * | |
| MICRA III C+C / MARCH (K12) 08.05- | | | | | Cabrio (Supermini car-B Segment) | | | | |
| 1.4 16V (CR14DE) | | Gasolina | FWD | 1386 | 65 | 88 | 08.05-01.09 | * | |
| 1.6 160 SR (HR16DE) | | Gasolina | FWD | 1598 | 81 | 110 | 08.05-06.10 | * | |
| MICRA V / MARCH (K14) 12.16- | | | | | [CAMBIADO]:Fastback (Supermini car-B Segment) | | | | |
| 0.9 IG-T (H4B 408) | | Gasolina | FWD | 898 | 66 | 90 | 12.16- | * | |
| 0.9 IG-T (HR09DET) | | Gasolina | FWD | 898 | 66 | 90 | 12.16- | * | |
| 1.0 (B4D 410) | | Gasolina | FWD | 998 | 52 | 71 | 12.16- | * | |
| 1.0 (BR10DE) | | Gasolina | FWD | 998 | 52 | 71 | 12.16- | * | |
| 1.0 (B4D 410) | | Gasolina | FWD | 998 | 54 | 73 | 12.16- | * | |
| 1.0 (BR10DE) | | Gasolina | FWD | 998 | 54 | 73 | 12.16- | * | |
| 1.0 DIG-T 117 (HR10DDT) | | Gasolina | FWD | 999 | 86 | 117 | 02.19- | * | |
| 0.9 LPG (HR09DET) | | Gasol./Gas (LPG) | FWD | 898 | 64 | 87 | 03.19- | * | |
| 1.5 dCi (K9K 628) | | Diesel | FWD | 1461 | 66 | 90 | 12.16- | * | |
| NOTE (E11, NE11) 01.05-08.13 | | | | | MPV (Mini MPV-M1 Segment) | | | | |
| 1.4 (CR14DE) | | Gasolina | FWD | 1386 | 65 | 88 | 01.06-08.13 | * | |
| 1.5 (HR15DE) | | Gasolina | FWD | 1498 | 80 | 109 | 03.06-12.10 | * | |
| 1.5 | | Gasolina | FWD | 1498 | 80 | 109 | 01.06-12.10 | * | |
| 1.6 (HR16DE) | | Gasolina | FWD | 1598 | 81 | 110 | 03.06-06.12 | * | |
| 1.4 LPG (CR14DE) | | Gasol./Gas (LPG) | FWD | 1386 | 65 | 88 | 01.06-08.13 | * | |
| 1.5 dCi (K9K 700) | | Diesel | FWD | 1461 | 50 | 68 | 03.06-06.12 | * | |
| 1.5 dCi (K9K 276) | | Diesel | FWD | 1461 | 63 | 86 | 03.06-06.12 | * | |
| 1.5 dCi (K9K 276) | | Diesel | FWD | 1461 | 66 | 90 | 09.10-06.12 | * | |
| 1.5 dCi (K9K 288) | | Diesel | FWD | 1461 | 76 | 103 | 07.08-06.12 | * | |
| NOTE II / VERSA NOTE (E12) 09.12- | | | | | MPV (Mini MPV-M1 Segment) | | | | |
| 1.6 | | Gasolina | FWD | 1598 | 80 | 109 | 06.13- | * | |
| 1.6 | | Gasolina | FWD | 1598 | 81 | 110 | 06.13- | * | |
| NOTE VAN (E11) 01.05-08.13 | | | | | Furgoneta/MPV (Mini MPV-M1 Segment) | | | | |
| 1.5 dCi | | Diesel | FWD | 1461 | 63 | 86 | 01.11-09.12 | * | |
| SUNNY X (N17) 01.11- | | | | | Sedán (Supermini car-B Segment) | | | | |
| 1.5 | | Gasolina | FWD | 1498 | 74 | 101 | 01.11- | * | |
| TIIDA / VERSA (C11) 05.04-12.14 | | | | | [CAMBIADO]:Fastback (City car-A Segment) | | | | |
| 1.6 (HR16DE) | | Gasolina | FWD | 1598 | 81 | 110 | 09.07-12.11 | * | |
| 1.8 (JC11) (MR18DE) | | Gasolina | FWD | 1798 | 93 | 126 | 09.04-12.11 | * | |
| 1.5 dCi (K9K) | | Diesel | FWD | 1461 | 78 | 106 | 09.07-12.11 | * | |
| 1.5 dCi (K9K 278) | | Diesel | FWD | 1461 | 78 | 106 | 09.07-12.11 | * | |
| TIIDA / VERSA (SC11) 05.04-02.14 | | | | | Sedán (City car-A Segment) | | | | |
| 1.6 (C11L) (HR16DE) | | Gasolina | FWD | 1598 | 81 | 110 | 09.07-12.12 | * | |
| 1.8 | | Gasolina | FWD | 1797 | 92 | 125 | 01.12- | * | |
| 1.8 Flex | | Gasolina | FWD | 1797 | 92 | 125 | 07.10- | * | |
| 1.8 (MR18DE) | | Gasolina | FWD | 1798 | 93 | 126 | 09.07-12.12 | * | |
| 1.5 dCi (K9K) | | Diesel | FWD | 1461 | 78 | 106 | 09.07-12.12 | * | |
| 1.5 dCi (K9K 278) | | Diesel | FWD | 1461 | 78 | 106 | 09.07-12.12 | * | |

RENAULT

LISTA DE APLICACIONES - BUYERS GUIDE

| CLIO II / EURO CLIO (BR0/1, CR0/1) 01.05- | | | | | [CAMBIADO]:Fastback (Supermini car-B Segment) | | | |
|--|------------------|-----|------|----|--|-------------|---|--|
| 1.2 16V (D4F 764) | Gasolina | FWD | 1149 | 43 | 58 | 06.06-08.10 | * | |
| 1.2 16V (BR0R, BR1D, BR1L, CR0R) (D4F 740) | Gasolina | FWD | 1149 | 48 | 65 | 06.05-12.14 | * | |
| 1.2 16V (BR02, BR0J, BR11, CR02, CR0J, CR11) (D4F 706) | Gasolina | FWD | 1149 | 55 | 75 | 06.05-12.14 | * | |
| 1.2 16V (BR02, BR0J, BR11, CR02, CR0J, CR11) (D4F 740) | Gasolina | FWD | 1149 | 55 | 75 | 06.05-12.14 | * | |
| 1.2 16V (BR02, BR0J, BR11, CR02, CR0J, CR11) (D4F 764) | Gasolina | FWD | 1149 | 55 | 75 | 06.05-12.14 | * | |
| 1.2 (BR01, BR03, BR0E, CR0E) (D4F 764) | Gasolina | FWD | 1149 | 57 | 78 | 10.05-12.12 | * | |
| 1.2 16V (D4F 764) | Gasolina | FWD | 1149 | 58 | 78 | 06.05-12.14 | * | |
| 1.2 16V (BR0P, CR0P) (D4F 784) | Gasolina | FWD | 1149 | 74 | 101 | 05.07-12.14 | * | |
| 1.2 16V (D4F 786) | Gasolina | FWD | 1149 | 76 | 103 | 09.10-12.14 | * | |
| 1.4 16V (K4J 780) | Gasolina | FWD | 1390 | 72 | 98 | 06.05-12.12 | * | |
| 1.6 16V (BR09, BR0T, CR09, CR0T) (K4M 804) | Gasolina | FWD | 1598 | 65 | 88 | 06.05-10.07 | * | |
| 1.6 | Gasolina | FWD | 1598 | 79 | 107 | 09.05-12.10 | * | |
| 1.6 16V (BR05, BR0B, BR0Y, BR15, BR1J, BR1M, BR1Y, CR0B,...) (K4M 800) | Gasolina | FWD | 1598 | 82 | 112 | 06.05-12.14 | * | |
| 1.6 16V (BR05, BR0B, BR0Y, BR15, BR1J, BR1M, BR1Y, CR0B,...) (K4M 801) | Gasolina | FWD | 1598 | 82 | 112 | 06.05-12.14 | * | |
| 1.6 16V GT (BR10, CR10) (K4M 862) | Gasolina | FWD | 1598 | 94 | 128 | 06.09-12.14 | * | |
| 1.2 16V Hi-Flex (BR1U, CR1U) (D4F 740) | Gasol./Gas (LPG) | FWD | 1149 | 55 | 75 | 07.08-12.14 | * | |
| 1.2 Ethanol (CR1U, BR1U) (D4F 742) | Gasol./Etanol | FWD | 1149 | 55 | 75 | 07.08-12.12 | * | |
| 1.5 dCi (K9K 752) | Diesel | FWD | 1461 | 47 | 64 | 06.05-12.12 | * | |
| 1.5 dCi (K9K 752) | Diesel | FWD | 1461 | 48 | 65 | 05.05-11.10 | * | |
| 1.5 dCi (C/BR0G, C/BR1G) (K9K 714) | Diesel | FWD | 1461 | 50 | 68 | 06.05-12.12 | * | |
| 1.5 dCi (C/BR0G, C/BR1G) (K9K 768) | Diesel | FWD | 1461 | 50 | 68 | 06.05-12.12 | * | |
| 1.5 dCi (K9K 770) | Diesel | FWD | 1461 | 55 | 75 | 08.10-12.14 | * | |
| 1.5 dCi (K9K 750) | Diesel | FWD | 1461 | 60 | 82 | 11.07-12.12 | * | |
| 1.5 dCi (BR17, CR17) (K9K 766) | Diesel | FWD | 1461 | 63 | 86 | 06.05-12.12 | * | |
| 1.5 dCi (K9K 766) | Diesel | FWD | 1461 | 65 | 88 | 08.10-12.14 | * | |
| 1.5 dCi (K9K 770) | Diesel | FWD | 1461 | 65 | 88 | 08.10-12.14 | * | |
| 1.5 dCi (BR1C, CR1C) (K9K 772) | Diesel | FWD | 1461 | 76 | 103 | 06.05-12.12 | * | |
| 1.5 dCi (BR0H, CR0H, CR1S, BR1S) (K9K 764) | Diesel | FWD | 1461 | 78 | 106 | 06.05-12.14 | * | |
| 1.5 dCi (BR0H, CR0H, CR1S, BR1S) (K9K 774) | Diesel | FWD | 1461 | 78 | 106 | 06.05-12.14 | * | |
| CLIO III (SB_, SR_) 06.05- | | | | | Furgón/hatchback (LCVs-N1 Segment) | | | |
| 1.2 (SR0J) (D4F 740) | Gasolina | FWD | 1149 | 55 | 75 | 11.05-12.14 | * | |
| 1.2 (SR0P) (D4F 784) | Gasolina | FWD | 1149 | 74 | 101 | 11.07-12.11 | * | |
| 1.2 Hi-Flex (SR1U) (D4F 742) | Gasol./Etanol | FWD | 1149 | 58 | 79 | 11.07-12.09 | * | |
| 1.5 dCi (K9K 768) | Diesel | FWD | 1461 | 50 | 68 | 10.05-07.10 | * | |
| 1.5 dCi | Diesel | FWD | 1461 | 55 | 75 | 08.10-12.14 | * | |
| 1.5 dCi (K9K 766) | Diesel | FWD | 1461 | 63 | 86 | 06.05-07.10 | * | |
| 1.5 dCi (SR1H) (K9K 770) | Diesel | FWD | 1461 | 65 | 88 | 08.10-12.14 | * | |
| 1.5 dCi (K9K 764) | Diesel | FWD | 1461 | 78 | 106 | 10.05-10.07 | * | |
| CLIO III Grandtour (KR0/1_) 11.07- | | | | | [CAMBIADO]:Break (Supermini car-B Segment) | | | |
| 1.2 16V (KR02, KR0J) (D4F 740) | Gasolina | FWD | 1149 | 55 | 75 | 02.08-12.14 | * | |
| 1.2 16V (KR0E) (D4F 764) | Gasolina | FWD | 1149 | 58 | 78 | 11.07-12.14 | * | |
| 1.2 16V (KR0P) (D4F 784) | Gasolina | FWD | 1149 | 74 | 101 | 11.07-12.12 | * | |
| 1.2 16V (D4F 786) | Gasolina | FWD | 1149 | 76 | 103 | 03.10-12.12 | * | |
| 1.4 16V (K4J 780) | Gasolina | FWD | 1390 | 72 | 98 | 11.07-12.12 | * | |
| 1.6 16V | Gasolina | FWD | 1598 | 80 | 109 | 11.07-12.12 | * | |

LISTA DE APLICACIONES - BUYERS GUIDE

| | | | | | | | | |
|---|--|---------------|-----|------|--|-----|-------------|---|
| 1.6 16V (KR0B) (K4M 800) | | Gasolina | FWD | 1598 | 82 | 112 | 11.07-12.12 | * |
| 1.6 16V (KR0B) (K4M 801) | | Gasolina | FWD | 1598 | 82 | 112 | 11.07-12.12 | * |
| 1.6 16V (KR10) (K4M 862) | | Gasolina | FWD | 1598 | 94 | 128 | 11.07-12.12 | * |
| 1.2 16V Hi-Flex (KR0S) (D4F 740) | | Gasol./Etanol | FWD | 1149 | 55 | 75 | 07.08-12.14 | * |
| 1.2 16V Hi-Flex (KR1U) (D4F 742) | | Gasol./Etanol | FWD | 1149 | 58 | 79 | 11.07-12.12 | * |
| 1.5 dCi (K9K 752) | | Diesel | FWD | 1461 | 48 | 65 | 11.07-12.12 | * |
| 1.5 dCi (K9K 770) | | Diesel | FWD | 1461 | 55 | 75 | 08.10-12.12 | * |
| 1.5 dCi (K9K 770) | | Diesel | FWD | 1461 | 65 | 88 | 08.10-12.12 | * |
| 1.5 dCi (K9K 772) | | Diesel | FWD | 1461 | 65 | 88 | 08.10-12.12 | * |
| 1.5 dCi (KR1C, KR1N) (K9K 772) | | Diesel | FWD | 1461 | 76 | 103 | 11.07-12.12 | * |
| 1.5 dCi (KR0H, KR1S) (K9K 764) | | Diesel | FWD | 1461 | 78 | 106 | 02.08-12.12 | * |
| 1.5 dCi (KR0H, KR1S) (K9K 774) | | Diesel | FWD | 1461 | 78 | 106 | 02.08-12.12 | * |
| LOGAN II MCV / TONDAR (K8_) 11.13- | | | | | [CAMBIADO]:Break (Compact car-C Segment) | | | |
| 1.6 (K7M 812) | | Gasolina | FWD | 1598 | 59 | 80 | 12.13- | * |
| 1.5 dCi (K9K 838) | | Diesel | FWD | 1461 | 62 | 84 | 12.13- | * |
| 1.5 dCi | | Diesel | FWD | 1461 | 66 | 90 | 12.13- | * |
| LOGAN EXPRESS / TONDAR (US_) 04.07- | | | | | [CAMBIADO]:Furgón/Break (Compact car-C Segment) | | | |
| 1.6 (K7M 710) | | Gasolina | FWD | 1598 | 64 | 87 | 04.07- | * |
| MEGANE (BA0/1_) 08.95-12.04 | | | | | [CAMBIADO]:Fastback (Compact car-C Segment) | | | |
| 1.4 16V (BA0D, BA1H, BA0W, BA10) (K4J 714) | | Gasolina | FWD | 1390 | 70 | 95 | 03.99-08.03 | * |
| 1.4 16V (BA0D, BA1H, BA0W, BA10) (K4J 750) | | Gasolina | FWD | 1390 | 70 | 95 | 03.99-08.03 | * |
| MEGANE Grandtour (KA0/1_) 03.99-08.03 | | | | | [CAMBIADO]:Break (Compact car-C Segment) | | | |
| 1.4 e (KA0V) (E7J 626) | | Gasolina | FWD | 1390 | 55 | 75 | 03.99-08.03 | * |
| 1.4 16V (KA0D, KA1H, KA0W, KA10) (K4J 714) | | Gasolina | FWD | 1390 | 70 | 95 | 03.99-08.03 | * |
| 1.4 16V (KA0D, KA1H, KA0W, KA10) (K4J 750) | | Gasolina | FWD | 1390 | 70 | 95 | 03.99-08.03 | * |
| 1.6 e (KA0F) (K7M 702) | | Gasolina | FWD | 1598 | 66 | 90 | 03.99-08.03 | * |
| 1.6 e (KA0F) (K7M 703) | | Gasolina | FWD | 1598 | 66 | 90 | 03.99-08.03 | * |
| 1.6 16V (KA0B, KA04, KA11) (K4M 700) | | Gasolina | FWD | 1598 | 79 | 107 | 03.99-08.03 | * |
| 1.6 16V (KA0B, KA04, KA11) (K4M 701) | | Gasolina | FWD | 1598 | 79 | 107 | 03.99-08.03 | * |
| 1.6 16V (KA0B, KA04, KA11) (K4M 708) | | Gasolina | FWD | 1598 | 79 | 107 | 03.99-08.03 | * |
| 1.6 16V (KA0B, KA04, KA11) (K4M 709) | | Gasolina | FWD | 1598 | 79 | 107 | 03.99-08.03 | * |
| MEGANE Classic (LA0/1_) 09.96-08.08 | | | | | Sedán (Compact car-C Segment) | | | |
| 1.4 16V (LA0D, LA1H, IA0W, LA10) (K4J 714) | | Gasolina | FWD | 1390 | 70 | 95 | 03.99-08.03 | * |
| 1.4 16V (LA0D, LA1H, IA0W, LA10) (K4J 750) | | Gasolina | FWD | 1390 | 70 | 95 | 03.99-08.03 | * |
| MEGANE II (KM0/1_) 08.03-08.12 | | | | | [CAMBIADO]:Break (Compact car-C Segment) | | | |
| 1.4 (K4J 730) | | Gasolina | FWD | 1390 | 72 | 98 | 08.03-07.09 | * |
| 1.4 (K4J 740) | | Gasolina | FWD | 1390 | 72 | 98 | 08.03-07.09 | * |
| 1.5 dCi (KM0F, KM0T, KM2B) (K9K 722) | | Diesel | FWD | 1461 | 60 | 82 | 08.03-05.06 | * |
| 1.5 dCi (KM1F) (K9K 724) | | Diesel | FWD | 1461 | 63 | 86 | 05.05-07.09 | * |
| 1.5 dCi (KM02, KM13) (K9K 728) | | Diesel | FWD | 1461 | 74 | 101 | 02.04-03.06 | * |
| 1.5 dCi (KM02, KM13) (K9K 729) | | Diesel | FWD | 1461 | 74 | 101 | 02.04-03.06 | * |
| 1.5 dCi (KM16) (K9K 734) | | Diesel | FWD | 1461 | 76 | 103 | 01.07-07.09 | * |
| 1.5 dCi (KM16, KM1E) (K9K 732) | | Diesel | FWD | 1461 | 78 | 106 | 05.05-06.08 | * |
| MEGANE II (BM0/1_, CM0/1_) 07.01-10.12 | | | | | [CAMBIADO]:Fastback (Compact car-C Segment) | | | |
| 1.4 16V (K4J 732) | | Gasolina | FWD | 1390 | 60 | 82 | 10.03-02.08 | * |
| 1.4 16V (BM0B, CM0B) (K4J 730) | | Gasolina | FWD | 1390 | 72 | 98 | 11.02-02.08 | * |
| 1.4 16V (BM0B, CM0B) (K4J 740) | | Gasolina | FWD | 1390 | 72 | 98 | 11.02-02.08 | * |

LISTA DE APLICACIONES - BUYERS GUIDE

| | | | | | | | |
|--|------------------|-----|------|----|-----|-------------|--|
| 1.5 dCi (BM0F, BM0T, BM2B, CM0F, CM0T) (K9K 722) | Diesel | FWD | 1461 | 60 | 82 | 09.02-02.08 | * |
| 1.5 dCi (BM1F, CM1F) (K9K 724) | Diesel | FWD | 1461 | 63 | 86 | 05.05-02.08 | * |
| 1.5 dCi (BM02, BM13, BM2A, CM02, CM13) (K9K 728) | Diesel | FWD | 1461 | 74 | 101 | 10.03-02.08 | * |
| 1.5 dCi (BM02, BM13, BM2A, CM02, CM13) (K9K 729) | Diesel | FWD | 1461 | 74 | 101 | 10.03-02.08 | * |
| 1.5 dCi (BM16, CM16) (K9K 734) | Diesel | FWD | 1461 | 76 | 103 | 01.07-03.09 | * |
| 1.5 dCi (BM1E, CM1E) (K9K 732) | Diesel | FWD | 1461 | 78 | 106 | 05.05-06.08 | * |
| MEGANE II (EM0/1_) 09.03-03.10 | | | | | | | Cabrio (Compact car-C Segment) |
| 1.5 dCi (EM16) (K9K 734) | Diesel | FWD | 1461 | 76 | 103 | 01.07-06.09 | * |
| 1.5 dCi (EM1E) (K9K 732) | Diesel | FWD | 1461 | 78 | 106 | 03.06-01.09 | * |
| MEGANE II (LM0/1_) 08.03- | | | | | | | Sedán (Compact car-C Segment) |
| 1.4 (K4J 732) | Gasolina | FWD | 1390 | 60 | 82 | 09.03- | * |
| 1.4 (K4J 730) | Gasolina | FWD | 1390 | 72 | 98 | 09.03- | * |
| 1.4 (K4J 740) | Gasolina | FWD | 1390 | 72 | 98 | 09.03- | * |
| 1.5 dCi (LM0F, LM0T, LM2B) (K9K 722) | Diesel | FWD | 1461 | 60 | 82 | 08.03-12.10 | * |
| 1.5 dCi (LM1F) (K9K 724) | Diesel | FWD | 1461 | 63 | 86 | 05.05-12.10 | * |
| 1.5 dCi (LM02, LM13, LM2A) (K9K 728) | Diesel | FWD | 1461 | 74 | 101 | 02.04-12.10 | * |
| 1.5 dCi (LM02, LM13, LM2A) (K9K 729) | Diesel | FWD | 1461 | 74 | 101 | 02.04-12.10 | * |
| 1.5 dCi (LM16) (K9K 734) | Diesel | FWD | 1461 | 76 | 103 | 10.03-12.10 | * |
| 1.5 dCi (LM1E) (K9K 732) | Diesel | FWD | 1461 | 78 | 106 | 05.05-12.10 | * |
| MEGANE Kombi van (KA_) 02.00-07.03 | | | | | | | [CAMBIADO]:Furgón/Break (Compact car-C Segment) |
| 1.4 (KA0D) (K4J 714) | Gasolina | FWD | 1390 | 70 | 95 | 04.01-07.03 | * |
| 1.4 (KA0D) (K4J 750) | Gasolina | FWD | 1390 | 70 | 95 | 04.01-07.03 | * |
| MODUS / GRAND MODUS (F/JP0_) 09.04- | | | | | | | [CAMBIADO]:Fastback (Mini MPV-M1 Segment) |
| 1.2 (FP0C, FP0K, FP0P) (D4F 740) | Gasolina | FWD | 1149 | 48 | 65 | 05.05-10.07 | * |
| 1.2 (JP0C, JP0K, FP0C, FP0K, FP0P, JP0P, JP0T) (D4F 740) | Gasolina | FWD | 1149 | 55 | 75 | 12.04-12.13 | * |
| 1.2 (JP0S) (D4F 764) | Gasolina | FWD | 1149 | 58 | 78 | 12.04-12.13 | * |
| 1.2 16V (JP0W) (D4F 784) | Gasolina | FWD | 1149 | 74 | 101 | 05.07-12.13 | * |
| 1.2 (JP1E) (D4F 786) | Gasolina | FWD | 1149 | 76 | 103 | 04.11-12.13 | * |
| 1.4 (JP01, JP0J) (K4J 770) | Gasolina | FWD | 1390 | 72 | 98 | 12.04-12.13 | * |
| 1.4 (JP01, JP0J) (K4J 780) | Gasolina | FWD | 1390 | 72 | 98 | 12.04-12.13 | * |
| 1.6 (JP0L, JP0V) (K4M 794) | Gasolina | FWD | 1598 | 65 | 88 | 12.04-10.07 | * |
| 1.6 (JP03, JP0B, JP0U, JP0Y, JP1G) (K4M 790) | Gasolina | FWD | 1598 | 82 | 112 | 12.04-12.13 | * |
| 1.6 (JP03, JP0B, JP0U, JP0Y, JP1G) (K4M 791) | Gasolina | FWD | 1598 | 82 | 112 | 12.04-12.13 | * |
| 1.6 (JP03, JP0B, JP0U, JP0Y, JP1G) (K4M 800) | Gasolina | FWD | 1598 | 82 | 112 | 12.04-12.13 | * |
| 1.6 (JP03, JP0B, JP0U, JP0Y, JP1G) (K4M 801) | Gasolina | FWD | 1598 | 82 | 112 | 12.04-12.13 | * |
| 1.2 GPL (JP0R) (D4F 744) | Gasol./Gas (LPG) | FWD | 1149 | 55 | 75 | 05.08-12.12 | * |
| 1.2 16V Hi-Flex (D4F 740) | Gasol./Etanol | FWD | 1149 | 55 | 75 | 10.08-12.13 | * |
| 1.5 dCi (FP0E, JP0E) (K9K 752) | Diesel | FWD | 1461 | 48 | 65 | 12.04-12.13 | * |
| 1.5 dCi (FP0E, JP0E) (K9K 768) | Diesel | FWD | 1461 | 48 | 65 | 12.04-12.13 | * |
| 1.5 dCi (FP0G, JP0G) (K9K 768) | Diesel | FWD | 1461 | 50 | 68 | 12.04-12.13 | * |
| 1.5 dCi 75 (K9K 770) | Diesel | FWD | 1461 | 55 | 75 | 10.10-12.13 | * |
| 1.5 dCi (FP0D, JP0D) (K9K 750) | Diesel | FWD | 1461 | 60 | 82 | 09.04-10.07 | * |
| 1.5 dCi (FP0F, JP0F) (K9K 760) | Diesel | FWD | 1461 | 63 | 86 | 12.04-12.13 | * |
| 1.5 dCi (FP0F, JP0F) (K9K 766) | Diesel | FWD | 1461 | 63 | 86 | 12.04-12.13 | * |
| 1.5 dCi 90 (K9K 750) | Diesel | FWD | 1461 | 65 | 88 | 10.10-12.13 | * |
| 1.5 dCi 90 (K9K 770) | Diesel | FWD | 1461 | 65 | 88 | 10.10-12.13 | * |
| 1.5 dCi (JP02) (K9K 772) | Diesel | FWD | 1461 | 76 | 103 | 05.07-12.13 | * |

LISTA DE APLICACIONES - BUYERS GUIDE

| | | | | | | | |
|--|----------|-----|------|--|-----|-------------|---|
| 1.5 dCi (JP0G, JP0H) (K9K 764) | Diesel | FWD | 1461 | 78 | 106 | 05.05-12.13 | * |
| THALIA II / SYMBOL (LU_) 09.08- | | | | Sedán (Supermini car-B Segment) | | | |
| 1.2 16V (LU2V) (D4F 728) | Gasolina | FWD | 1149 | 55 | 75 | 09.08-06.14 | * |
| 1.6 | Gasolina | FWD | 1598 | 66 | 90 | 01.09-05.12 | * |
| 1.6 16V (K4M 743) | Gasolina | FWD | 1598 | 77 | 105 | 09.08-03.13 | * |
| 1.6 16V (LU1A, LU1B, LU1D, LU2M) (K4M 744) | Gasolina | FWD | 1598 | 79 | 107 | 01.09-06.14 | * |
| 1.6 16V (LU1A, LU1B, LU1D, LU2M) (K4M 745) | Gasolina | FWD | 1598 | 79 | 107 | 01.09-06.14 | * |
| 1.5 dCi (K9K 740) | Diesel | FWD | 1461 | 47 | 64 | 09.08-06.14 | * |
| 1.5 dCi (K9K 700) | Diesel | FWD | 1461 | 48 | 65 | 01.09-06.14 | * |
| 1.5 dCi (K9K 718) | Diesel | FWD | 1461 | 62 | 85 | 09.08-12.12 | * |
| 1.5 dCi (K9K 834) | Diesel | FWD | 1461 | 66 | 90 | 01.09-12.12 | * |