

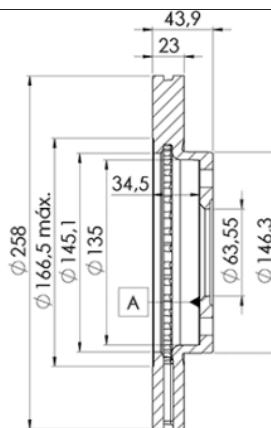
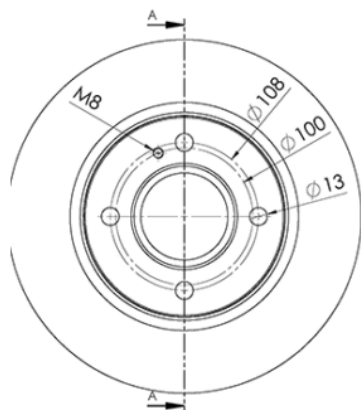
LISTA DE APLICACIONES - BUYERS GUIDE

78RBD25636



Weight: 11.552

O.E.M.	MAKE
1 523 795	FORD
1 535 924	FORD
1 546 835	FORD
1 679 853	FORD
8V51-1125-AA	FORD
8V51-1125-AB	FORD
8V51-1125-AC	FORD
8V51-1125-AD	FORD



78RBD25636

E1 90R-02C0452/0077



Ø258x23x43.9

Sin Filas



Trac.	CC	Kw	CV
-------	----	----	----



Front / Rear

FORD

				[CAMBIADO]:Fastback (Supermini car-B Segment)				
<b>FIESTA V / IKON (JH_, JD_) 11.01-12.14</b>								
1.6		Gasolina	FWD	1597	70	95	06.08-12.11	*
<b>FIESTA VI (CB1, CCN) 06.08-</b>				[CAMBIADO]:Fastback (Supermini car-B Segment)				
1.0 (XMJA)		Gasolina	FWD	998	48	65	01.13-04.17	*
1.0 (XMJB)		Gasolina	FWD	998	48	65	01.13-04.17	*
1.0 (XMJC)		Gasolina	FWD	998	48	65	01.13-04.17	*
1.0 (XMJD)		Gasolina	FWD	998	48	65	01.13-04.17	*
1.0 (P4JA)		Gasolina	FWD	998	59	80	10.12-04.17	*
1.0 (P4JB)		Gasolina	FWD	998	59	80	10.12-04.17	*
1.0 (P4JC)		Gasolina	FWD	998	59	80	10.12-04.17	*
1.0 (P4JD)		Gasolina	FWD	998	59	80	10.12-04.17	*
1.0 EcoBoost (SFJA)		Gasolina	FWD	998	74	100	01.13-04.17	*
1.0 EcoBoost (SFJB)		Gasolina	FWD	998	74	100	01.13-04.17	*
1.0 EcoBoost (SFJC)		Gasolina	FWD	998	74	100	01.13-04.17	*
1.0 EcoBoost (SFJD)		Gasolina	FWD	998	74	100	01.13-04.17	*
1.0 EcoBoost (M1JE)		Gasolina	FWD	998	92	125	09.12-04.17	*
1.0 EcoBoost (M1JH)		Gasolina	FWD	998	92	125	09.12-04.17	*
1.0 Sport (YYJA)		Gasolina	FWD	998	103	140	05.14-04.17	*
1.0 Sport (YYJB)		Gasolina	FWD	998	103	140	05.14-04.17	*
1.0		Gasolina	FWD	999	51	69	04.10-	*
1.0 Flex		Gasolina	FWD	999	51	69	04.10-	*
1.0 Flex		Gasolina	FWD	999	54	73	04.10-	*
1.25 (STJA)		Gasolina	FWD	1242	44	60	06.08-04.17	*

## LISTA DE APLICACIONES - BUYERS GUIDE

1.25 (STJB)		Gasolina	FWD	1242	44	60	06.08-04.17	*
1.25 (STJC)		Gasolina	FWD	1242	44	60	06.08-04.17	*
1.25 (STJD)		Gasolina	FWD	1242	44	60	06.08-04.17	*
1.25 (SNJA)		Gasolina	FWD	1242	60	82	06.08-04.17	*
1.25 (SNJB)		Gasolina	FWD	1242	60	82	06.08-04.17	*
1.25 (SNJC)		Gasolina	FWD	1242	60	82	06.08-04.17	*
1.25 (SNJD)		Gasolina	FWD	1242	60	82	06.08-04.17	*
1.4 (RTJA)		Gasolina	FWD	1388	71	97	10.08-04.17	*
1.4 (RTJB)		Gasolina	FWD	1388	71	97	10.08-04.17	*
1.4 (SPJA)		Gasolina	FWD	1388	71	97	10.08-04.17	*
1.4 (SPJC)		Gasolina	FWD	1388	71	97	10.08-04.17	*
1.4 (SPJE)		Gasolina	FWD	1388	71	97	10.08-04.17	*
1.5 Duratec		Gasolina	FWD	1498	82	112	09.15-	*
1.6 (XTJA)		Gasolina	FWD	1596	62	85	03.15-04.17	*
1.6		Gasolina	FWD	1596	81	110	09.10-	*
1.6 Flexfuel		Gasolina	FWD	1596	85	116	06.10-	*
1.6 Ti (HXJA)		Gasolina	FWD	1596	88	120	06.08-01.18	*
1.6 Ti (HXJB)		Gasolina	FWD	1596	88	120	06.08-01.18	*
1.6 Ti (HXJE)		Gasolina	FWD	1596	88	120	06.08-01.18	*
1.6 (HXJA)		Gasolina	FWD	1596	89	121	10.10-04.17	*
1.6 Ti (U5JA)		Gasolina	FWD	1596	99	134	12.10-04.17	*
1.6		Gasolina	FWD	1597	72	98	04.10-	*
1.6		Gasolina	FWD	1597	90	122	01.11-04.17	*
1.6 Flex		Gasolina	FWD	1598	74	101	04.10-	*
1.4 LPG (RTJA)		Gasol./Gas (LPG)	FWD	1388	68	92	01.09-04.17	*
1.4 LPG (RTJB)		Gasol./Gas (LPG)	FWD	1388	68	92	01.09-04.17	*
1.4 LPG (RTJD)		Gasol./Gas (LPG)	FWD	1388	68	92	01.09-04.17	*
1.4 LPG (RTJA)		Gasol./Gas (LPG)	FWD	1388	71	97	01.09-04.17	*
1.4 LPG (RTJB)		Gasol./Gas (LPG)	FWD	1388	71	97	01.09-04.17	*
1.4 LPG (RTJD)		Gasol./Gas (LPG)	FWD	1388	71	97	01.09-04.17	*
1.4 LPG (SPJA)		Gasol./Gas (LPG)	FWD	1388	71	97	01.09-04.17	*
1.4 LPG (SPJC)		Gasol./Gas (LPG)	FWD	1388	71	97	01.09-04.17	*
1.4 LPG (SPJE)		Gasol./Gas (LPG)	FWD	1388	71	97	01.09-04.17	*
1.4 TDCi (F6JB)		Diesel	FWD	1399	50	68	08.08-09.12	*
1.4 TDCi (F6JD)		Diesel	FWD	1399	50	68	08.08-09.12	*
1.4 TDCi (F6JD)		Diesel	FWD	1399	51	70	07.10-09.12	*
1.4 TDCi (KVJA)		Diesel	FWD	1399	51	70	07.10-09.12	*
1.5 TDCi (UGJC)		Diesel	FWD	1499	55	75	09.12-04.17	*
1.5 TDCi (XUJA)		Diesel	FWD	1499	55	75	09.12-04.17	*
1.5 TDCi (XUJB)		Diesel	FWD	1499	55	75	09.12-04.17	*
1.5 TDCi (XVJB)		Diesel	FWD	1499	70	95	05.15-04.17	*
1.5 TDCi (XVJC)		Diesel	FWD	1499	70	95	05.15-04.17	*
1.6 TDCi (HHJF)		Diesel	FWD	1560	55	75	06.08-12.12	*
1.6 TDCi (UBJA)		Diesel	FWD	1560	55	75	06.08-12.12	*
1.6 TDCi (HHJC)		Diesel	FWD	1560	66	90	06.08-12.12	*
1.6 TDCi (HHJD)		Diesel	FWD	1560	66	90	06.08-12.12	*
1.6 TDCi (HHJE)		Diesel	FWD	1560	66	90	06.08-12.12	*

# LISTA DE APLICACIONES - BUYERS GUIDE

1.6 TDCi (T3JA)		Diesel	FWD	1560	70	95	02.10-12.15	*	
1.6 TDCi (TZJA)		Diesel	FWD	1560	70	95	02.10-12.15	*	
1.6 TDCi (TZJB)		Diesel	FWD	1560	70	95	02.10-12.15	*	
<b>FIESTA VI (B299) 08.08-</b>							<b>Furgón/hatchback (LCVs-N1 Segment)</b>		
1.0 (XMJA)		Gasolina	FWD	998	48	65	01.13-04.17	*	
1.0 (XMJB)		Gasolina	FWD	998	48	65	01.13-04.17	*	
1.0 (XMJC)		Gasolina	FWD	998	48	65	01.13-04.17	*	
1.0 (XMJD)		Gasolina	FWD	998	48	65	01.13-04.17	*	
1.0 (P4JA)		Gasolina	FWD	998	59	80	10.12-04.17	*	
1.0 (P4JB)		Gasolina	FWD	998	59	80	10.12-04.17	*	
1.0 (P4JC)		Gasolina	FWD	998	59	80	10.12-04.17	*	
1.0 (P4JD)		Gasolina	FWD	998	59	80	10.12-04.17	*	
1.0 EcoBoost (SFJA)		Gasolina	FWD	998	74	100	01.13-04.17	*	
1.0 EcoBoost (SFJB)		Gasolina	FWD	998	74	100	01.13-04.17	*	
1.0 EcoBoost (SFJC)		Gasolina	FWD	998	74	100	01.13-04.17	*	
1.0 EcoBoost (SFJD)		Gasolina	FWD	998	74	100	01.13-04.17	*	
1.0 EcoBoost (M1JE)		Gasolina	FWD	998	92	125	09.12-04.17	*	
1.0 EcoBoost (M1JH)		Gasolina	FWD	998	92	125	09.12-04.17	*	
1.0 EcoBoost (YYJA)		Gasolina	FWD	998	103	140	05.14-04.17	*	
1.0 EcoBoost (YYJB)		Gasolina	FWD	998	103	140	05.14-04.17	*	
1.25 (STJA)		Gasolina	FWD	1242	44	60	08.08-12.12	*	
1.25 (STJB)		Gasolina	FWD	1242	44	60	08.08-12.12	*	
1.25 (SNJA)		Gasolina	FWD	1242	60	82	01.09-04.17	*	
1.25 (SNJB)		Gasolina	FWD	1242	60	82	01.09-04.17	*	
1.25 (SNJC)		Gasolina	FWD	1242	60	82	01.09-04.17	*	
1.25 (SNJD)		Gasolina	FWD	1242	60	82	01.09-04.17	*	
1.4 (SPJA)		Gasolina	FWD	1388	71	97	10.08-12.12	*	
1.4 (SPJC)		Gasolina	FWD	1388	71	97	10.08-12.12	*	
1.6 Ti-VCT (HXJA)		Gasolina	FWD	1596	88	120	10.08-12.12	*	
1.6 Ti-VCT (HXJB)		Gasolina	FWD	1596	88	120	10.08-12.12	*	
1.4 TDCi (F6JB)		Diesel	FWD	1399	50	68	01.09-04.17	*	
1.4 TDCi (F6JD)		Diesel	FWD	1399	50	68	01.09-04.17	*	
1.4 TDCi (F6JD)		Diesel	FWD	1399	51	70	07.10-04.17	*	
1.4 TDCi (KVJA)		Diesel	FWD	1399	51	70	07.10-04.17	*	
1.5 TDCi (UGJC)		Diesel	FWD	1499	55	75	10.12-04.17	*	
1.5 TDCi (XUJA)		Diesel	FWD	1499	55	75	10.12-04.17	*	
1.5 TDCi (XUJB)		Diesel	FWD	1499	55	75	10.12-04.17	*	
1.5 TDCi (XVJB)		Diesel	FWD	1499	70	95	05.15-04.17	*	
1.5 TDCi (XVJC)		Diesel	FWD	1499	70	95	05.15-04.17	*	
1.6 TDCi (HHJC)		Diesel	FWD	1560	66	90	01.09-04.17	*	
1.6 TDCi (HHJD)		Diesel	FWD	1560	66	90	01.09-04.17	*	
1.6 TDCi (HHJE)		Diesel	FWD	1560	66	90	01.09-04.17	*	
1.6 TDCi (T3JA)		Diesel	FWD	1560	70	95	02.10-05.15	*	
1.6 TDCi (TZJA)		Diesel	FWD	1560	70	95	02.10-05.15	*	
1.6 TDCi (TZJB)		Diesel	FWD	1560	70	95	02.10-05.15	*	
<b>FIESTA VI (B299) 04.10-</b>							<b>Sedán (Supermini car-B Segment)</b>		
1.0 Flex		Gasolina	FWD	999	51	69	04.10-	*	
1.0 Flex		Gasolina	FWD	999	54	73	04.10-	*	
1.25		Gasolina	FWD	1242	44	60	10.12-	*	
1.4		Gasolina	FWD	1388	70	95	10.10-04.17	*	

# LISTA DE APLICACIONES - BUYERS GUIDE

1.5 Duratec		Gasolina	FWD	1498	82	112	09.15-	*		
1.6 (XTJA)		Gasolina	FWD	1596	62	85	03.15-04.17	*		
1.6 Ti (IQJA)		Gasolina	FWD	1596	77	105	03.15-04.17	*		
1.6 Ti (IQJC)		Gasolina	FWD	1596	77	105	03.15-04.17	*		
1.6 Ti (IQJE)		Gasolina	FWD	1596	77	105	03.15-04.17	*		
1.6 Flex		Gasolina	FWD	1596	79	107	04.10-	*		
1.6		Gasolina	FWD	1596	81	110	09.10-04.17	*		
1.6 Flex		Gasolina	FWD	1596	85	116	06.10-	*		
1.6 Ti (HXJA)		Gasolina	FWD	1596	88	120	04.10-04.17	*	*	
1.6 Ti (HXJB)		Gasolina	FWD	1596	88	120	04.10-04.17	*	*	
1.6 Ti (HXJE)		Gasolina	FWD	1596	88	120	04.10-04.17	*	*	
1.6		Gasolina	FWD	1596	89	121	10.10-	*		
1.6		Gasolina	FWD	1597	72	98	04.10-	*		
1.6 Flex		Gasolina	FWD	1598	74	101	04.10-	*		
1.6 Flex		Gasolina	FWD	1598	79	107	04.10-	*		
1.6 TDCi		Diesel	RWD	1560	66	90	10.10-	*		
<b>KA+ III (UK, FK) 08.14-</b>							<b>[CAMBIADO]:Fastback (Supermini car-B Segment)</b>			
1.2		Gasolina	FWD	1194	51	69	02.18-12.20	*		
1.2		Gasolina	FWD	1194	63	85	02.18-12.20	*		
1.2 Ti-VCT (YSKD)		Gasolina	FWD	1196	63	85	06.16-12.20	*		
1.2 Ti-VCT (YSKE)		Gasolina	FWD	1196	63	85	06.16-12.20	*		
1.2 Ti-VCT		Gasolina	FWD	1196	65	88	09.15-	*		
1.2 (B2KA)		Gasolina	FWD	1198	51	70	06.16-12.20	*		
1.5 (UEJB)		Gasolina	FWD	1499	82	112	09.15-01.18	*		
1.5 TDCi		Diesel	FWD	1499	66	90	02.18-12.20	*		
1.5 TDCi		Diesel	FWD	1499	70	95	02.18-12.20	*		
<b>KA+ III (TK, FK) 08.14-</b>							<b>Sedán (Supermini car-B Segment)</b>			
1.2 (TK) (YSKD)		Gasolina	FWD	1196	63	85	06.16-12.20	*		
1.2 (TK) (YSKE)		Gasolina	FWD	1196	63	85	06.16-12.20	*		
1.2		Gasolina	FWD	1196	65	88	09.15-01.18	*		
1.5 (UEJB)		Gasolina	FWD	1499	82	112	09.15-01.18	*		
<b>FORD AUSTRALIA</b>										
<b>FIESTA (WS) 10.08-</b>							<b>[CAMBIADO]:Fastback (Supermini car-B Segment)</b>			
1.6 i (HXJA)		Gasolina	FWD	1596	88	120	10.08-12.10	*		