

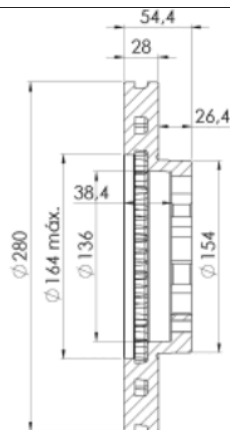
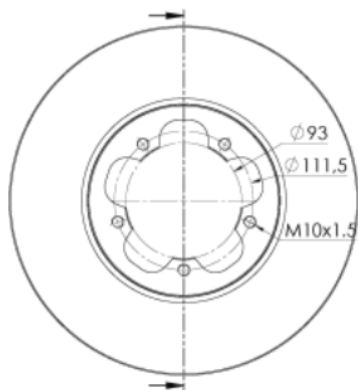
LISTA DE APLICACIONES - BUYERS GUIDE

78RBD25632



Weight: 15.220

O.E.M.	MAKE
1371394	FORD
1503290	FORD
1547061	FORD



78RBD25632



Ø280x28x54.6

Sin Filas



Trac.	CC	Kw	CV
-------	----	----	----



Front / Rear

FORD

TRANSIT V (FA_) 04.06-				[CAMBIADO]:Furgón (LCVs-N1 Segment)				
2.2 TDCi (P8FA)		Diesel	FWD	2198	63	85	04.06-08.14	*
2.2 TDCi (P8FB)		Diesel	FWD	2198	63	85	04.06-08.14	*
2.2 TDCi (DRFA)		Diesel	FWD	2198	74	100	10.11-08.14	*
2.2 TDCi (DRFB)		Diesel	FWD	2198	74	100	10.11-08.14	*
2.2 TDCi (DRFC)		Diesel	FWD	2198	74	100	10.11-08.14	*
2.2 TDCi (DRFD)		Diesel	FWD	2198	74	100	10.11-08.14	*
2.2 TDCi (DRFE)		Diesel	FWD	2198	74	100	10.11-08.14	*
2.2 TDCi (QVFA)		Diesel	FWD	2198	81	110	04.06-08.14	*
2.2 TDCi (SRFA)		Diesel	FWD	2198	85	115	10.08-08.14	*
2.2 TDCi (SRFB)		Diesel	FWD	2198	85	115	10.08-08.14	*
2.2 TDCi (SRFC)		Diesel	FWD	2198	85	115	10.08-08.14	*
2.2 TDCi (SRFD)		Diesel	FWD	2198	85	115	10.08-08.14	*
2.2 TDCi (SRFE)		Diesel	FWD	2198	85	115	10.08-08.14	*
2.2 TDCi (CYFA)		Diesel	FWD	2198	92	125	10.11-08.14	*
2.2 TDCi (CYFB)		Diesel	FWD	2198	92	125	10.11-08.14	*
2.2 TDCi (CYFC)		Diesel	FWD	2198	92	125	10.11-08.14	*
2.2 TDCi (CYFD)		Diesel	FWD	2198	92	125	10.11-08.14	*
2.2 TDCi (QWFA)		Diesel	FWD	2198	96	130	04.06-08.14	*
2.2 TDCi (PGFA)		Diesel	FWD	2198	103	140	10.07-08.14	*
2.2 TDCi (PGFB)		Diesel	FWD	2198	103	140	10.07-08.14	*
2.2 TDCi (UHFA)		Diesel	FWD	2198	103	140	10.07-08.14	*
2.2 TDCi (UHFB)		Diesel	FWD	2198	103	140	10.07-08.14	*
2.2 TDCi (UHFC)		Diesel	FWD	2198	103	140	10.07-08.14	*

LISTA DE APLICACIONES - BUYERS GUIDE

TRANSIT V (FD_ , FB_ , FS_ , FZ_ , FC_) 04.06-					Bus (Minibus-M2-Segment)			
2.2 TDCi (P8FA)		Diesel	FWD	2198	63	85	04.06-08.14	*
2.2 TDCi (P8FB)		Diesel	FWD	2198	63	85	04.06-08.14	*
2.2 TDCi (DRFA)		Diesel	FWD	2198	74	100	10.11-08.14	*
2.2 TDCi (DRFB)		Diesel	FWD	2198	74	100	10.11-08.14	*
2.2 TDCi (DRFC)		Diesel	FWD	2198	74	100	10.11-08.14	*
2.2 TDCi (DRFD)		Diesel	FWD	2198	74	100	10.11-08.14	*
2.2 TDCi (DRFE)		Diesel	FWD	2198	74	100	10.11-08.14	*
2.2 TDCi (QVFA)		Diesel	FWD	2198	81	110	04.06-08.14	*
2.2 TDCi (SRFA)		Diesel	FWD	2198	85	115	10.08-08.14	*
2.2 TDCi (SRFB)		Diesel	FWD	2198	85	115	10.08-08.14	*
2.2 TDCi (SRFC)		Diesel	FWD	2198	85	115	10.08-08.14	*
2.2 TDCi (SRFD)		Diesel	FWD	2198	85	115	10.08-08.14	*
2.2 TDCi (SRFE)		Diesel	FWD	2198	85	115	10.08-08.14	*
2.2 TDCi (CYFA)		Diesel	FWD	2198	92	125	10.11-08.14	*
2.2 TDCi (CYFB)		Diesel	FWD	2198	92	125	10.11-08.14	*
2.2 TDCi (CYFC)		Diesel	FWD	2198	92	125	10.11-08.14	*
2.2 TDCi (CYFD)		Diesel	FWD	2198	92	125	10.11-08.14	*
2.2 TDCi (QWFA)		Diesel	FWD	2198	96	130	04.06-08.14	*
2.2 TDCi (PGFA)		Diesel	FWD	2198	103	140	10.07-08.14	*
2.2 TDCi (PGFB)		Diesel	FWD	2198	103	140	10.07-08.14	*
2.2 TDCi (UHFA)		Diesel	FWD	2198	103	140	10.07-08.14	*
2.2 TDCi (UHFB)		Diesel	FWD	2198	103	140	10.07-08.14	*
2.2 TDCi (UHFC)		Diesel	FWD	2198	103	140	10.07-08.14	*
TRANSIT V (FM_ , FN_ , FF_) 04.06-12.14					Caja/Chasis (LCVs-N1 Segment)			
2.2 TDCi (P8FA)		Diesel	FWD	2198	63	85	04.06-08.14	*
2.2 TDCi (P8FB)		Diesel	FWD	2198	63	85	04.06-08.14	*
2.2 TDCi (DRFA)		Diesel	FWD	2198	74	100	10.11-08.14	*
2.2 TDCi (DRFB)		Diesel	FWD	2198	74	100	10.11-08.14	*
2.2 TDCi (DRFC)		Diesel	FWD	2198	74	100	10.11-08.14	*
2.2 TDCi (DRFD)		Diesel	FWD	2198	74	100	10.11-08.14	*
2.2 TDCi (DRFE)		Diesel	FWD	2198	74	100	10.11-08.14	*
2.2 TDCi (QVFA)		Diesel	FWD	2198	81	110	04.06-08.14	*
2.2 TDCi (SRFA)		Diesel	FWD	2198	85	115	10.08-08.14	*
2.2 TDCi (SRFB)		Diesel	FWD	2198	85	115	10.08-08.14	*
2.2 TDCi (SRFC)		Diesel	FWD	2198	85	115	10.08-08.14	*
2.2 TDCi (SRFD)		Diesel	FWD	2198	85	115	10.08-08.14	*
2.2 TDCi (SRFE)		Diesel	FWD	2198	85	115	10.08-08.14	*
2.2 TDCi (CYFA)		Diesel	FWD	2198	92	125	10.11-08.14	*
2.2 TDCi (CYFB)		Diesel	FWD	2198	92	125	10.11-08.14	*
2.2 TDCi (CYFC)		Diesel	FWD	2198	92	125	10.11-08.14	*
2.2 TDCi (CYFD)		Diesel	FWD	2198	92	125	10.11-08.14	*
2.2 TDCi (QWFA)		Diesel	FWD	2198	96	130	04.06-08.14	*
2.2 TDCi (PGFA)		Diesel	FWD	2198	103	140	10.07-08.14	*
2.2 TDCi (PGFB)		Diesel	FWD	2198	103	140	10.07-08.14	*
2.2 TDCi (UHFA)		Diesel	FWD	2198	103	140	10.07-08.14	*
2.2 TDCi (UHFB)		Diesel	FWD	2198	103	140	10.07-08.14	*
2.2 TDCi (UHFC)		Diesel	FWD	2198	103	140	10.07-08.14	*
TRANSIT TOURNEO III 07.06-08.14					Bus (Minibus-M2-Segment)			
2.2 TDCi (QVFA)		Diesel	FWD	2198	81	110	07.06-08.14	*

LISTA DE APLICACIONES - BUYERS GUIDE

2.2 TDCi (SRFA)		Diesel	FWD	2198	85	115	10.08-08.14	*
2.2 TDCi (SRFB)		Diesel	FWD	2198	85	115	10.08-08.14	*
2.2 TDCi (SRFC)		Diesel	FWD	2198	85	115	10.08-08.14	*
2.2 TDCi (SRFD)		Diesel	FWD	2198	85	115	10.08-08.14	*
2.2 TDCi (SRFE)		Diesel	FWD	2198	85	115	10.08-08.14	*
2.2 TDCi (QWFA)		Diesel	FWD	2198	96	131	07.06-08.14	*
2.2 TDCi (PGFA)		Diesel	FWD	2198	103	140	10.07-08.14	*
2.2 TDCi (PGFB)		Diesel	FWD	2198	103	140	10.07-08.14	*
2.2 TDCi (UHFA)		Diesel	FWD	2198	103	140	10.07-08.14	*
2.2 TDCi (UHFB)		Diesel	FWD	2198	103	140	10.07-08.14	*
2.2 TDCi (UHFC)		Diesel	FWD	2198	103	140	10.07-08.14	*