

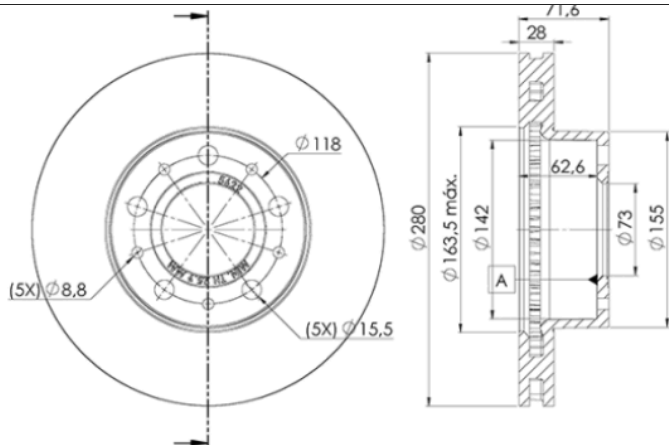
LISTA DE APLICACIONES - BUYERS GUIDE

78RBD25622



Weight: 15.516

O.E.M.	MAKE
4249.28	PEUGEOT
4249.29	PEUGEOT
4249.98	PEUGEOT
4249.K2	PEUGEOT
51 705 749	FIAT
51 740 246	FIAT
51 848 620	FIAT
51 848 621	FIAT
6001073177	FIAT



78RBD25622



Ø280x28x71.6

Sin Filas



Trac.	CC	Kw	CV
-------	----	----	----



Front / Rear

CITROËN

JUMPER III / RELAY 04.06-						[CAMBIADO]:Furgón (LCVs-N1 Segment)			
2.0 BlueHdi 110 (AHM (DW10FUE))	Diesel	FWD	1997	81	110	11.15-09.19	*		
2.0 BlueHdi 130 (AHN (DW10FUD))	Diesel	FWD	1997	96	130	11.15-09.19	*		
2.0 BlueHdi 160 (AHP (DW10FUC))	Diesel	FWD	1997	120	163	11.15-09.19	*		
2.0 BlueHdi 160 4x4 (AHP (DW10FUC))	Diesel	4WD	1997	120	163	11.15-09.19	*		
2.2 HDi 100 (4HV (P22DTE))	Diesel	FWD	2198	74	101	04.06-12.12	*		
2.2 HDi 110 (4HG (P22DTE))	Diesel	FWD	2198	81	110	07.11-12.20	*		
2.2 HDi 120 (4HU (P22DTE))	Diesel	FWD	2198	88	120	04.06-12.16	*		
2.2 HDi 130 (4HH (P22DTE))	Diesel	FWD	2198	96	130	07.11-	*		
2.2 HDi 150 (4HJ (P22DTE))	Diesel	FWD	2198	110	150	07.11-	*		
3.0 HDi 145 (F30DTE (F1CE3481N))	Diesel	FWD	2999	107	146	07.10-12.13	*		
3.0 HDi 155 (F1CE0481D (F30DT))	Diesel	FWD	2999	115	156	07.06-12.15	*		
3.0 HDi 160 (F1CE0481D (F30DT))	Diesel	FWD	2999	116	157	09.06-12.15	*		
3.0 HDi 180 (F1CE3481E (F30DTE))	Diesel	FWD	2999	130	177	07.11-	*		

JUMPER III / RELAY 04.06-						Bus (Minibus-M2-Segment)			
2.0 BlueHdi 110 (AHM (DW10FUE))	Diesel	FWD	1997	81	110	07.15-09.19	*		
2.0 BlueHdi 130 (AHN (DW10FUD))	Diesel	FWD	1997	96	130	07.15-09.19	*		
2.0 BlueHdi 160 (AHP (DW10FUC))	Diesel	FWD	1997	120	163	07.15-09.19	*		
2.2 HDi 100 (4HV (P22DTE))	Diesel	FWD	2198	74	101	04.06-	*		
2.2 HDi 110 (4HG (P22DTE))	Diesel	FWD	2198	81	110	07.11-12.20	*		
2.2 HDi 120 (4HU (P22DTE))	Diesel	FWD	2198	88	120	04.06-12.16	*		
2.2 HDi 130 (4HH (P22DTE))	Diesel	FWD	2198	96	130	07.11-	*		
2.2 HDi 150 (4HJ (P22DTE))	Diesel	FWD	2198	110	150	07.11-	*		

LISTA DE APLICACIONES - BUYERS GUIDE

3.0 HDi 155 (F1CE0481D (F30DT))		Diesel	FWD	2999	115	157	07.06-	*
3.0 HDi 160 (F1CE0481D (F30DT))		Diesel	FWD	2999	116	157	09.06-	*
3.0 HDi 180 (F1CE3481E (F30DTE))		Diesel	FWD	2999	130	177	07.11-	*
JUMPER III / RELAY 04.06-					Caja/Chasis (LCVs-N1 Segment)			
2.0 BlueHdi 110 (AHM (DW10FUE))		Diesel	FWD	1997	81	110	11.15-09.19	*
2.0 BlueHdi 130 (AHN (DW10FUD))		Diesel	FWD	1997	96	130	11.15-09.19	*
2.0 BlueHdi 130 4x4 (AHN (DW10FUD))		Diesel	4WD	1997	96	130	11.15-09.19	*
2.0 BlueHdi 160 (AHP (DW10FUC))		Diesel	FWD	1997	120	163	11.15-09.19	*
2.0 BlueHdi 160 4x4 (AHP (DW10FUC))		Diesel	4WD	1997	120	163	11.15-09.19	*
2.2 HDi 100 (4HV (P22DTE))		Diesel	FWD	2198	74	101	04.06-	*
2.2 HDi 110 (4HG (P22DTE))		Diesel	FWD	2198	81	110	07.11-12.20	*
2.2 HDi 120 (4HU (P22DTE))		Diesel	FWD	2198	88	120	04.06-12.16	*
2.2 HDi 130 (4HH (P22DTE))		Diesel	FWD	2198	96	130	07.06-	*
2.2 HDi 150 (4HJ (P22DTE))		Diesel	FWD	2198	110	150	07.11-	*
3.0 HDi 145 (F30DTE (F1CE3481N))		Diesel	FWD	2999	107	146	07.10-12.13	*
3.0 HDi 160 (F1CE0481D (F30DT))		Diesel	FWD	2999	116	157	09.06-12.15	*
3.0 HDi 180 (F1CE3481E (F30DTE))		Diesel	FWD	2999	130	177	07.11-	*
FIAT								
DUCATO III (250_) 07.06-					[CAMBIADO]:Furgón (LCVs-N1 Segment)			
115 Multijet 2,0 D (250 A1.000)		Diesel	FWD	1956	85	116	06.11-	*
115 Multijet 2,0 D (250 A2.000)		Diesel	FWD	1956	85	116	06.11-	*
100 Multijet 2,2 D (4HV)		Diesel	FWD	2198	74	101	07.06-05.11	*
110 Multijet 2,3 D (F1AE3481G)		Diesel	FWD	2287	83	113	10.11-07.14	*
120 Multijet 2,3 D (F1AE0481D)		Diesel	FWD	2287	88	120	07.06-	*
120 Multijet 2,3 D (F1AGL4114)		Diesel	FWD	2287	88	120	07.06-	*
120 Multijet 2,3 D 4x4 (F1AE0481D)		Diesel	4WD	2287	88	120	03.10-	*
130 Multijet 2,3 D		Diesel	FWD	2287	93	126	08.06-12.18	*
130 Multijet 2,3 D (F1AE0481N)		Diesel	FWD	2287	96	131	08.06-	*
130 Multijet 2,3 D (F1AE3481D)		Diesel	FWD	2287	96	131	08.06-	*
130 Multijet 2,3 D (F1AGL411D)		Diesel	FWD	2287	96	131	08.06-	*
150 Multijet 2,3 D (F1AE3481E)		Diesel	FWD	2287	109	148	06.11-	*
150 Multijet 2,3 D (F1AGL411A)		Diesel	FWD	2287	110	150	12.15-	*
150 Multijet 2,3 D (F1AGL411C)		Diesel	FWD	2287	110	150	12.15-	*
180 Multijet 2,3 D (F1AGL4111)		Diesel	FWD	2287	130	177	12.15-	*
180 Multijet 2,3 D (F1AGL411B)		Diesel	FWD	2287	130	177	12.15-	*
150 Multijet 3,0 D (F1CE3481N)		Diesel	FWD	2999	107	146	04.10-07.14	*
160 Multijet 3,0 D (F1CE3481M)		Diesel	FWD	2999	115	156	07.06-12.11	*
160 Multijet 3,0 D (F1CE0481D)		Diesel	FWD	2999	116	158	07.06-05.11	*
180 Multijet 3,0 D (F1CE3481E)		Diesel	FWD	2999	130	177	06.11-	*
140 Natural Power (F1CE0441A)		CNG	FWD	2999	100	136	04.09-	*
140 Natural Power (F1CFA401A)		CNG	FWD	2999	100	136	04.09-	*
DUCATO III (250_) 07.06-					Bus (Minibus-M2-Segment)			
115 Multijet 2,0 D (250 A1.000)		Diesel	FWD	1956	85	116	06.11-	*
115 Multijet 2,0 D (250 A2.000)		Diesel	FWD	1956	85	116	06.11-	*
100 Multijet 2,2 D (4HV)		Diesel	FWD	2198	74	101	07.06-05.11	*
110 Multijet 2,3 D (F1AE3481G)		Diesel	FWD	2287	83	113	10.11-07.14	*
120 Multijet 2,3 D (F1AE0481D)		Diesel	FWD	2287	88	120	07.06-10.13	*
130 Multijet 2,3 D		Diesel	FWD	2287	93	126	01.10-	*
130 Multijet 2,3 D (F1AE0481N)		Diesel	FWD	2287	96	131	01.07-	*
130 Multijet 2,3 D (F1AE3481D)		Diesel	FWD	2287	96	131	01.07-	*

LISTA DE APLICACIONES - BUYERS GUIDE

130 Multijet 2,3 D (F1AGL411D)		Diesel	FWD	2287	96	131	01.07-	*	
150 Multijet 2,3 D (F1AE3481E)		Diesel	FWD	2287	109	148	06.11-	*	
150 Multijet 2,3 D (F1AGL411A)		Diesel	FWD	2287	110	150	04.15-	*	
150 Multijet 2,3 D (F1AGL411C)		Diesel	FWD	2287	110	150	04.15-	*	
180 Multijet 2,3 D		Diesel	FWD	2287	130	177	12.15-	*	
150 Multijet 3,0 D (F1CE3481N)		Diesel	FWD	2999	107	146	04.10-07.14	*	
160 Multijet 3,0 D (F1CE0481D)		Diesel	FWD	2999	115	156	10.06-05.11	*	
160 Multijet 3,0 D (F1CE0481D)		Diesel	FWD	2999	116	158	07.06-05.11	*	
160 Multijet 3,0 D (F1CE3481M)		Diesel	FWD	2999	116	158	07.06-05.11	*	
180 Multijet 3,0 D (F1CE3481E)		Diesel	FWD	2999	130	177	06.11-	*	
140 Natural Power (F1CE0441A)		CNG	FWD	2999	100	136	04.09-	*	
140 Natural Power (F1CFA401A)		CNG	FWD	2999	100	136	04.09-	*	
DUCATO III (250_) 07.06-					Caja/Chasis (LCVs-N1 Segment)				
115 Multijet 2,0 D (250 A1.000)		Diesel	FWD	1956	85	116	06.11-	*	
115 Multijet 2,0 D (250 A2.000)		Diesel	FWD	1956	85	116	06.11-	*	
100 Multijet 2,2 D (4HV)		Diesel	FWD	2198	74	101	07.06-05.11	*	
110 Multijet 2,3 D (F1AE3481G)		Diesel	FWD	2287	83	113	10.11-07.14	*	
120 Multijet 2,3 D (F1AE0481D)		Diesel	FWD	2287	88	120	07.06-	*	
120 Multijet 2,3 D (F1AGL4114)		Diesel	FWD	2287	88	120	07.06-	*	
120 Multijet 2,3 D 4x4 (F1AE0481D)		Diesel	4WD	2287	88	120	03.10-	*	
130 Multijet 2,3 D		Diesel	FWD	2287	93	126	08.06-	*	
130 Multijet 2,3 D (F1AE0481N)		Diesel	FWD	2287	96	131	08.06-	*	
130 Multijet 2,3 D (F1AE3481D)		Diesel	FWD	2287	96	131	08.06-	*	
130 Multijet 2,3 D (F1AGL411D)		Diesel	FWD	2287	96	131	08.06-	*	
150 Multijet 2,3 D (F1AE3481E)		Diesel	FWD	2287	109	148	06.11-	*	
150 Multijet 2,3 D (F1AGL411C)		Diesel	FWD	2287	110	150	12.15-	*	
180 Multijet 2,3 D (F1AGL4111)		Diesel	FWD	2287	130	177	12.15-	*	
180 Multijet 2,3 D (F1AGL411B)		Diesel	FWD	2287	130	177	12.15-	*	
150 Multijet 3,0 D (F1CE3481N)		Diesel	FWD	2999	107	146	04.10-07.14	*	
160 Multijet 3,0 D (F1CE3481M)		Diesel	FWD	2999	115	156	07.06-05.11	*	
160 Multijet 3,0 D (F1CE0481D)		Diesel	FWD	2999	116	158	07.06-05.14	*	
180 Multijet 3,0 D (F1CE3481E)		Diesel	FWD	2999	130	177	06.11-	*	
140 Natural Power (F1CE0441A)		CNG	FWD	2999	100	136	04.09-	*	
140 Natural Power (F1CFA401A)		CNG	FWD	2999	100	136	04.09-	*	
OPEL									
MOVANO C (U9, X250) 12.21-					[CAMBIADO]:Furgón (LCVs-N1 Segment)				
2.2 D		Diesel	FWD	2179	88	120	12.21-10.23	*	
2.2 D		Diesel	FWD	2179	103	140	12.21-10.23	*	
2.2 D		Diesel	FWD	2179	121	165	12.21-10.23	*	
MOVANO C (U9, X250) 12.21-					Caja/Chasis (LCVs-N1 Segment)				
2.2 D		Diesel	FWD	2179	88	120	12.21-10.23	*	
2.2 D		Diesel	FWD	2179	103	140	12.21-10.23	*	
2.2 D		Diesel	FWD	2179	121	165	12.21-10.23	*	
PEUGEOT									
BOXER III / MANAGER 04.06-					[CAMBIADO]:Furgón (LCVs-N1 Segment)				
2.0 BlueHDi 110 (AHM (DW10FUE))		Diesel	FWD	1997	81	110	03.16-09.19	*	
2.0 BlueHDi 130 (AHN (DW10FUD))		Diesel	FWD	1997	96	130	03.16-09.19	*	
2.0 BlueHDi 160 (AHP (DW10FUC))		Diesel	FWD	1997	120	163	03.16-12.23	*	
2.2 HDi 100 (4HV (P22DTE))		Diesel	FWD	2198	74	101	04.06-	*	

LISTA DE APLICACIONES - BUYERS GUIDE

2.2 HDi 110 (4HG (P22DTE))		Diesel	FWD	2198	81	110	03.11-12.20	*	
2.2 HDi 120 (4HU (P22DTE))		Diesel	FWD	2198	88	120	04.06-12.16	*	
2.2 HDi 130 (4HH (P22DTE))		Diesel	FWD	2198	96	131	03.11-	*	
2.2 HDi 150 (4HJ (P22DTE))		Diesel	FWD	2198	110	150	03.11-	*	
3.0 HDi 145 (F1CE3481N (F30DTE))		Diesel	FWD	2999	107	146	04.10-12.13	*	
3.0 HDi 155 (F1CE0481D (F30DT))		Diesel	FWD	2999	115	156	07.06-12.15	*	
3.0 HDi 160 (F1CE0481D (F30DT))		Diesel	FWD	2999	116	156	04.06-12.15	*	
3.0 HDi 175 (F1CE3481E (F30DTE))		Diesel	FWD	2999	130	177	03.11-	*	
BOXER III / MANAGER 09.05-							Bus (Minibus-M2-Segment)		
2.0 BlueHDi 110 (AHM (DW10FUE))		Diesel	FWD	1997	81	110	07.15-09.19	*	
2.0 BlueHDi 130 (AHN (DW10FUD))		Diesel	FWD	1997	96	130	07.15-09.19	*	
2.0 BlueHDi 160 (AHP (DW10FUC))		Diesel	FWD	1997	120	163	07.15-09.19	*	
2.2 HDi 100 (4HV (P22DTE))		Diesel	FWD	2198	74	101	04.06-	*	
2.2 HDi 110 (4HG (P22DTE))		Diesel	FWD	2198	81	110	03.11-12.20	*	
2.2 HDi 120 (4HU (P22DTE))		Diesel	FWD	2198	88	120	04.06-12.16	*	
2.2 HDi 130 (4HH (P22DTE))		Diesel	FWD	2198	96	131	03.11-	*	
2.2 HDi 150 (4HJ (P22DTE))		Diesel	FWD	2198	110	150	03.11-	*	
2.8 HDI		Diesel	FWD	2798	93	127	09.05-09.09	*	
3.0 HDi 145 (F1CE3481N (F30DTE))		Diesel	FWD	2999	107	146	04.10-12.13	*	
3.0 HDi 160 (F1CE0481D (F30DT))		Diesel	FWD	2999	115	156	04.06-12.15	*	
3.0 HDi 175 (F1CE3481E (F30DTE))		Diesel	FWD	2999	130	177	03.11-	*	
BOXER III / MANAGER 04.06-							Caja/Chasis (LCVs-N1 Segment)		
2.0 BlueHDi 110 (AHM (DW10FUE))		Diesel	FWD	1997	81	110	03.16-09.19	*	
2.0 BlueHDi 130 (AHN (DW10FUD))		Diesel	FWD	1997	96	130	03.16-09.19	*	
2.0 BlueHDi 160 (AHP (DW10FUC))		Diesel	FWD	1997	120	163	03.16-12.23	*	
2.2 HDi 100 (4HV (P22DTE))		Diesel	FWD	2198	74	101	04.06-	*	
2.2 HDi 110 (4HG (P22DTE))		Diesel	FWD	2198	81	110	03.11-12.20	*	
2.2 HDi 120 (4HU (P22DTE))		Diesel	FWD	2198	88	120	04.06-12.16	*	
2.2 HDi 130 (4HH (P22DTE))		Diesel	FWD	2198	96	131	04.06-	*	
2.2 HDi 130		Diesel	4WD	2198	96	130	03.11-	*	
2.2 HDi 150 (4HJ (P22DTE))		Diesel	FWD	2198	110	150	03.11-	*	
2.2 HDi 150		Diesel	4WD	2198	110	150	03.11-	*	
3.0 HDi 145 (F1CE3481N (F30DTE))		Diesel	FWD	2999	107	146	04.10-12.13	*	
3.0 HDi 155 (F1CE0481D (F30DT))		Diesel	FWD	2999	115	156	04.06-12.15	*	
3.0 HDi 160 (F1CE0481D (F30DT))		Diesel	FWD	2999	116	156	04.06-12.15	*	
3.0 HDi 175 (F1CE3481E (F30DTE))		Diesel	FWD	2999	130	177	03.11-	*	
VAUXHALL									
MOVANO Mk III © (U9, X250) 12.21-							[CAMBIADO]:Furgón (LCVs-N1 Segment)		
2.2 D		Diesel	FWD	2179	88	120	12.22-10.23	*	
2.2 D		Diesel	FWD	2179	103	140	12.21-10.23	*	
2.2 D		Diesel	FWD	2179	121	165	12.21-10.23	*	
MOVANO Mk III © (U9, X250) 12.21-							Caja/Chasis (LCVs-N1 Segment)		
2.2 D		Diesel	FWD	2179	103	140	12.21-04.25	*	
2.2 D		Diesel	FWD	2179	121	165	12.22-10.23	*	