

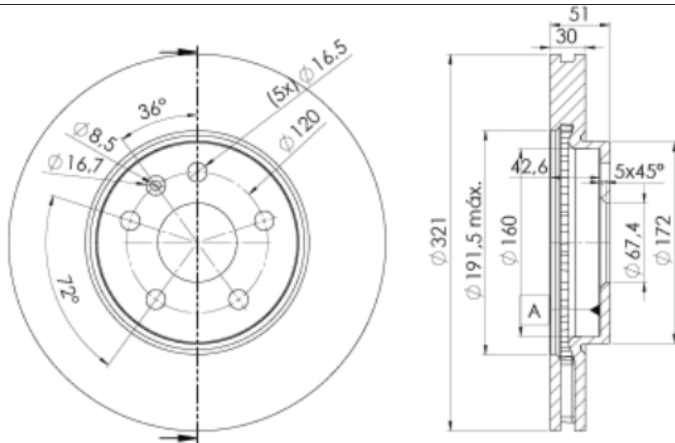
LISTA DE APLICACIONES - BUYERS GUIDE

78RBD25387



Weight: 20.088

O.E.M.	MAKE
13501308	VAUXHALL
13502214	VAUXHALL
13579148	SAAB
13579150	OPEL
5 69 064	OPEL
5 69 083	OPEL



78RBD25387

E1 90R-02C0452/0130



Ø321x30x51

Sin Filas



Trac.	CC	Kw	CV
-------	----	----	----



Front / Rear

**BUICK**

**LA CROSSE II 06.09-**

**Sedán (Executive car-E Segment)**

2.4 (LE5)	Gasolina	FWD	2384	125	170	09.09-	*
2.4 (LAF)	Gasolina	FWD	2384	136	185	09.09-	*
2.4	Gasolina	FWD	2384	136	185	09.10-12.11	*
3.0	Gasolina	FWD	2980	131	178	09.09-	*
3.0 (LF1)	Gasolina	FWD	2997	190	258	09.09-	*
3.0 AWD (LF1)	Gasolina	4WD	2997	190	258	09.09-	*
3.6 VVTi (LLT)	Gasolina	FWD	3564	209	284	01.10-12.11	*
3.6 VVTi	Gasolina	FWD	3564	209	284	09.10-12.11	*
3.6	Gasolina	FWD	3564	226	307	07.15-	*
3.6 (LFX)	Gasolina	FWD	3564	227	309	09.13-	*
3.6 (LLT)	Gasolina	FWD	3564	227	309	09.13-	*
3.6 (LGX)	Gasolina	FWD	3640	227	309	02.16-09.17	*
3.6 FLEX (LFX)	Gasol./Etanol	FWD	3564	227	309	09.11-	*
3.6 FLEX AWD (LFX)	Gasol./Etanol	4WD	3564	227	309	09.11-	*
2.4 Hybrid (LUK)	Gasol./eléc.	FWD	2384	136	185	09.12-	*
2.4 Hybrid AWD (LUK)	Gasol./eléc.	4WD	2384	136	185	09.11-	*

**REGAL V (U.S.A.) 09.10-**

**Sedán (Large family car-D Segment)**

2.0 (LHU)	Gasolina	FWD	1998	164	223	09.12-12.13	*
2.0 (LTG)	Gasolina	FWD	1998	190	258	01.14-12.17	*
2.0 (LTG)	Gasolina	FWD	1998	193	262	07.13-	*
2.0 AWD (LTG)	Gasolina	4WD	1998	193	262	07.13-	*

# LISTA DE APLICACIONES - BUYERS GUIDE

2.0 Flex (LHU)		Gasol./Etanol	FWD	1998	164	223	09.10-	*
2.0 FLEX AWD (LHU)		Gasol./Etanol	4WD	1998	164	223	09.11-	*
2.4 FLEX AWD (LEA)		Gasol./Etanol	4WD	2384	136	185	05.16-	*
<b>BUICK (SGM)</b>								
<b>GL8 (CU2) 07.05-12.16</b>					<b>MPV (Large MPV-M1 Segment)</b>			
2.4 (LE5)		Gasolina	FWD	2384	123	167	11.11-12.16	*
<b>GL8 II (CU3) 11.10-</b>					<b>MPV (Large MPV-M1 Segment)</b>			
2.4		Gasolina	FWD	2384	123	167	11.10-	*
2.4 SIDI		Gasolina	FWD	2384	137	186	01.13-	*
3.0		Gasolina	FWD	2997	190	258	11.10-	*
<b>LACROSSE II (EG2) 07.09-12.16</b>					<b>Sedán (Executive car-E Segment)</b>			
2.4		Gasolina	FWD	2384	125	170	09.09-	*
3.0		Gasolina	FWD	2994	190	258	09.09-	*
3.0 (LFW)		Gasolina	FWD	2997	195	265	02.12-03.16	*
<b>LACROSSE III 04.10-</b>					<b>Sedán (Executive car-E Segment)</b>			
2.0 Turbo		Gasolina	FWD	1998	162	220	01.11-	*
2.0 Turbo		Gasolina	FWD	1998	187	254	06.13-	*
2.4		Gasolina	FWD	2384	137	186	01.11-	*
2.4 Hybrid		Gasol./eléc.	FWD	2384	137	186	08.11-	*
<b>REGAL II (EG1) 12.08-</b>					<b>Sedán (Large family car-D Segment)</b>			
1.6		Gasolina	FWD	1598	132	180	09.09-	*
1.6 Turbo (LLU)		Gasolina	FWD	1598	135	184	02.12-12.17	*
2.0 Turbo		Gasolina	FWD	1998	162	220	06.09-	*
GS 2.0 (LDK)		Gasolina	FWD	1998	187	254	09.13-	*
<b>CHEVROLET</b>								
<b>AVEO / KALOS (T250, T255) 03.05-</b>					<b>Sedán (Supermini car-B Segment)</b>			
1.6 Aveo (LXV)		Gasolina	FWD	1598	79	106	09.08-12.09	*
<b>CAMARO V 01.11-</b>					<b>Cabrio (Pony car-F Segment)</b>			
3.6 (LLT)		Gasolina	RWD	3564	232	316	01.11-	*
3.6		Gasolina	RWD	3564	233	317	01.11-12.11	*
3.6 (LFX)		Gasolina	RWD	3564	241	328	09.11-	*
<b>CAMARO V 02.09-12.15</b>					<b>Coupé (Pony car-F Segment)</b>			
3.6		Gasolina	RWD	3564	215	292	04.11-12.11	*
3.6		Gasolina	RWD	3564	221	300	02.09-01.12	*
3.6 (LLT)		Gasolina	RWD	3564	224	305	09.09-12.10	*
3.6 (LLT)		Gasolina	RWD	3564	227	309	09.09-12.10	*
3.6 (LLT)		Gasolina	RWD	3564	232	316	01.11-12.15	*
3.6 (LFX)		Gasolina	RWD	3564	241	328	09.11-12.15	*
<b>CAMARO VI 09.15-</b>					<b>Coupé (Pony car-F Segment)</b>			
3.6 (LGX)		Gasolina	RWD	3649	250	340	09.15-	*
<b>EQUINOX 04.03-12.09</b>					<b>SUV (Compact SUV-J Segment)</b>			
3.6 (LY1)		Gasolina	FWD	3564	197	268	09.07-12.09	*
3.6 AWD (LY7)		Gasolina	4WD	3564	197	268	09.07-12.09	*
<b>EQUINOX II 09.09-</b>					<b>SUV (Compact SUV-J Segment)</b>			
2.4 (LAF)		Gasolina	FWD	2384	136	185	09.09-12.17	*

# LISTA DE APLICACIONES - BUYERS GUIDE

2.4 (LEA)		Gasolina	FWD	2384	136	185	09.09-12.17	*	
2.4 AWD (LAF)		Gasolina	4WD	2384	136	185	09.09-12.17	*	
2.4 AWD (LEA)		Gasolina	4WD	2384	136	185	09.09-12.17	*	
3.0		Gasolina	FWD	2997	197	268	09.09-12.10	*	
3.0 AWD		Gasolina	4WD	2997	197	268	09.09-12.12	*	
3.0 FLEX		Gasolina	FWD	2997	197	268	09.10-12.12	*	
3.0 FLEX		Gasolina	FWD	2997	197	268	09.10-12.12	*	
3.6 (LFX)		Gasolina	FWD	3564	224	305	07.13-12.17	*	
3.6 AWD (LFX)		Gasolina	4WD	3564	224	305	07.13-12.17	*	
2.4 FLEX (LEA)		Gasol./Etanol	FWD	2384	136	185	09.11-12.17	*	
2.4 FLEX AWD (LEA)		Gasol./Etanol	4WD	2384	136	185	09.11-12.17	*	
3.6 FLEX (LFX)		Gasol./Etanol	FWD	3564	224	305	09.12-12.17	*	
3.6 FLEX AWD (LFX)		Gasol./Etanol	4WD	3564	224	305	09.12-12.17	*	
<b>IMPALA X 01.13-</b>					<b>Sedán (Executive car-E Segment)</b>				
2.5		Gasolina	FWD	2457	145	197	07.13-12.16	*	
2.5		Gasolina	FWD	2457	146	199	03.16-	*	
3.6 (LFX)		Gasolina	FWD	3564	227	309	07.13-12.14	*	
3.6 Bi-Fuel		Gasol./Gas (CNG)	FWD	3564	172	234	04.14-	*	
2.5 Flex (LCV)		Gasol./Etanol	FWD	2457	145	197	06.15-	*	
3.6 FLEX (LFX)		Gasol./Etanol	FWD	3564	224	305	07.13-	*	
3.6 FLEX		Gasol./Etanol	FWD	3564	226	307	07.13-12.14	*	
3.6 FLEX		Gasol./Etanol	FWD	3564	227	309	07.13-	*	
2.4 Hybrid		Gasol./eléc.	FWD	2384	136	185	07.13-12.14	*	
2.4 Hybrid		Gasol./eléc.	FWD	2384	147	200	06.14-	*	
<b>MALIBU VII 01.08-</b>					<b>Sedán (Executive car-E Segment)</b>				
2.0		Gasolina	FWD	1998	193	262	09.12-	*	
<b>MALIBU VIII (V300) 01.12-</b>					<b>Sedán (Executive car-E Segment)</b>				
2.0 LPG		Gasolina	FWD	1998	101	137	02.12-	*	
2.0		Gasolina	FWD	1998	104	141	02.12-	*	
2.0 (LTG)		Gasolina	FWD	1998	193	262	01.12-12.15	*	
2.4 (LE9(145CUL4))		Gasolina	FWD	2384	123	167	01.12-	*	
2.4 (LE9(145CUL4))		Gasolina	FWD	2384	125	170	01.12-	*	
2.5 (LCV)		Gasolina	FWD	2457	142	193	09.12-12.13	*	
2.5		Gasolina	FWD	2457	146	199	09.13-12.15	*	
2.5 (LCV,LKW)		Gasolina	FWD	2457	147	200	07.13-	*	
3.0 (LFW)		Gasolina	FWD	2997	196	267	04.13-	*	
2.4 Hybrid (LUK)		Gasol./eléc.	FWD	2384	136	185	01.12-	*	
2.0 D		Diesel	FWD	1956	115	156	04.12-	*	
2.0 D (LBS)		Diesel	FWD	1956	118	160	04.12-	*	
<b>CHEVROLET (SGM)</b>									
<b>MALIBU (EG3) 02.12-</b>					<b>Sedán (Executive car-E Segment)</b>				
1.6 Turbo		Gasolina	FWD	1598	135	184	02.12-	*	
<b>GMC</b>									

# LISTA DE APLICACIONES - BUYERS GUIDE

<b>TERRAIN 08.09-</b>					<b>SUV (Compact SUV-J Segment)</b>			
2.4 (LAF)		Gasolina	FWD	2384	136	185	09.09-	*
2.4 (LEA)		Gasolina	FWD	2384	136	185	09.09-	*
2.4 AWD (LAF)		Gasolina	4WD	2384	136	185	09.09-	*
2.4 AWD (LEA)		Gasolina	4WD	2384	136	185	09.09-	*
3.0 (LF1)		Gasolina	FWD	2997	197	268	09.09-12.12	*
3.0 AWD (LF1)		Gasolina	4WD	2997	197	268	09.09-12.10	*
3.6 DI (LFX)		Gasolina	FWD	3564	224	305	09.12-	*
3.6 DI AWD (LFX)		Gasolina	4WD	3564	224	305	07.13-	*
2.4 Flexfuel (LEA)		Gasol./Etanol	FWD	2384	136	185	08.09-	*
2.4 Flexfuel AWD (LEA)		Gasol./Etanol	4WD	2384	136	185	08.09-	*
3.0 Flexfuel DI		Gasol./Etanol	FWD	2997	197	268	09.10-	*
3.0 Flexfuel DI AWD (LF1)		Gasol./Etanol	4WD	2997	197	268	09.10-	*
3.6 Flexfuel DI (LFX)		Gasol./Etanol	FWD	3564	224	305	09.12-	*
3.6 Flexfuel DI AWD (LFX)		Gasol./Etanol	4WD	3564	224	305	09.12-	*
<b>HOLDEN</b>								
<b>MALIBU (EM) 05.13-</b>					<b>Sedán (Executive car-E Segment)</b>			
2.4 i (LE9)		Gasolina	FWD	2384	123	167	05.13-12.16	*
2.0 D (A 20 DTH)		Diesel	FWD	1956	117	159	05.13-12.16	*
<b>OPEL</b>								
<b>INSIGNIA A (G09) 07.08-</b>					<b>[CAMBIADO]:Fastback (Executive car-E Segment)</b>			
1.4 (68) (A 14 NET)		Gasolina	FWD	1364	103	140	04.11-03.17	*
1.4 (68) (B 14 NET)		Gasolina	FWD	1364	103	140	04.11-03.17	*
1.6 (68) (A 16 XER)		Gasolina	FWD	1598	85	116	07.08-03.17	*
1.6 SIDI (68) (A 16 XHT)		Gasolina	FWD	1598	125	170	03.13-03.17	*
1.6 SIDI (68) (B 16 SHL)		Gasolina	FWD	1598	125	170	03.13-03.17	*
1.6 Turbo (68) (A 16 LET)		Gasolina	FWD	1598	132	180	07.08-03.17	*
1.8 (68) (A 18 XER)		Gasolina	FWD	1796	103	140	07.08-03.17	*
1.8 (68) (B 18 XER)		Gasolina	FWD	1796	103	140	07.08-03.17	*
2.0 Turbo (68) (A 20 NHT)		Gasolina	FWD	1998	162	220	07.08-03.17	*
2.0 Turbo 4x4 (68) (A 20 NHT)		Gasolina	4WD	1998	162	220	07.08-03.17	*
2.0 Turbo (68) (A 20 NHT)		Gasolina	FWD	1998	184	250	04.14-03.17	*
2.0 Turbo (68) (B 20 NHT)		Gasolina	FWD	1998	184	250	04.14-03.17	*
2.0 Turbo 4x4 (68) (A 20 NHT)		Gasolina	4WD	1998	184	250	07.11-03.17	*
2.0 Turbo 4x4 (68) (A 20 NHT)		Gasolina	4WD	1998	184	250	07.11-03.17	*
2.0 Turbo 4x4 (68) (B 20 NHT)		Gasolina	4WD	1998	184	250	07.11-03.17	*
2.8 V6 Turbo 4x4 (68) (A 28 NET)		Gasolina	4WD	2792	191	260	07.08-03.17	*
1.4 LPG (68) (A 14 NET)		Gasol./Gas (LPG)	FWD	1364	103	140	07.12-03.17	*
1.4 LPG (68) (B 14 NET)		Gasol./Gas (LPG)	FWD	1364	103	140	07.12-03.17	*
2.0 E85 Turbo (68) (A 20 NHT)		Gasol./Etanol	FWD	1998	162	220	10.10-03.17	*
1.6 CDTi (68) (B 16 DTJ)		Diesel	FWD	1598	88	120	07.15-03.17	*
1.6 CDTi (68) (B 16 DTH)		Diesel	FWD	1598	100	136	07.15-03.17	*
2.0 CDTI (68) (A 20 DTC)		Diesel	FWD	1956	81	110	07.08-03.17	*
2.0 CDTI (68) (A 20 DTL)		Diesel	FWD	1956	81	110	07.08-03.17	*
2.0 CDTI (68) (A 20 DT)		Diesel	FWD	1956	96	131	07.08-03.17	*
2.0 CDTI (68) (A 20 DTJ)		Diesel	FWD	1956	96	131	07.08-03.17	*

# LISTA DE APLICACIONES - BUYERS GUIDE

2.0 CDTI (68) (A 20 DTE)		Diesel	FWD	1956	103	140	06.13-03.17	*	
2.0 CDTI (68) (A 20 DTH)		Diesel	FWD	1956	118	160	07.08-03.17	*	
2.0 CDTI 4x4 (68) (A 20 DTH)		Diesel	4WD	1956	118	160	06.10-03.17	*	
2.0 CDTI (68) (A 20 DTH)		Diesel	FWD	1956	120	163	07.13-03.17	*	
2.0 CDTI 4x4 (68) (A 20 DTH)		Diesel	4WD	1956	120	163	07.13-03.17	*	
2.0 CDTI (68) (B 20 DTH)		Diesel	FWD	1956	125	170	11.14-03.17	*	
2.0 CDTI 4x4 (68) (B 20 DTH)		Diesel	4WD	1956	125	170	11.14-03.17	*	
2.0 Biturbo CDTI (68) (A 20 DTR)		Diesel	FWD	1956	140	190	07.08-12.11	*	
2.0 Biturbo CDTI 4x4 (68) (A 20 DTR)		Diesel	4WD	1956	140	190	05.09-12.11	*	
2.0 Biturbo CDTI (68) (A 20 DTR)		Diesel	FWD	1956	143	195	01.12-03.17	*	
2.0 Biturbo CDTI 4x4 (68) (A 20 DTR)		Diesel	4WD	1956	143	195	01.12-03.17	*	
<b>INSIGNIA A (G09) 07.08-</b>							<b>Sedán (Executive car-E Segment)</b>		
1.4 (69) (A 14 NET)		Gasolina	FWD	1364	103	140	04.11-03.17	*	
1.4 (69) (B 14 NET)		Gasolina	FWD	1364	103	140	04.11-03.17	*	
1.6 (69) (A 16 XER)		Gasolina	FWD	1598	85	116	07.08-03.17	*	
1.6 SIDI (69) (A 16 XHT)		Gasolina	FWD	1598	125	170	03.13-03.17	*	
1.6 SIDI (69) (B 16 SHL)		Gasolina	FWD	1598	125	170	03.13-03.17	*	
1.6 Turbo (69) (A 16 LET)		Gasolina	FWD	1598	132	180	07.08-03.17	*	
1.8 (69) (A 18 XER)		Gasolina	FWD	1796	103	140	07.08-03.17	*	
1.8 (69) (B 18 XER)		Gasolina	FWD	1796	103	140	07.08-03.17	*	
2.0 Turbo (69) (A 20 NHT)		Gasolina	FWD	1998	162	220	07.08-03.17	*	
2.0 Turbo 4x4 (69) (A 20 NHT)		Gasolina	4WD	1998	162	220	07.08-03.17	*	
2.0 Turbo (69) (A 20 NHT)		Gasolina	FWD	1998	184	250	04.14-03.17	*	
2.0 Turbo (69) (B 20 NHT)		Gasolina	FWD	1998	184	250	04.14-03.17	*	
2.0 Turbo 4x4 (69) (A 20 NFT)		Gasolina	4WD	1998	184	250	07.11-03.17	*	
2.0 Turbo 4x4 (69) (A 20 NHT)		Gasolina	4WD	1998	184	250	07.11-03.17	*	
2.0 Turbo 4x4 (69) (B 20 NHT)		Gasolina	4WD	1998	184	250	07.11-03.17	*	
2.8 V6 Turbo 4x4 (69) (A 28 NET)		Gasolina	4WD	2792	191	260	07.08-03.17	*	
1.4 LPG (69) (A 14 NET)		Gasol./Gas (LPG)	FWD	1364	103	140	07.12-03.17	*	
1.4 LPG (69) (B 14 NET)		Gasol./Gas (LPG)	FWD	1364	103	140	07.12-03.17	*	
2.0 Turbo E85 (69) (A 20 NFT)		Gasol./Etanol	FWD	1998	162	220	07.08-03.17	*	
1.6 CDTi (69) (B 16 DTJ)		Diesel	FWD	1598	88	120	07.15-03.17	*	
1.6 CDTi (69) (B 16 DTH)		Diesel	FWD	1598	100	136	07.15-03.17	*	
2.0 CDTI (69) (A 20 DTC)		Diesel	FWD	1956	81	110	07.08-03.17	*	
2.0 CDTI (69) (A 20 DTL)		Diesel	FWD	1956	81	110	07.08-03.17	*	
2.0 CDTI (69) (A 20 DT)		Diesel	FWD	1956	96	131	07.08-03.17	*	
2.0 CDTI (69) (A 20 DTJ)		Diesel	FWD	1956	96	131	07.08-03.17	*	
2.0 CDTI (69) (A 20 DTE)		Diesel	FWD	1956	103	140	06.13-03.17	*	
2.0 CDTI (69) (A 20 DTH)		Diesel	FWD	1956	118	160	07.08-03.17	*	
2.0 CDTI 4x4 (69) (A 20 DTH)		Diesel	4WD	1956	118	160	06.10-03.17	*	
2.0 CDTI (69) (A 20 DTH)		Diesel	FWD	1956	120	163	07.13-03.17	*	
2.0 CDTI 4x4 (69) (A 20 DTH)		Diesel	4WD	1956	120	163	07.13-03.17	*	
2.0 CDTI (69) (B 20 DTH)		Diesel	FWD	1956	125	170	11.14-03.17	*	
2.0 CDTI 4x4 (69) (B 20 DTH)		Diesel	4WD	1956	125	170	11.14-03.17	*	
2.0 Biturbo CDTI (69) (A 20 DTR)		Diesel	FWD	1956	140	190	07.08-12.11	*	
2.0 Biturbo CDTI 4x4 (69) (A 20 DTR)		Diesel	4WD	1956	140	190	07.08-12.11	*	
2.0 Biturbo CDTI (69) (A 20 DTR)		Diesel	FWD	1956	143	195	01.12-03.17	*	
2.0 Biturbo CDTI 4x4 (69) (A 20 DTR)		Diesel	4WD	1956	143	195	01.12-03.17	*	

# LISTA DE APLICACIONES - BUYERS GUIDE

<b>INSIGNIA A Country Tourer (G09) 07.08-03.17</b>					<b>[CAMBIADO]:Break (Executive car-E Segment)</b>			
1.6 SIDI (47) (A 16 XHT)		Gasolina	FWD	1598	125	170	07.14-03.17	*
1.6 SIDI (47) (B 16 SHL)		Gasolina	FWD	1598	125	170	07.14-03.17	*
2.0 Turbo 4x4 (47) (A 20 NFT)		Gasolina	4WD	1998	184	250	09.13-03.17	*
2.0 Turbo 4x4 (47) (A 20 NHT)		Gasolina	4WD	1998	184	250	09.13-03.17	*
2.0 Turbo 4x4 (47) (B 20 NHT)		Gasolina	4WD	1998	184	250	09.13-03.17	*
1.6 CDTi (47) (B 16 DTJ)		Diesel	FWD	1598	88	120	07.15-03.17	*
1.6 CDTi (47) (B 16 DTH)		Diesel	FWD	1598	100	136	07.15-03.17	*
2.0 CDTi (47) (A 20 DTH)		Diesel	FWD	1956	120	163	07.14-03.17	*
2.0 CDTi 4x4 (47) (A 20 DTH)		Diesel	4WD	1956	120	163	09.13-03.17	*
2.0 CDTi (47) (B 20 DTH)		Diesel	FWD	1956	125	170	11.14-03.17	*
2.0 CDTi 4x4 (47) (B 20 DTH)		Diesel	4WD	1956	125	170	11.14-03.17	*
2.0 CDTi 4x4 (47) (A 20 DTR)		Diesel	4WD	1956	143	194	09.13-03.17	*
<b>INSIGNIA A Sports Tourer (G09) 07.08-</b>					<b>[CAMBIADO]:Break (Executive car-E Segment)</b>			
1.4 (35) (A 14 NET)		Gasolina	FWD	1364	103	140	04.11-03.17	*
1.4 (35) (B 14 NET)		Gasolina	FWD	1364	103	140	04.11-03.17	*
1.6 (35) (A 16 XER)		Gasolina	FWD	1598	85	116	07.08-06.12	*
1.6 SIDI (35) (A 16 XHT)		Gasolina	FWD	1598	125	170	06.13-03.17	*
1.6 SIDI (35) (B 16 SHL)		Gasolina	FWD	1598	125	170	06.13-03.17	*
1.6 Turbo (35) (A 16 LET)		Gasolina	FWD	1598	132	180	01.09-06.13	*
1.8 (35) (A 18 XER)		Gasolina	FWD	1796	103	140	07.08-03.17	*
1.8 (35) (B 18 XER)		Gasolina	FWD	1796	103	140	07.08-03.17	*
2.0 Turbo (35) (A 20 NFT)		Gasolina	FWD	1998	162	220	07.08-06.13	*
2.0 Turbo (35) (A 20 NHT)		Gasolina	FWD	1998	162	220	07.08-06.13	*
2.0 Turbo 4x4 (35) (A 20 NHT)		Gasolina	4WD	1998	162	220	07.08-06.11	*
2.0 Turbo (35) (A 20 NHT)		Gasolina	FWD	1998	184	250	04.14-03.17	*
2.0 Turbo (35) (B 20 NHT)		Gasolina	FWD	1998	184	250	04.14-03.17	*
2.0 Turbo 4x4 (35) (A 20 NFT)		Gasolina	4WD	1998	184	250	09.11-03.17	*
2.0 Turbo 4x4 (35) (A 20 NHT)		Gasolina	4WD	1998	184	250	09.11-03.17	*
2.0 Turbo 4x4 (35) (B 20 NHT)		Gasolina	4WD	1998	184	250	09.11-03.17	*
2.8 V6 Turbo 4x4 (35) (A 28 NET)		Gasolina	4WD	2792	191	260	10.08-06.13	*
1.4 LPG (35) (A 14 NET)		Gasol./Gas (LPG)	FWD	1364	103	140	09.12-03.17	*
1.4 LPG (35) (B 14 NET)		Gasol./Gas (LPG)	FWD	1364	103	140	09.12-03.17	*
2.0 E85 Turbo (35) (A 20 NFT)		Gasol./Etanol	FWD	1998	162	220	09.10-11.11	*
1.6 CDTi (35) (B 16 DTJ)		Diesel	FWD	1598	88	120	07.15-01.17	*
1.6 CDTi (35) (B 16 DTH)		Diesel	FWD	1598	100	136	07.15-12.16	*
2.0 CDTI (35) (A 20 DTC)		Diesel	FWD	1956	81	110	07.08-06.13	*
2.0 CDTI (35) (A 20 DTL)		Diesel	FWD	1956	81	110	07.08-06.13	*
2.0 CDTI (35) (A 20 DT)		Diesel	FWD	1956	96	131	07.08-06.15	*
2.0 CDTI (35) (A 20 DTJ)		Diesel	FWD	1956	96	131	07.08-06.15	*
2.0 CDTI (35) (A 20 DTE)		Diesel	FWD	1956	103	140	07.13-06.15	*
2.0 CDTI (35) (A 20 DTH)		Diesel	FWD	1956	118	160	07.08-06.15	*
2.0 CDTI 4x4 (35) (A 20 DTH)		Diesel	4WD	1956	118	160	06.10-06.15	*
2.0 CDTI (35) (A 20 DTH)		Diesel	FWD	1956	120	163	07.13-06.15	*
2.0 CDTI 4x4 (35) (A 20 DTH)		Diesel	4WD	1956	120	163	07.13-06.15	*
2.0 CDTI (35) (B 20 DTH)		Diesel	FWD	1956	125	170	11.14-12.16	*
2.0 CDTI 4x4 (35) (B 20 DTH)		Diesel	4WD	1956	125	170	11.14-12.16	*
2.0 Biturbo CDTI (35) (A 20 DTR)		Diesel	FWD	1956	140	190	07.08-03.17	*
2.0 Biturbo CDTI 4x4 (35) (A 20 DTR)		Diesel	4WD	1956	140	190	07.08-03.17	*

# LISTA DE APLICACIONES - BUYERS GUIDE

2.0 Biturbo CDTI (35) (A 20 DTR)	Diesel	FWD	1956	143	195	01.12-06.15	*
2.0 Biturbo CDTI 4x4 (35) (A 20 DTR)	Diesel	4WD	1956	143	195	01.12-06.15	*
<b>ROEWE (SAIC)</b>							
<b>950 (950) 07.12-</b>				<b>Sedán (Executive car-E Segment)</b>			
1.8 28T (18L4E)	Gasolina	FWD	1798	136	185	07.15-	*
2.0	Gasolina	FWD	1998	108	147	07.12-	*
2.4 TGI	Gasolina	FWD	2384	137	186	07.12-	*
3.0 V6 TGI	Gasolina	FWD	2994	190	258	07.12-	*
2.0 30T (20L4E)	Diesel	FWD	1995	162	220	07.15-	*
<b>E950 04.16-</b>				<b>Sedán (Executive car-E Segment)</b>			
hybrid (14E4E)	Gasol./el éc.	FWD	1399	110	150	04.16-12.17	*
<b>SAAB</b>							
<b>9-5 II (YS3G) 01.10-01.12</b>				<b>Sedán (Executive car-E Segment)</b>			
1.6 Turbo (A 16 LET)	Gasolina	FWD	1598	132	180	05.10-01.12	*
2.0 Turbo (A 20 NHT)	Gasolina	FWD	1998	162	220	05.10-01.12	*
2.0 Turbo XWD (A 20 NHT)	Gasolina	4WD	1998	162	220	05.10-01.12	*
2.0 (A 20 NFT)	Gasolina	FWD	1998	164	223	09.10-01.12	*
2.8 Turbo V6 XWD (A 28 NER)	Gasolina	4WD	2792	221	301	05.10-01.12	*
2.8 AWD (A28 NER)	Gasolina	4WD	2792	224	305	05.10-01.12	*
2.0 t Biopower (A 20 NFT)	Gasol./Etanol	FWD	1998	162	220	05.10-01.12	*
2.0 t BioPower XWD (A 20 NHT)	Gasol./Etanol	4WD	1998	162	220	05.10-01.12	*
2.0 TiD (A 20 DTH)	Diesel	FWD	1956	118	160	05.10-01.12	*
2.0 TTiD (A 20 DTR)	Diesel	FWD	1956	140	190	05.10-01.12	*
2.0 TTiD XWD (A 20 DTR)	Diesel	4WD	1956	140	190	05.10-01.12	*
<b>VAUXHALL</b>							
<b>INSIGNIA Mk I (A) (G09) 07.08-05.17</b>				<b>[CAMBIADO]:Fastback (Executive car-E Segment)</b>			
1.4 (68) (A 14 NET)	Gasolina	FWD	1364	103	140	04.11-05.17	*
1.4 (68) (B 14 NET)	Gasolina	FWD	1364	103	140	04.11-05.17	*
1.6	Gasolina	FWD	1598	85	116	07.08-05.17	*
1.6 (A 16 XER)	Gasolina	FWD	1598	85	116	07.08-07.12	*
1.6 Turbo (68) (A 16 XHT)	Gasolina	FWD	1598	125	170	07.13-05.17	*
1.6 Turbo (68) (A 16 LET)	Gasolina	FWD	1598	132	180	01.09-05.17	*
1.8 (68) (A 18 XER)	Gasolina	FWD	1796	103	140	07.08-05.17	*
1.8 (68) (B 18 XER)	Gasolina	FWD	1796	103	140	07.08-05.17	*
2.0 Turbo (68) (A 20 NFT)	Gasolina	FWD	1998	162	220	07.08-05.17	*
2.0 Turbo (68) (A 20 NHT)	Gasolina	FWD	1998	162	220	07.08-05.17	*
2.0 Turbo 4x4 (68) (A 20 NHT)	Gasolina	4WD	1998	162	220	07.08-05.17	*
2.0 Turbo (68) (A 20 NHT)	Gasolina	FWD	1998	184	250	07.11-05.17	*
2.0 Turbo (68) (B 20 NHT)	Gasolina	FWD	1998	184	250	07.11-05.17	*
2.0 Turbo 4x4 (68)	Gasolina	4WD	1998	184	250	09.11-05.17	*
2.0 Turbo 4x4 (68)	Gasolina	4WD	1998	184	250	07.11-05.17	*
2.8 V6 Turbo 4x4 (68) (A 28 NET)	Gasolina	4WD	2792	191	260	07.08-05.17	*
1.4 LPG (68) (A 14 NET)	Gasol./Gas (LPG)	FWD	1364	103	140	07.12-05.17	*
1.6 CDTi (68) (B 16 DTJ)	Diesel	FWD	1598	88	120	07.15-05.17	*
1.6 CDTi (68) (B 16 DTH)	Diesel	FWD	1598	100	136	07.15-05.17	*
2.0 CDTI (68) (A 20 DTC)	Diesel	FWD	1956	81	110	07.08-05.17	*
2.0 CDTI (68) (A 20 DTL)	Diesel	FWD	1956	81	110	07.08-05.17	*
2.0 CDTI (68) (A 20 DT)	Diesel	FWD	1956	96	130	07.08-12.14	*

# LISTA DE APLICACIONES - BUYERS GUIDE

2.0 CDTI (68) (A 20 DTJ)		Diesel	FWD	1956	96	130	07.08-12.14	*	
2.0 CDTI (68) (A 20 DTE)		Diesel	FWD	1956	103	140	07.13-05.17	*	
2.0 CDTI (68) (A 20 DTH)		Diesel	FWD	1956	118	160	07.08-05.17	*	
2.0 CDTI 4x4 (68) (A 20 DTH)		Diesel	4WD	1956	118	160	07.08-05.17	*	
2.0 CDTI (68) (A 20 DTH)		Diesel	FWD	1956	120	163	07.13-05.17	*	
2.0 CDTI (68) (B 20 DTH)		Diesel	FWD	1956	125	170	11.14-05.17	*	
2.0 CDTI 4x4 (68) (B 20 DTH)		Diesel	4WD	1956	125	170	11.14-05.17	*	
2.0 CDTI (68) (A 20 DTR)		Diesel	FWD	1956	140	190	10.08-05.17	*	
2.0 CDTI 4x4 (68) (A 20 DTR)		Diesel	4WD	1956	140	190	05.09-05.17	*	
2.0 Biturbo CDTI (68) (A 20 DTR)		Diesel	FWD	1956	143	195	03.12-05.17	*	
2.0 Biturbo CDTI 4x4 (68) (A 20 DTR)		Diesel	4WD	1956	143	195	03.12-05.17	*	
<b>INSIGNIA Mk I (A) (G09) 07.08-05.17</b>					<b>Sedán (Executive car-E Segment)</b>				
1.4 (69) (A 14 NET)		Gasolina	FWD	1364	103	140	04.11-05.17	*	
1.6		Gasolina	FWD	1598	85	116	07.08-05.17	*	
1.6 (A 16 XER)		Gasolina	FWD	1598	85	116	07.08-07.12	*	
1.6 SIDI		Gasolina	FWD	1598	125	170	03.13-05.17	*	
1.6 Turbo (69) (A 16 LET)		Gasolina	FWD	1598	132	180	01.09-05.17	*	
1.8 (69) (A 18 XER)		Gasolina	FWD	1796	103	140	07.08-05.17	*	
2.0 Turbo (69) (A 20 NFT)		Gasolina	FWD	1998	162	220	07.08-05.17	*	
2.0 Turbo (69) (A 20 NHT)		Gasolina	FWD	1998	162	220	07.08-05.17	*	
2.0 Turbo 4x4 (69) (A 20 NHT)		Gasolina	4WD	1998	162	220	07.08-05.17	*	
2.0 Turbo (69) (A 20 NHT)		Gasolina	FWD	1998	184	250	09.11-05.17	*	
2.0 Turbo (69) (B 20 NHT)		Gasolina	FWD	1998	184	250	09.11-05.17	*	
2.0 Turbo 4x4 (69) (A 20 NHT)		Gasolina	4WD	1998	184	250	09.11-05.17	*	
2.0 Turbo 4x4 (69) (B 20 NHT)		Gasolina	4WD	1998	184	250	09.11-05.17	*	
2.8 V6 Turbo 4x4 (69) (A 28 NET)		Gasolina	4WD	2792	191	260	07.08-05.17	*	
1.4 LPG (69) (A 14 NET)		Gasol./Gas (LPG)	FWD	1364	103	140	07.12-05.17	*	
1.6 CDTi (69) (B 16 DTJ)		Diesel	FWD	1598	88	120	07.15-05.17	*	
1.6 CDTi (69) (B 16 DTH)		Diesel	FWD	1598	100	136	07.15-05.17	*	
2.0 CDTI (69)		Diesel	FWD	1956	81	110	07.08-05.17	*	
2.0 CDTI (69) (A 20 DT)		Diesel	FWD	1956	96	130	07.08-12.14	*	
2.0 CDTI (69) (A 20 DTJ)		Diesel	FWD	1956	96	130	07.08-12.14	*	
2.0 CDTI (69) (A 20 DTE)		Diesel	FWD	1956	103	140	07.13-05.17	*	
2.0 CDTI (69) (A 20 DTH)		Diesel	FWD	1956	118	160	07.08-05.17	*	
2.0 CDTI 4x4 (69) (A 20 DTH)		Diesel	4WD	1956	118	160	07.08-05.17	*	
2.0 CDTI (69) (A 20 DTH)		Diesel	FWD	1956	120	163	07.13-05.17	*	
2.0 CDTI (69) (B 20 DTH)		Diesel	FWD	1956	125	170	11.14-05.17	*	
2.0 CDTI 4x4 (69) (B 20 DTH)		Diesel	4WD	1956	125	170	11.14-05.17	*	
2.0 CDTI (69) (A 20 DTR)		Diesel	FWD	1956	140	190	11.08-05.17	*	
2.0 CDTI 4x4 (69) (A 20 DTR)		Diesel	4WD	1956	140	190	05.09-05.17	*	
2.0 Biturbo CDTI (69) (A 20 DTR)		Diesel	FWD	1956	143	195	03.12-05.17	*	
2.0 Biturbo CDTI 4x4 (69) (A 20 DTR)		Diesel	4WD	1956	143	195	03.12-05.17	*	
<b>INSIGNIA Mk I (A) Country Tourer (G09) 07.08-05.17</b>					<b>[CAMBIADO]:Break (Executive car-E Segment)</b>				
1.6 Turbo (47) (A 16 XHT)		Gasolina	FWD	1598	125	170	07.13-05.17	*	
1.6 Turbo (47) (B 16 SHL)		Gasolina	FWD	1598	125	170	07.13-05.17	*	
1.6 CDTi (47) (B 16 DTH)		Diesel	FWD	1598	100	136	07.15-05.17	*	
2.0 CDTi (47) (A 20 DTH)		Diesel	FWD	1956	120	163	07.13-05.17	*	
2.0 CDTi (47) (A 20 DTH)		Diesel	4WD	1956	120	163	07.13-05.17	*	
2.0 CDTi (47) (B 20 DTH)		Diesel	FWD	1956	125	170	11.14-05.17	*	
2.0 CDTi 4x4 (47) (B 20 DTH)		Diesel	4WD	1956	125	170	11.14-05.17	*	

# LISTA DE APLICACIONES - BUYERS GUIDE

2.0 Biturbo CDTI 4x4 (47) (A 20 DTR)	Diesel	4WD	1956	143	195	09.13-05.17	*
<b>INSIGNIA Mk I (A) Sports Tourer (G09) 07.08-05.17</b>				<b>[CAMBIADO]:Break (Executive car-E Segment)</b>			
1.4 (35) (A 14 NET)	Gasolina	FWD	1364	103	140	04.11-05.17	*
1.4 (35) (B 14 NET)	Gasolina	FWD	1364	103	140	04.11-05.17	*
1.6	Gasolina	FWD	1598	85	116	07.08-05.17	*
1.6 (A 16 XER)	Gasolina	FWD	1598	85	116	07.08-07.12	*
1.6 Turbo (35) (A 16 XHT)	Gasolina	FWD	1598	125	170	07.13-05.17	*
1.6 Turbo (35) (A 16 LET)	Gasolina	FWD	1598	132	180	01.09-05.17	*
1.8 (35) (A 18 XER)	Gasolina	FWD	1796	103	140	07.08-05.17	*
2.0 Turbo (35) (A 20 NFT)	Gasolina	FWD	1998	162	220	07.08-05.17	*
2.0 Turbo (35) (A 20 NHT)	Gasolina	FWD	1998	162	220	07.08-05.17	*
2.0 Turbo 4x4 (35) (A 20 NHT)	Gasolina	4WD	1998	162	220	07.08-05.17	*
2.0 Turbo (35) (A 20 NHT)	Gasolina	FWD	1998	184	250	07.11-05.17	*
2.0 Turbo (35) (B 20 NHT)	Gasolina	FWD	1998	184	250	07.11-05.17	*
2.0 Turbo 4x4 (35)	Gasolina	4WD	1998	184	250	09.11-05.17	*
2.0 Turbo 4x4 (35)	Gasolina	4WD	1998	184	250	07.11-05.17	*
2.8 V6 Turbo (35) (A 28 NET)	Gasolina	4WD	2792	191	260	08.08-05.17	*
1.4 LPG (35) (A 14 NET)	Gasol./Gas (LPG)	FWD	1364	103	140	07.12-05.17	*
1.6 CDTi (35) (B 16 DTH)	Diesel	FWD	1598	100	136	07.15-05.17	*
2.0 CDTI (35) (A 20 DTC)	Diesel	FWD	1956	81	110	07.08-05.17	*
2.0 CDTI (35) (A 20 DTE)	Diesel	FWD	1956	88	120	03.12-03.16	*
2.0 CDTI (35) (A 20 DT)	Diesel	FWD	1956	96	130	07.08-12.14	*
2.0 CDTI (35) (A 20 DTJ)	Diesel	FWD	1956	96	130	07.08-12.14	*
2.0 CDTI (35) (A 20 DTE)	Diesel	FWD	1956	103	140	07.13-05.17	*
2.0 CDTI (35) (A 20 DTH)	Diesel	FWD	1956	118	160	07.08-05.17	*
2.0 CDTI 4x4 (35) (A 20 DTH)	Diesel	4WD	1956	118	160	07.08-05.17	*
2.0 CDTI (35) (A 20 DTH)	Diesel	FWD	1956	120	163	07.13-05.17	*
2.0 CDTI (35) (B 20 DTH)	Diesel	FWD	1956	125	170	11.14-05.17	*
2.0 CDTI 4x4 (35) (B 20 DTH)	Diesel	4WD	1956	125	170	11.14-05.17	*
2.0 CDTI (35) (A 20 DTR)	Diesel	FWD	1956	140	190	11.08-05.17	*
2.0 CDTI 4x4 (35) (A 20 DTR)	Diesel	4WD	1956	140	190	05.09-05.17	*
2.0 Biturbo CDTI (35) (A 20 DTR)	Diesel	FWD	1956	143	195	03.12-05.17	*
2.0 Biturbo CDTI 4x4 (35) (A 20 DTR)	Diesel	4WD	1956	143	195	03.12-05.17	*