

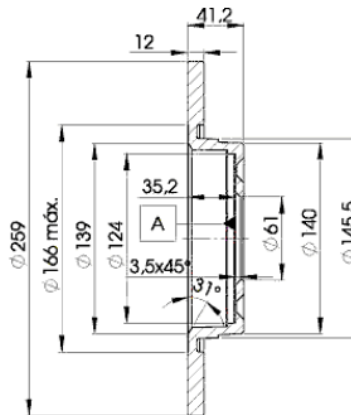
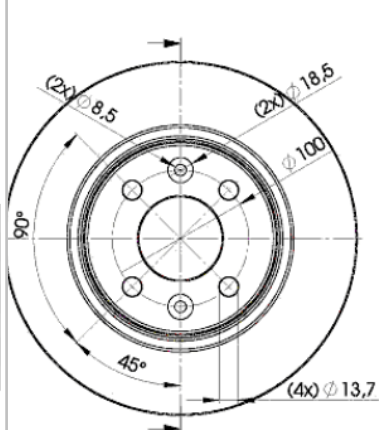
LISTA DE APLICACIONES - BUYERS GUIDE

78RBD24707



Weight: 8.516

O.E.M.	MAKE
60 01 547 683	DACIA
60 01 547 684	DACIA
60 01 549 211	DACIA
77 01 208 252	RENAULT
7700674765	RENAULT
82 00 123 117	RENAULT



78RBD24707

E1 90R-02C0415/0005



Ø259x12x41

Sin Filas



Trac.	CC	Kw	CV
-------	----	----	----



Front / Rear

DACIA

LOGAN (LS_) 08.04-

Sedán (Compact car-C Segment)

1.4 (LS0A, LS0C, LS0E, LS0G) (K7J 710)	Gasolina	FWD	1390	55	75	09.04-	*
1.6 (LS0B, LS0D, LS0F, LS0H) (K7M 710)	Gasolina	FWD	1598	64	87	09.04-	*
1.6 16V (LS09, LS0L, LS0M, LS0P, LS0V, LS18, LS1S, LS1V,... (K4M 690)	Gasolina	FWD	1598	77	105	02.06-	*
1.6 16V (LS09, LS0L, LS0M, LS0P, LS0V, LS18, LS1S, LS1V,... (K4M 694)	Gasolina	FWD	1598	77	105	02.06-	*
1.6 16V (LS09, LS0L, LS0M, LS0P, LS0V, LS18, LS1S, LS1V,... (K4M 696)	Gasolina	FWD	1598	77	105	02.06-	*
1.6 16V (LS09, LS0L, LS0M, LS0P, LS0V, LS18, LS1S, LS1V,... (K4M 697)	Gasolina	FWD	1598	77	105	02.06-	*
1.6 16V (LS09, LS0L, LS0M, LS0P, LS0V, LS18, LS1S, LS1V,... (K4M 698)	Gasolina	FWD	1598	77	105	02.06-	*
1.6 LPG (K7M 718)	Gasol./G as (LPG)	FWD	1598	64	87	08.04-03.11	*
1.0 Hi-Flex (LS0R, LS1G) (D4D 760)	Gasol./Et anol	FWD	999	56	76	01.11-10.12	*
1.6 16V Flexifuel (K4M 696)	Gasol./Et anol	FWD	1598	77	105	07.10-	*
1.5 dCi (LS0J, LS0Y) (K9K 790)	Diesel	FWD	1461	48	65	09.05-	*
1.5 dCi (LS0K) (K9K 792)	Diesel	FWD	1461	50	68	01.06-12.12	*
1.5 dCi (LS0W) (K9K 796)	Diesel	FWD	1461	63	86	09.07-12.11	*

LOGAN II (L52) 10.12-

Sedán (Compact car-C Segment)

1.2	Gasolina	FWD	1149	54	73	05.15-	*
1.2 (D4F 732)	Gasolina	FWD	1149	55	75	10.12-	*
1.6	Gasolina	FWD	1598	59	80	09.16-	*
1.6 (K7M 812)	Gasolina	FWD	1598	63	86	06.13-08.16	*

LISTA DE APLICACIONES - BUYERS GUIDE

LOGAN II MCV (K52) 02.13-					[CAMBIADO]:Break (Compact car-C Segment)			
1.6 (K7M 812)	Gasolina	FWD	1598	62	84	06.13-	*	
LOGAN EXPRESS (FS_) 10.07-					[CAMBIADO]:Furgón/Break (Compact car-C Segment)			
1.4 (K7J 710)	Gasolina	FWD	1390	55	75	03.09-	*	
1.6 (K7M 710)	Gasolina	FWD	1598	64	87	03.09-	*	
LOGAN MCV (KS_) 02.07-					[CAMBIADO]:Break (Compact car-C Segment)			
1.4 (K7J 710)	Gasolina	FWD	1390	55	75	02.07-	*	
1.6 (KS0B, KS0D, KS0F) (K7M 710)	Gasolina	FWD	1598	64	87	02.07-06.13	*	
1.6 16V (KS0L, KS0M, KS0P, KS1S) (K4M 690)	Gasolina	FWD	1598	77	105	02.07-	*	
1.6 16V (KS0L, KS0M, KS0P, KS1S) (K4M 696)	Gasolina	FWD	1598	77	105	02.07-	*	
1.6 16V (KS0L, KS0M, KS0P, KS1S) (K4M 697)	Gasolina	FWD	1598	77	105	02.07-	*	
1.6 BiFuel (K7M 710)	Gasol./Gas (LPG)	FWD	1598	64	87	11.08-	*	
1.5 dCi (KS0K) (K9K 792)	Diesel	FWD	1461	50	68	02.07-	*	
1.5 dCi (KS0W) (K9K 796)	Diesel	FWD	1461	63	86	09.07-12.12	*	
SANDERO (BS_) 06.08-					[CAMBIADO]:Fastback (Compact car-C Segment)			
1.4 (BS0C, BS0A, BS0G, BS1F, BS0E) (K7J 710)	Gasolina	FWD	1390	55	75	06.08-12.12	*	
1.6 (BS0D, BS0B, BS0F, BS0H) (K7M 710)	Gasolina	FWD	1598	64	87	06.08-12.12	*	
1.6 16V (K4M 690)	Gasolina	FWD	1598	77	105	07.11-12.12	*	
1.6 16V (K4M 694)	Gasolina	FWD	1598	77	105	07.11-12.12	*	
1.4 MPI LPG (K7J 714)	Gasol./Gas (LPG)	FWD	1390	53	72	01.09-12.12	*	
1.6 LPG (BS03) (K7M 818)	Gasol./Gas (LPG)	FWD	1598	60	82	01.11-12.12	*	
1.6 LPG (K7M 818)	Gasol./Gas (LPG)	FWD	1598	62	84	05.10-10.12	*	
1.6 LPG (K7M 718)	Gasol./Gas (LPG)	FWD	1598	64	87	06.08-12.12	*	
1.0 Hi-Flex (D4D 760)	Gasol./Etanol	FWD	999	56	76	01.11-12.12	*	
1.6 Hi-Flex (BS1H) (K7M 732)	Gasol./Etanol	FWD	1598	64	87	06.08-12.12	*	
1.6 16V Bifuel (K4M 690)	Gasol./Etanol	FWD	1598	77	105	01.11-12.12	*	
1.6 16V Bifuel (K4M 694)	Gasol./Etanol	FWD	1598	77	105	01.11-12.12	*	
1.6 16V Bifuel (K4M 696)	Gasol./Etanol	FWD	1598	77	105	01.11-12.12	*	
1.5 dCi (K9K 790)	Diesel	FWD	1461	48	65	11.08-12.12	*	
1.5 dCi (K9K 792)	Diesel	FWD	1461	50	68	11.08-12.12	*	
1.5 dCi (K9K 796)	Diesel	FWD	1461	63	86	11.08-12.12	*	
SANDERO II (B8_) 10.12-					[CAMBIADO]:Fastback (Compact car-C Segment)			
1.2 (D4F 732)	Gasolina	FWD	1149	54	73	05.15-	*	
1.2 (D4F 732)	Gasolina	FWD	1149	55	75	10.12-	*	
1.2 LPG (D4F 734)	Gasol./Gas (LPG)	FWD	1149	55	75	10.12-	*	
LADA								
LARGUS (KS0_, RS0_, KSA_) 03.12-					[CAMBIADO]:Furgón/Break (Compact car-C Segment)			
1.6 (KS035, RS035) (11189)	Gasolina	FWD	1597	64	87	06.16-	*	
1.6 (KS0Y5, RS0Y5) (K7M)	Gasolina	FWD	1598	62	84	03.12-	*	
1.6 (KS0Y5, RS0Y5) (K4M)	Gasolina	FWD	1598	77	105	03.12-	*	
RENAULT								

LISTA DE APLICACIONES - BUYERS GUIDE

LOGAN II /STEPWAY II / TONDAR (L8_) 09.12-					Sedán (Compact car-C Segment)			
1.2 (D4F 732)		Gasolina	FWD	1149	55	75	11.13-	*
1.6 (K7M 812)		Gasolina	FWD	1598	59	80	11.13-	*
1.6 (K7M 812)		Gasolina	FWD	1598	60	82	04.14-	*
1.6 (H4M 438)		Gasolina	FWD	1598	83	113	09.16-	*
LOGAN / TONDAR 90 (KS_) 04.07-					[CAMBIADO]:Break (Compact car-C Segment)			
1.4 (K7J 710)		Gasolina	FWD	1390	55	75	10.07-	*
1.6 (K7M 710)		Gasolina	FWD	1598	64	87	04.07-	*
LOGAN / TONDAR 90 (LS_) 09.04-					Sedán (Compact car-C Segment)			
1.4 LPG (K7J 714)		Gasol./Gas (LPG)	FWD	1390	53	72	02.08-10.13	*
SANDERO II /STEPWAY II (B8_) 11.13-					[CAMBIADO]:Fastback (Compact car-C Segment)			
1.0 SCe 75 (B8JD)		Gasolina	FWD	999	54	73	12.19-	*
1.2 16V (D4F 732)		Gasolina	FWD	1149	54	73	12.13-	*
1.2 16V (D4F 734)		Gasolina	FWD	1149	54	73	12.13-	*
1.2 16V (D4F 732)		Gasolina	FWD	1149	55	75	04.15-	*
1.6 (K7M 812)		Gasolina	FWD	1598	59	80	11.13-	*
1.6		Gasolina	FWD	1598	60	82	11.13-	*
1.6		Gasolina	FWD	1598	61	83	11.13-	*
1.6		Gasolina	FWD	1598	63	86	04.16-	*
1.6		Gasolina	FWD	1598	66	90	05.15-	*
1.6 16V		Gasolina	FWD	1598	75	102	04.14-	*
1.2 16V LPG (D4F 734)		Gasol./Gas (LPG)	FWD	1149	53	72	12.13-	*
1.6 Flex (B8A6)		Gasol./Etanol	FWD	1598	78	106	03.14-07.18	*
SANDERO/STEPWAY (BS_) 11.07-					[CAMBIADO]:Fastback (Compact car-C Segment)			
1.4 (K7J 710)		Gasolina	FWD	1390	55	75	02.09-07.13	*
1.6 (K7M 718)		Gasolina	FWD	1598	62	84	11.10-07.13	*
1.6 (BS0H, BS0F) (K7M 710)		Gasolina	FWD	1598	64	87	02.09-10.12	*
1.6		Gasolina	FWD	1598	66	90	05.09-	*
1.6 (K7M 710)		Gasolina	FWD	1598	75	102	12.07-07.13	*
1.6 (K4M 697)		Gasolina	FWD	1598	76	103	12.07-07.13	*
1.6 (K4M 690)		Gasolina	FWD	1598	77	105	05.12-12.12	*
1.6 (BS0V, BS1V)		Gasolina	FWD	1598	82	112	09.09-12.15	*
1.4 LPG (K7J 714)		Gasol./Gas (LPG)	FWD	1390	53	72	02.09-12.12	*
1.6 Flex		Gasol./Etanol	FWD	1598	77	105	12.12-	*
1.6 Flex (BS0V, BS1V, BS09)		Gasol./Etanol	FWD	1598	82	112	08.08-06.14	*
THALIA III / SYMBOL (L8_) 12.13-					Sedán (Supermini car-B Segment)			
1.5 dCi (K9K 612)		Diesel	FWD	1461	55	75	07.14-	*
1.5 dCi (K9K 612,K9K 626, K9K 830,K9K 838)		Diesel	FWD	1461	60	82	12.13-	*
1.5 dCi (L8AJ) (K9K 612)		Diesel	FWD	1461	66	90	12.13-	*
TWINGO (C06_) 03.93-10.12					[CAMBIADO]:Fastback (City car-A Segment)			
1.2 LPG		Gasol./Gas (LPG)	FWD	1149	43	58	09.00-06.07	*
TWINGO III (BCM_, BCA_) 09.14-					[CAMBIADO]:Fastback (City car-A Segment)			
1.0 SCe 65 (BCMJ) (B4D 403)		Gasolina	RWD	999	48	65	03.19-07.24	*
1.0 SCe 70 (BCMB) (H4D 400)		Gasolina	RWD	999	51	69	09.15-04.19	*

LISTA DE APLICACIONES - BUYERS GUIDE

1.0 SCe 70 (H4D 400)	Gasolina	RWD	999	52	71	09.14-04.19	*
1.0 SCe 75 (B4D 403)	Gasolina	RWD	999	54	73	03.19-01.21	*

SMART

FORTWO III (453) 09.15-							Cabrio (City car-A Segment)	
0.9 (453.444, 453.453) (M 281.910)	Gasolina	RWD	898	66	90	09.15-	*	
0.9 Brabus (453.462) (M 281.910)	Gasolina	RWD	898	80	109	07.16-	*	
1.0 (453.442, 453.443) (M 281.920)	Gasolina	RWD	999	52	71	09.15-	*	
electric drive / EQ (453.491)	Eléctrico	RWD		41	56	05.17-	*	
electric drive (453.491)	Eléctrico	RWD		60	82	05.17-	*	
FORTWO III (453) 07.14-							Coupé (City car-A Segment)	
0.9 (453.344, 453.353) (M 281.910)	Gasolina	RWD	898	66	90	09.14-	*	
0.9 Brabus (453.362) (M 281.910)	Gasolina	RWD	898	80	109	07.16-	*	
1.0 (453.341) (M 281.920)	Gasolina	RWD	999	45	60	11.14-	*	
1.0 (453.342, 453.343) (M 281.920)	Gasolina	RWD	999	52	71	07.14-	*	
electric drive / EQ (453.491)	Eléctrico	RWD		41	56	05.17-	*	
electric drive (453.391)	Eléctrico	RWD		60	82	05.17-	*	