

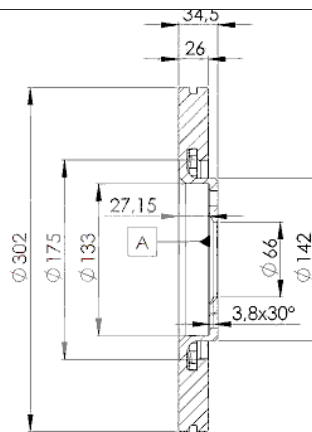
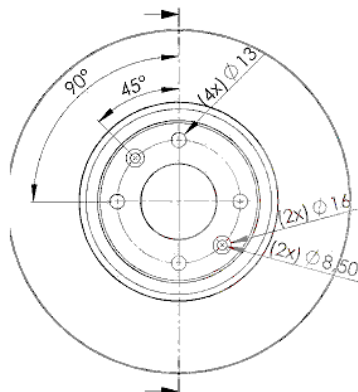
LISTA DE APLICACIONES - BUYERS GUIDE

78RBD24698



Weight: 17.180

O.E.M.	MAKE
4246.C0	CITROËN
4246.P5	PEUGEOT
4249.33	CITROËN
4249.85	PEUGEOT
96 876 021 80	PEUGEOT



78RBD24698

E1 90R-02C0433/0076



Ø302x26x34.5

Sin Filas



Trac.	CC	Kw	CV		
					Front / Rear

CITROËN

<b>C4 (LC_) 11.04-12.14</b>						<b>[CAMBIADO]:Fastback (Compact car-C Segment)</b>			
2.0 HDi (RHR (DW10BTED4))		Diesel	FWD	1997	100	136	11.04-07.11	*	
<b>C4 (LA_) 11.04-12.13</b>						<b>Coupé (Compact car-C Segment)</b>			
2.0 HDi (RHR (DW10BTED4))		Diesel	FWD	1997	100	136	11.04-12.10	*	
<b>C4 (LR_) 02.05-12.10</b>						<b>Furgón/hatchback (Compact car-C Segment)</b>			
2.0 HDi (RHR (DW10BTED4))		Diesel	FWD	1997	100	136	02.05-12.10	*	
<b>C4 III (BA_, BB_, BC_) 10.20-</b>						<b>[CAMBIADO]:Fastback (Compact car-C Segment)</b>			
1.2 PureTech 100 (BAHNEA, BAHNKA)		Gasolina	FWD	1199	74	101	04.21-	*	
1.2 PureTech 130 (BAHNSA, BAHNSB)		Gasolina	FWD	1199	96	131	10.20-	*	
1.2 PureTech 155 (BAHNNB, BAHNJD)		Gasolina	FWD	1199	114	155	01.21-	*	
è-C4 (BCZKXC, BZCKSC)		Eléctrico	FWD		100	136	10.20-	*	
è-C4 (BCZKWC)		Eléctrico	FWD		115	156	06.23-	*	
BLUEHDI 110 (BBYHSA)		Diesel	FWD	1499	81	110	12.20-	*	
1.5 BlueHDI 130 (BBYHZB)		Diesel	FWD	1499	96	131	10.20-	*	
<b>C4 Grand Picasso (UA_) 10.06-</b>						<b>MPV (Large MPV-M1 Segment)</b>			
1.6 16V (5FT (EP6DT))		Gasolina	FWD	1598	103	140	07.08-12.10	*	
1.6 16V (5FX (EP6DT))		Gasolina	FWD	1598	110	150	10.08-08.13	*	
2.0 i 16V (RFJ (EW10A))		Gasolina	FWD	1997	105	143	05.08-12.13	*	
2.0 HDi 138 (RHJ (DW10BTED4))		Diesel	FWD	1997	100	136	10.06-12.13	*	
2.0 HDi 138 (RHR (DW10BTED4))		Diesel	FWD	1997	100	136	10.06-12.13	*	
<b>C4 Picasso (UD_) 10.06-12.15</b>						<b>MPV (Compact MPV-M1 Segment)</b>			
1.6 THP 140 (5FT (EP6DT))		Gasolina	FWD	1598	103	140	07.08-08.13	*	

# LISTA DE APLICACIONES - BUYERS GUIDE

1.6 16V (5FX (EP6DT))		Gasolina	FWD	1598	110	150	07.08-08.13	*
1.6 THP 155 (5FV (EP6CDT))		Gasolina	FWD	1598	115	156	09.10-08.13	*
2.0 i 16V (RFN (EW10J4))		Gasolina	FWD	1997	105	143	05.08-05.13	*
2.0 HDi 138 (RHJ (DW10BTED4))		Diesel	FWD	1997	100	136	10.06-08.13	*
2.0 HDi 138 (RHR (DW10BTED4))		Diesel	FWD	1997	100	136	10.06-08.13	*
<b>C4 X (BD_, BE_, BF_) 09.22-</b>					<b>[CAMBIADO]:Fastback (Compact car-C Segment)</b>			
1.2 PureTech 100 (BDHNEA)		Gasolina	FWD	1199	74	101	09.22-	*
1.2 PureTech 130 (BDHNSB)		Gasolina	FWD	1199	96	131	09.22-	*
ë-C4 X (BFZKXC)		Eléctrico	FWD		100	136	09.22-	*
ë-C4 X		Eléctrico	FWD		115	156	07.23-	*
1.5 BlueHDi 130 (BEYHZB)		Diesel	FWD	1499	96	131	09.22-	*
<b>DS</b>								
<b>DS 3 CROSSBACK (UR_, UC_, UJ_) 10.18-</b>					<b>[CAMBIADO]:Fastback (City car-A Segment)</b>			
E-TENSE (UZZKXZ)		Eléctrico	FWD		115	156	01.23-	*
<b>FIAT</b>								
<b>600e / 600 (365_, 364_) 07.23-</b>					<b>SUV (City car-A Segment)</b>			
Electric		Eléctrico	FWD		115	156	07.23-	*
<b>JEEP</b>								
<b>AVENGER (J2) 12.22-</b>					<b>SUV (Subcompact SUV-B Segment)</b>			
Electric		Eléctrico	FWD		115	156	12.22-	*
<b>OPEL</b>								
<b>CORSA F (P2JO) 07.19-</b>					<b>[CAMBIADO]:Fastback (Supermini car-B Segment)</b>			
1.2 MHEV		Gasol./el éc.	FWD	1199	74	101	08.23-	*
CORSA-e		Eléctrico	FWD		115	156	03.23-	*
<b>PEUGEOT</b>								
<b>207 (WA_, WC_) 02.06-</b>					<b>[CAMBIADO]:Fastback (Supermini car-B Segment)</b>			
1.6 16V RC (5FY (EP6DTS))		Gasolina	FWD	1598	128	174	02.07-12.12	*
<b>207 SW (WK_) 02.07-</b>					<b>[CAMBIADO]:Break (Supermini car-B Segment)</b>			
1.6 16V RC (5FY (EP6DTS))		Gasolina	FWD	1598	128	174	02.07-12.12	*
<b>208 II (UB_, UP_, UW_, UJ_) 06.19-</b>					<b>[CAMBIADO]:Fastback (Supermini car-B Segment)</b>			
1.2 PureTech 75 (HMH (EB2FAD))		Gasolina	FWD	1199	55	75	06.19-	*
1.2 VTI 82		Gasolina	FWD	1199	60	82	06.19-	*
1.2 PureTech 100 (HNK (EB2ADT))		Gasolina	FWD	1199	74	101	06.19-	*
1.2 PureTech 130 (HNS (EB2ADTS))		Gasolina	FWD	1199	96	131	06.19-	*
1.2 PureTech 130 (HNY (EB2DTS))		Gasolina	FWD	1199	96	131	06.19-	*
1.6 VTi 115 (UWNFPW, UWNFJW)		Gasolina	FWD	1587	85	116	11.19-	*
e-208 (ZKX (ZK01))		Eléctrico	FWD		100	136	06.19-	*
e-208		Eléctrico	FWD		115	156	01.23-	*
1.5 BlueHDi 100 (YHY (DV5RD))		Diesel	FWD	1499	75	102	06.19-	*
1.5 BlueHDi 130 (YHZ (DV5RC))		Diesel	FWD	1499	96	131	09.19-	*
1.6 HDi 90 (UB9HPA)		Diesel	FWD	1560	68	92	10.19-	*
<b>3008 (OU_) 05.09-12.17</b>					<b>MPV (Compact MPV-M1 Segment)</b>			
1.6 THP (5FM (EP6CDTM))		Gasolina	FWD	1598	120	163	09.10-08.16	*
1.6 Turbo (5GZ (EP6FDT))		Gasolina	FWD	1598	121	165	05.14-08.16	*

# LISTA DE APLICACIONES - BUYERS GUIDE

<b>307 (3E) 03.02-</b>					<b>[CAMBIADO]:Break (Compact car-C Segment)</b>			
2.0 16V (RFK (EW10J4S))	Gasolina	FWD	1997	130	177	06.05-04.08	*	
2.0 HDi 135 (RHR (DW10BTED4))	Diesel	FWD	1997	100	136	02.04-04.08	*	
<b>307 (3A/C) 08.00-</b>					<b>[CAMBIADO]:Fastback (Compact car-C Segment)</b>			
2.0 16V (RFK (EW10J4S))	Gasolina	FWD	1997	130	177	06.05-11.07	*	
2.0 HDi 135 (RHR (DW10BTED4))	Diesel	FWD	1997	100	136	10.03-11.07	*	
<b>307 (3B) 03.03-06.09</b>					<b>Cabrío (Compact car-C Segment)</b>			
2.0 16V (RFK (EW10J4S))	Gasolina	FWD	1997	130	177	10.03-04.09	*	
2.0 16V (RFK (EW10J4S))	Gasolina	FWD	1997	132	180	04.05-06.09	*	
2.0 HDi 135 (RHR (DW10BTED4))	Diesel	FWD	1997	100	136	06.05-04.09	*	
<b>307 SW (3E_, 3H_) 04.02-12.09</b>					<b>[CAMBIADO]:Furgón/Break (Compact car-C Segment)</b>			
2.0 HDi (RHR (DW10BTED4))	Diesel	FWD	1997	100	136	04.04-11.07	*	
<b>VAUXHALL</b>								
<b>CORSA Mk V (F) 07.19-</b>					<b>[CAMBIADO]:Fastback (Supermini car-B Segment)</b>			
CORSA-e	Eléctrico	FWD		115	156	03.23-	*	