

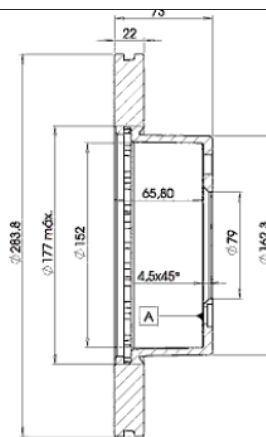
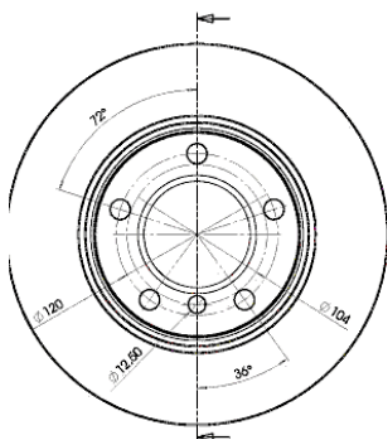
LISTA DE APLICACIONES - BUYERS GUIDE

78RBD24629



Weight: 13.136

O.E.M.	MAKE
34 11 6 764 629	BMW



78RBD24629

E1 90R-02C0452/0083



Ø284x22x73

Sin Filas



Trac.	CC	Kw	CV
-------	----	----	----



Front / Rear

BMW

1 Serie (E87) 02.03-12.13							[CAMBIADO]:Fastback (Compact car-C Segment)	
116 i (N45 B16 A)		Gasolina	RWD	1596	85	115	06.04-06.11	*
116 i (N45 B16 A)		Gasolina	RWD	1596	85	115	09.07-12.11	*
116 i		Gasolina	RWD	1599	89	121	03.07-06.11	*
116 i (N43 B16 AA)		Gasolina	RWD	1599	90	122	09.07-06.11	*
116 i (N43 B16 AA)		Gasolina	RWD	1599	90	122	03.07-12.11	*
116 i (N43 B20 A)		Gasolina	RWD	1995	90	122	01.09-06.11	*
116 i (N43 B20 A)		Gasolina	RWD	1995	90	122	11.08-12.11	*
118 i (N46 B20 B)		Gasolina	RWD	1995	95	129	07.04-02.07	*
118 i		Gasolina	FWD	1995	95	129	09.06-09.12	*
118 i (N46 B20 B)		Gasolina	RWD	1995	100	136	10.06-06.11	*
118 i (N46 B20 B)		Gasolina	RWD	1995	100	136	09.06-12.11	*
118 i (N43 B20 A)		Gasolina	RWD	1995	105	143	09.06-06.11	*
118 i (N43 B20 A)		Gasolina	RWD	1995	105	143	09.06-12.11	*
120 i (N46 B20 B)		Gasolina	RWD	1995	110	150	06.04-02.07	*
120 i (N46 B20 BD)		Gasolina	RWD	1995	110	150	06.04-02.07	*
120 i (N46 B20 C)		Gasolina	RWD	1995	110	150	06.04-02.07	*
120 i (N46 B20 CC)		Gasolina	RWD	1995	110	150	06.04-02.07	*
120 i (N46 B20 A)		Gasolina	RWD	1995	115	156	03.07-06.11	*
120 i (N46 B20 B)		Gasolina	RWD	1995	115	156	03.07-06.11	*
120 i (N46 B20 BD)		Gasolina	RWD	1995	115	156	03.07-06.11	*
120 i (N46 B20 C)		Gasolina	RWD	1995	115	156	03.07-06.11	*
120 i (N46 B20 CC)		Gasolina	RWD	1995	115	156	03.07-06.11	*
120 i (N43 B20 A)		Gasolina	RWD	1995	120	163	03.07-06.11	*

LISTA DE APLICACIONES - BUYERS GUIDE

118 i (N43 B20 A)		Gasolina	RWD	1995	125	170	03.07-12.07	*
120 i (N43 B20 A)		Gasolina	RWD	1995	125	170	03.07-06.11	*
130 i (N52 B30 A)		Gasolina	RWD	2996	190	258	03.07-06.11	*
130 i (N52 B30 AF)		Gasolina	RWD	2996	190	258	03.07-06.11	*
130 i (N52 B30 B)		Gasolina	RWD	2996	190	258	03.07-06.11	*
130 i (N52 B30 BF)		Gasolina	RWD	2996	190	258	03.07-06.11	*
130 i (N52 B30 A)		Gasolina	RWD	2996	195	265	09.05-02.07	*
130 i (N52 B30 AF)		Gasolina	RWD	2996	195	265	09.05-02.07	*
130 i (N52 B30 BF)		Gasolina	RWD	2996	195	265	09.05-02.07	*
116 d (N47 D20 C)		Diesel	RWD	1995	66	90	01.11-12.11	*
116 d (N47 D20 A)		Diesel	RWD	1995	66	90	01.11-12.11	*
116 d (N47 D20 C)		Diesel	RWD	1995	66	90	01.11-12.11	*
116 d (N47 D20 A)		Diesel	RWD	1995	85	116	03.09-06.11	*
116 d (N47 D20 C)		Diesel	RWD	1995	85	116	03.09-06.11	*
116 d (N47 D20 A)		Diesel	RWD	1995	85	116	11.08-12.11	*
116 d (N47 D20 C)		Diesel	RWD	1995	85	116	11.08-12.11	*
118 d (M47 D20 (204D4))		Diesel	RWD	1995	90	122	06.04-02.07	*
118 d		Diesel	RWD	1995	90	122	09.06-09.12	*
118 d (N47 D20 A)		Diesel	RWD	1995	100	136	03.07-06.11	*
118 d (N47 D20 C)		Diesel	RWD	1995	100	136	03.07-06.11	*
118 d (N47 D20 A)		Diesel	RWD	1995	105	143	03.07-06.11	*
118 d (N47 D20 C)		Diesel	RWD	1995	105	143	03.07-06.11	*
118 d (N47 D20 A)		Diesel	RWD	1995	105	143	09.06-12.11	*
118 d (N47 D20 C)		Diesel	RWD	1995	105	143	09.06-12.11	*
120 d (M47 D20 (204D4))		Diesel	RWD	1995	120	163	06.04-06.11	*
120 d (N47 D20 A)		Diesel	RWD	1995	120	163	06.04-06.11	*
120 d (N47 D20 A)		Diesel	RWD	1995	130	177	03.07-06.11	*
120 d (N47 D20 C)		Diesel	RWD	1995	130	177	03.07-06.11	*
123 d (N47 D20 B)		Diesel	RWD	1995	150	204	03.07-06.11	*
123 d (N47 D20 D)		Diesel	RWD	1995	150	204	03.07-06.11	*