

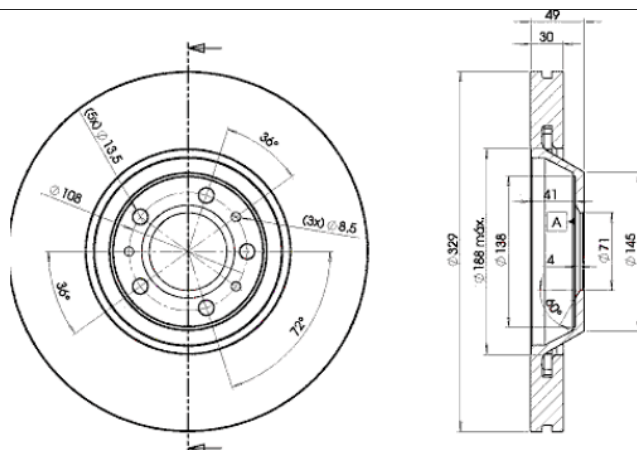
LISTA DE APLICACIONES - BUYERS GUIDE

78RBD24608



Weight: 22.216

O.E.M.	MAKE
4246.E0	PEUGEOT
4246.P8	PEUGEOT



78RBD24608



Ø329x30x48

Sin Filas



Trac.	CC	Kw	CV		
					Front / Rear

CITROËN

					[CAMBIADO]:Break (Large family car-D Segment)				
C5 II (RW_) 02.08-									
3.0		Gasolina	FWD	2946	152	207	02.08-	*	
3.0 V6 (RWXFVA, RWXFUA) (XFU (ES9A))		Gasolina	FWD	2946	155	211	02.08-12.10	*	
3.0 V6 (RWXFVA, RWXFUA) (XFV (ES9A))		Gasolina	FWD	2946	155	211	02.08-12.10	*	
2.2 HDi 165 (4HP (DW12BTED4))		Diesel	FWD	2179	120	163	02.08-08.09	*	
2.2 HDi (RW4HTH) (4HT (DW12BTED4))		Diesel	FWD	2179	125	170	02.08-12.11	*	
2.7 HDi (UHZ (DT17TED4))		Diesel	FWD	2720	150	204	02.08-10.09	*	
C5 II (RD_) 02.08-					Sedán (Large family car-D Segment)				
3.0		Gasolina	FWD	2946	152	207	02.08-	*	
3.0 V6 (RDXFVJ) (XFU (ES9A))		Gasolina	FWD	2946	155	211	02.08-12.10	*	
3.0 V6 (RDXFVJ) (XFV (ES9A))		Gasolina	FWD	2946	155	211	02.08-12.10	*	
2.2 HDi (RD4HTH, RD4HPH, RD4HRH, RD4HSH) (4HP (DW12BTED4))		Diesel	FWD	2179	120	163	04.09-12.11	*	
2.2 HDi (RD4HTH, RD4HPH, RD4HRH, RD4HSH) (4HR (DW12BTED4))		Diesel	FWD	2179	120	163	04.09-12.11	*	
2.2 HDi (RD4HTH) (4HT (DW12BTED4))		Diesel	FWD	2179	125	170	02.08-12.11	*	
2.7 HDi (RDUHZJ) (UHZ (DT17TED4))		Diesel	FWD	2720	150	204	02.08-12.09	*	
C6 (TD_) 09.05-					Sedán (Executive car-E Segment)				
3.0 V6 (XFV (ES9A))		Gasolina	FWD	2946	155	211	09.05-12.12	*	
3.0 V6 (XFX (ES9J4S))		Gasolina	FWD	2946	155	211	09.05-12.12	*	
2.2 HDi (4HP (DW12BTED4))		Diesel	FWD	2179	120	163	06.06-12.10	*	
2.2 HDi (4HT (DW12BTED4))		Diesel	FWD	2179	125	170	06.06-12.12	*	
2.7 HDi (UHZ (DT17TED4))		Diesel	FWD	2720	150	204	09.05-12.11	*	

PEUGEOT

LISTA DE APLICACIONES - BUYERS GUIDE

407 (6C_) 10.05-					Coupé (Large family car-D Segment)			
2.2 16V (3FY (EW12J4))	Gasolina	FWD	2230	120	163	10.05-	*	
3.0 V6 (XFV (ES9A))	Gasolina	FWD	2946	155	211	10.05-	*	
3.0 V6	Gasolina	FWD	2946	158	215	11.05-10.10	*	
2.0 HDi (RHH (DW10CTED4))	Diesel	FWD	1997	120	163	06.09-	*	
2.7 HDi (UHZ (DT17TED4))	Diesel	FWD	2720	150	204	10.05-	*	
3.0 HDi (DT20C)	Diesel	FWD	2992	177	241	06.09-	*	
407 (6D_) 02.04-12.13					Sedán (Large family car-D Segment)			
2.2 16V (6D3FYH, 6D3FYE) (3FY (EW12J4))	Gasolina	FWD	2230	120	163	08.05-12.10	*	
3.0 (6DXFVJ) (XFV (ES9A))	Gasolina	FWD	2946	155	211	03.04-12.10	*	
3.0 V6 (6DXFVJ)	Gasolina	FWD	2946	158	215	11.05-10.10	*	
2.2 HDi (6D4HPH) (4HP (DW12BTED4))	Diesel	FWD	2179	120	163	03.06-12.10	*	
2.2 HDi 170 (6D4HTH) (4HT (DW12BTED4))	Diesel	FWD	2179	125	170	03.06-12.10	*	
2.7 HDi (6DUHZJ, 6DUHZF) (UHZ (DT17TED4))	Diesel	FWD	2720	150	204	10.05-12.10	*	
407 SW (6E_, 6D_) 05.04-					[CAMBIADO]:Break (Large family car-D Segment)			
2.2 16V (3FY (EW12J4))	Gasolina	FWD	2230	120	163	08.05-12.10	*	
3.0 (XFV (ES9A))	Gasolina	FWD	2946	155	211	05.04-12.10	*	
2.2 HDi (4HP (DW12BTED4))	Diesel	FWD	2179	120	163	06.08-12.10	*	
2.2 HDi 170 (4HT (DW12BTED4))	Diesel	FWD	2179	125	170	03.06-12.10	*	
2.7 HDi (UHZ (DT17TED4))	Diesel	FWD	2720	150	204	10.05-12.10	*	
607 (9D, 9U) 01.00-					Sedán (Executive car-E Segment)			
2.2 HDi (4HX (DW12TED4))	Diesel	FWD	2179	98	133	02.00-02.06	*	