

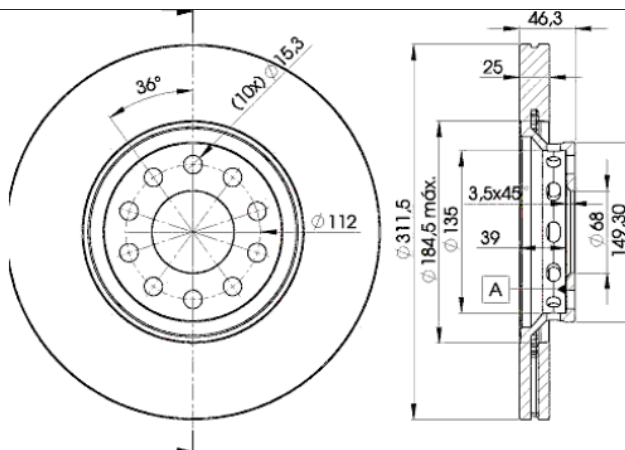
LISTA DE APLICACIONES - BUYERS GUIDE

**78RBD24065**



Weight: 17.880

O.E.M.	MAKE
3B0 615 301 B	VW
4B0 615 301 A	VW
4B0 615 301 C	VW
8D0 615 301 J	VW
8E0 615 301 R	VW
L8E0615301R	VW (SVW)



**78RBD24065**

**E1 90R-02C0289/1142**



Ø312x25x46.2

Sin Filas



Trac.	CC	Kw	CV
-------	----	----	----



Front / Rear

**AUDI**

						<b>[CAMBIADO]:Break (Compact executive car-D Segment)</b>			
<b>A4 B5 Avant (8D5) 11.94-12.02</b>									
2.4		Gasolina	FWD	2393	110	150	07.95-07.97	*	
2.8 (ATX)		Gasolina	FWD	2771	140	190	03.99-09.00	*	
2.8 quattro (ATX)		Gasolina	4WD	2771	140	190	03.99-09.00	*	
<b>A4 II B6 (8H7) 01.02-12.09</b>						<b>Cabrío (Compact executive car-D Segment)</b>			
3.0 (BBJ)		Gasolina	FWD	2976	160	218	04.02-12.05	*	
3.0 (ASN)		Gasolina	FWD	2976	162	220	04.02-12.05	*	
3.0 (AVK)		Gasolina	FWD	2976	162	220	04.02-12.05	*	
3.0 (BGN)		Gasolina	FWD	2976	162	220	04.02-12.05	*	
2.5 TDI (BCZ)		Diesel	FWD	2496	120	163	08.02-12.05	*	
2.5 TDI (BDG)		Diesel	FWD	2496	120	163	08.02-12.05	*	
2.5 TDI (BFC)		Diesel	FWD	2496	120	163	08.02-12.05	*	
<b>A4 II B6 (8E2) 11.00-12.05</b>						<b>Sedán (Compact executive car-D Segment)</b>			
3.0 (BBJ)		Gasolina	FWD	2976	160	218	04.01-12.04	*	
3.0 quattro (BBJ)		Gasolina	4WD	2976	160	218	04.01-12.04	*	
3.0 (ASN)		Gasolina	FWD	2976	162	220	11.00-12.04	*	
3.0 (AVK)		Gasolina	FWD	2976	162	220	11.00-12.04	*	
3.0 quattro (ASN)		Gasolina	4WD	2976	162	220	11.00-12.04	*	
3.0 quattro (AVK)		Gasolina	4WD	2976	162	220	11.00-12.04	*	
<b>A4 II B6 Avant (8E5) 02.00-12.05</b>						<b>[CAMBIADO]:Break (Compact executive car-D Segment)</b>			
1.8 T quattro (BFB)		Gasolina	4WD	1781	120	163	07.02-12.04	*	
1.8 T quattro (AMB)		Gasolina	4WD	1781	125	170	09.01-12.04	*	

# LISTA DE APLICACIONES - BUYERS GUIDE

1.8 T quattro (BEX)	Gasolina	4WD	1781	140	190	11.02-12.04	*
3.0 (BBJ)	Gasolina	FWD	2976	160	218	04.01-12.04	*
3.0 quattro (BBJ)	Gasolina	4WD	2976	160	218	04.01-12.04	*
3.0 (ASN)	Gasolina	FWD	2976	162	220	09.01-12.04	*
3.0 quattro (ASN)	Gasolina	4WD	2976	162	220	09.01-12.04	*
3.0 quattro (AVK)	Gasolina	4WD	2976	162	220	09.01-12.04	*
<b>A4 III B7 Avant (8ED) 11.04-11.08</b>							<b>[CAMBIADO]:Break (Compact executive car-D Segment)</b>
1.8 T (BFB)	Gasolina	FWD	1781	120	163	11.04-06.08	*
1.8 T quattro (BFB)	Gasolina	4WD	1781	120	163	11.04-06.08	*
2.0 TFSI (BPJ)	Gasolina	FWD	1984	125	170	10.06-06.08	*
2.0 TFSI (BYK)	Gasolina	FWD	1984	125	170	10.06-06.08	*
2.0 TFSI (BGB)	Gasolina	FWD	1984	147	200	11.04-06.08	*
2.0 TFSI (BPG)	Gasolina	FWD	1984	147	200	11.04-06.08	*
2.0 TFSI (BWE)	Gasolina	FWD	1984	147	200	11.04-06.08	*
2.0 TFSI quattro (BGB)	Gasolina	4WD	1984	147	200	11.04-06.08	*
2.0 TFSI quattro (BPG)	Gasolina	4WD	1984	147	200	11.04-06.08	*
2.0 TFSI quattro (BWE)	Gasolina	4WD	1984	147	200	11.04-06.08	*
2.0 TFSI quattro (BWT)	Gasolina	4WD	1984	147	200	11.04-06.08	*
2.0 TFSI (BUL)	Gasolina	FWD	1984	162	220	06.05-06.08	*
2.0 TFSI quattro (BUL)	Gasolina	4WD	1984	162	220	06.05-06.08	*
3.0 quattro (BBJ)	Gasolina	4WD	2976	160	218	11.04-07.06	*
2.0 TDI (BVA)	Diesel	FWD	1968	120	163	06.06-06.08	*
2.0 TDI quattro (BVA)	Diesel	4WD	1968	120	163	06.06-06.08	*
2.0 TDI (BRD)	Diesel	FWD	1968	125	170	06.06-06.08	*
2.0 TDI quattro (BRD)	Diesel	4WD	1968	125	170	06.06-06.08	*
2.5 TDI (BDG)	Diesel	FWD	2496	120	163	11.04-05.06	*
<b>A4 III B7 (8HE) 01.02-01.10</b>							<b>Cabrio (Compact executive car-D Segment)</b>
1.8 T	Gasolina	FWD	1781	120	163	01.06-03.09	*
3.0 TDI quattro (BKN)	Diesel	4WD	2967	150	204	01.06-03.09	*
3.0 TDI quattro (ASB)	Diesel	4WD	2967	171	233	01.06-03.09	*
<b>A4 III B7 (8EC) 11.04-01.09</b>							<b>Sedán (Compact executive car-D Segment)</b>
1.8 T (BFB)	Gasolina	FWD	1781	120	163	11.04-06.08	*
1.8 T quattro (BFB)	Gasolina	4WD	1781	120	163	11.04-06.08	*
2.0 TFSI (BPJ)	Gasolina	FWD	1984	125	170	10.06-06.08	*
2.0 TFSI (BYK)	Gasolina	FWD	1984	125	170	10.06-06.08	*
2.0 TFSI (BGB)	Gasolina	FWD	1984	147	200	11.04-06.08	*
2.0 TFSI (BPG)	Gasolina	FWD	1984	147	200	11.04-06.08	*
2.0 TFSI (BWE)	Gasolina	FWD	1984	147	200	11.04-06.08	*
2.0 TFSI (BWT)	Gasolina	FWD	1984	147	200	11.04-06.08	*
2.0 TFSI quattro (BGB)	Gasolina	4WD	1984	147	200	11.04-06.08	*
2.0 TFSI quattro (BPG)	Gasolina	4WD	1984	147	200	11.04-06.08	*
2.0 TFSI quattro (BWE)	Gasolina	4WD	1984	147	200	11.04-06.08	*
2.0 TFSI quattro (BWT)	Gasolina	4WD	1984	147	200	11.04-06.08	*
2.0 TFSI (BUL)	Gasolina	FWD	1984	162	220	06.05-06.08	*
3.0 quattro (BBJ)	Gasolina	4WD	2976	160	218	11.04-07.06	*
2.0 TDI (BVA)	Diesel	FWD	1968	120	163	06.06-06.08	*
2.0 TDI quattro (BVA)	Diesel	4WD	1968	120	163	06.06-06.08	*
2.0 TDI (BRD)	Diesel	FWD	1968	125	170	06.06-06.08	*
2.0 TDI quattro (BRD)	Diesel	4WD	1968	125	170	06.06-06.08	*

# LISTA DE APLICACIONES - BUYERS GUIDE

<b>A6 II C5 Avant (4B5, 4B6) 11.97-01.06</b>					<b>[CAMBIADO]:Break (Executive car-E Segment)</b>			
1.8 (AJP)		Gasolina	FWD	1781	92	125	12.97-01.05	*
1.8 (AQE)		Gasolina	FWD	1781	92	125	12.97-01.05	*
1.8 (ARH)		Gasolina	FWD	1781	92	125	12.97-01.05	*
1.8 T (AEB)		Gasolina	FWD	1781	110	150	12.97-01.05	*
1.8 T (ANB)		Gasolina	FWD	1781	110	150	12.97-01.05	*
1.8 T (APU)		Gasolina	FWD	1781	110	150	12.97-01.05	*
1.8 T (ARK)		Gasolina	FWD	1781	110	150	12.97-01.05	*
1.8 T (AWT)		Gasolina	FWD	1781	110	150	12.97-01.05	*
1.8 T quattro (AEB)		Gasolina	4WD	1781	110	150	12.97-01.05	*
1.8 T quattro (ANB)		Gasolina	4WD	1781	110	150	12.97-01.05	*
1.8 T quattro (APU)		Gasolina	4WD	1781	110	150	12.97-01.05	*
1.8 T quattro (ARK)		Gasolina	4WD	1781	110	150	12.97-01.05	*
1.8 T quattro (AWT)		Gasolina	4WD	1781	110	150	12.97-01.05	*
1.8 T (AJL)		Gasolina	FWD	1781	132	180	04.99-01.05	*
1.8 T quattro (AJL)		Gasolina	4WD	1781	132	180	12.97-01.05	*
2.0 (ALT)		Gasolina	FWD	1984	96	130	08.01-01.05	*
2.4 (ALW)		Gasolina	FWD	2393	100	136	07.98-01.05	*
2.4 (ARN)		Gasolina	FWD	2393	100	136	07.98-01.05	*
2.4 (ASM)		Gasolina	FWD	2393	100	136	07.98-01.05	*
2.4 (APC)		Gasolina	FWD	2393	115	156	12.97-01.05	*
2.4 quattro (APC)		Gasolina	4WD	2393	115	156	08.98-05.01	*
2.4 (AJG)		Gasolina	FWD	2393	120	163	12.97-01.05	*
2.4 (AMM)		Gasolina	FWD	2393	120	163	12.97-01.05	*
2.4 (APZ)		Gasolina	FWD	2393	120	163	12.97-01.05	*
2.4 quattro (AJG)		Gasolina	4WD	2393	120	163	12.97-01.05	*
2.4 quattro (APZ)		Gasolina	4WD	2393	120	163	12.97-01.05	*
2.4 (AGA)		Gasolina	FWD	2393	121	165	12.97-01.05	*
2.4 (ALF)		Gasolina	FWD	2393	121	165	12.97-01.05	*
2.4 (AML)		Gasolina	FWD	2393	121	165	12.97-01.05	*
2.4 (APS)		Gasolina	FWD	2393	121	165	12.97-01.05	*
2.4 (ARJ)		Gasolina	FWD	2393	121	165	12.97-01.05	*
2.4 quattro (AGA)		Gasolina	4WD	2393	121	165	12.97-01.05	*
2.4 quattro (ALF)		Gasolina	4WD	2393	121	165	12.97-01.05	*
2.4 quattro (AML)		Gasolina	4WD	2393	121	165	12.97-01.05	*
2.4 quattro (APS)		Gasolina	4WD	2393	121	165	12.97-01.05	*
2.4 quattro (ARJ)		Gasolina	4WD	2393	121	165	12.97-01.05	*
2.4 (BDV)		Gasolina	FWD	2393	125	170	08.01-01.05	*
2.4 quattro (BDV)		Gasolina	4WD	2393	125	170	08.01-01.05	*
2.8 (AGE)		Gasolina	FWD	2771	132	180	12.97-05.00	*
2.8 (ATX)		Gasolina	FWD	2771	140	190	07.99-01.05	*
2.8 quattro		Gasolina	4WD	2771	140	190	08.98-04.01	*
2.8 (ACK)		Gasolina	FWD	2771	142	193	12.97-01.05	*
2.8 (ALG)		Gasolina	FWD	2771	142	193	12.97-01.05	*
2.8 (AMX)		Gasolina	FWD	2771	142	193	12.97-01.05	*
2.8 (APR)		Gasolina	FWD	2771	142	193	12.97-01.05	*
2.8 (AQD)		Gasolina	FWD	2771	142	193	12.97-01.05	*
2.8 quattro (ACK)		Gasolina	4WD	2771	142	193	12.97-01.05	*
2.8 quattro (ALG)		Gasolina	4WD	2771	142	193	12.97-01.05	*
2.8 quattro (AMX)		Gasolina	4WD	2771	142	193	12.97-01.05	*
2.8 quattro (APR)		Gasolina	4WD	2771	142	193	12.97-01.05	*

# LISTA DE APLICACIONES - BUYERS GUIDE

2.8 quattro (AQD)		Gasolina	4WD	2771	142	193	12.97-01.05	*
2.8 quattro (ATQ)		Gasolina	4WD	2771	142	193	12.97-01.05	*
3.0 (BBJ)		Gasolina	FWD	2976	160	218	06.01-01.05	*
3.0 quattro (BBJ)		Gasolina	4WD	2976	160	218	06.01-01.05	*
3.0 (ASN)		Gasolina	FWD	2976	162	220	08.01-01.05	*
3.0 quattro (ASN)		Gasolina	4WD	2976	162	220	08.01-01.05	*
3.7 (AQG)		Gasolina	FWD	3697	191	260	03.99-01.05	*
1.9 TDI (AFN)		Diesel	FWD	1896	81	110	02.98-04.01	*
1.9 TDI (AVG)		Diesel	FWD	1896	81	110	02.98-04.01	*
1.9 TDI (AJM)		Diesel	FWD	1896	85	115	07.00-01.05	*
1.9 TDI (AVF)		Diesel	FWD	1896	96	130	08.01-01.05	*
1.9 TDI (AWX)		Diesel	FWD	1896	96	130	08.01-01.05	*
2.5 TDI (AFB)		Diesel	FWD	2496	110	150	12.97-01.05	*
2.5 TDI (AKN)		Diesel	FWD	2496	110	150	12.97-01.05	*
2.5 TDI quattro (AFB)		Diesel	4WD	2496	110	150	12.97-01.05	*
2.5 TDI quattro (AKN)		Diesel	4WD	2496	110	150	12.97-01.05	*
2.5 TDI (AYM)		Diesel	FWD	2496	114	155	08.01-01.05	*
2.5 TDI (BCZ)		Diesel	FWD	2496	120	163	07.02-01.05	*
2.5 TDI (BDG)		Diesel	FWD	2496	120	163	07.02-01.05	*
2.5 TDI (BFC)		Diesel	FWD	2496	120	163	07.02-01.05	*
2.5 TDI (AKE)		Diesel	FWD	2496	132	180	02.00-01.05	*
2.5 TDI (BAU)		Diesel	FWD	2496	132	180	02.00-01.05	*
2.5 TDI (BDH)		Diesel	FWD	2496	132	180	02.00-01.05	*
2.5 TDI quattro (AKE)		Diesel	4WD	2496	132	180	02.00-01.05	*
2.5 TDI quattro (BAU)		Diesel	4WD	2496	132	180	02.00-01.05	*
2.5 TDI quattro (BDH)		Diesel	4WD	2496	132	180	02.00-01.05	*
<b>A6 II C5 (4B2, 4B4) 01.97-12.05</b>					<b>Sedán (Executive car-E Segment)</b>			
1.8 T (AEB)		Gasolina	FWD	1781	110	150	01.97-01.05	*
1.8 T (ANB)		Gasolina	FWD	1781	110	150	01.97-01.05	*
1.8 T (APU)		Gasolina	FWD	1781	110	150	01.97-01.05	*
1.8 T (ARK)		Gasolina	FWD	1781	110	150	01.97-01.05	*
1.8 T (AWT)		Gasolina	FWD	1781	110	150	01.97-01.05	*
1.8 T quattro (AEB)		Gasolina	4WD	1781	110	150	02.97-01.05	*
1.8 T quattro (ANB)		Gasolina	4WD	1781	110	150	02.97-01.05	*
1.8 T quattro (APU)		Gasolina	4WD	1781	110	150	02.97-01.05	*
1.8 T quattro (ARK)		Gasolina	4WD	1781	110	150	02.97-01.05	*
1.8 T quattro (AWT)		Gasolina	4WD	1781	110	150	02.97-01.05	*
1.8 T (AJL)		Gasolina	FWD	1781	132	180	12.97-01.05	*
2.0 (ALT)		Gasolina	FWD	1984	96	130	08.01-01.05	*
2.4 (APC)		Gasolina	FWD	2393	115	156	02.97-01.05	*
2.4 quattro (APC)		Gasolina	4WD	2393	115	156	08.98-07.99	*
2.4 (AJG)		Gasolina	FWD	2393	120	163	02.97-01.05	*
2.4 (AMM)		Gasolina	FWD	2393	120	163	02.97-01.05	*
2.4 (APZ)		Gasolina	FWD	2393	120	163	02.97-01.05	*
2.4 quattro (AJG)		Gasolina	4WD	2393	120	163	02.97-01.05	*
2.4 quattro (APZ)		Gasolina	4WD	2393	120	163	02.97-01.05	*
2.4 (AGA)		Gasolina	FWD	2393	121	165	02.97-01.05	*
2.4 (ALF)		Gasolina	FWD	2393	121	165	02.97-01.05	*
2.4 (AML)		Gasolina	FWD	2393	121	165	02.97-01.05	*
2.4 (APS)		Gasolina	FWD	2393	121	165	02.97-01.05	*
2.4 (ARJ)		Gasolina	FWD	2393	121	165	02.97-01.05	*

# LISTA DE APLICACIONES - BUYERS GUIDE

2.4 quattro (AGA)		Gasolina	4WD	2393	121	165	02.97-01.05	*
2.4 quattro (ALF)		Gasolina	4WD	2393	121	165	02.97-01.05	*
2.4 quattro (AML)		Gasolina	4WD	2393	121	165	02.97-01.05	*
2.4 quattro (APS)		Gasolina	4WD	2393	121	165	02.97-01.05	*
2.4 quattro (ARJ)		Gasolina	4WD	2393	121	165	02.97-01.05	*
2.4 (BDV)		Gasolina	FWD	2393	125	170	08.01-01.05	*
2.4 quattro (BDV)		Gasolina	4WD	2393	125	170	08.01-01.05	*
2.8 (AGE)		Gasolina	FWD	2771	132	180	10.97-05.00	*
2.8 (ATX)		Gasolina	FWD	2771	140	190	07.99-01.05	*
2.8 (ACK)		Gasolina	FWD	2771	142	193	02.97-01.05	*
2.8 (ALG)		Gasolina	FWD	2771	142	193	02.97-01.05	*
2.8 (AMX)		Gasolina	FWD	2771	142	193	02.97-01.05	*
2.8 (APR)		Gasolina	FWD	2771	142	193	02.97-01.05	*
2.8 (AQD)		Gasolina	FWD	2771	142	193	02.97-01.05	*
2.8 (ATQ)		Gasolina	FWD	2771	142	193	02.97-01.05	*
2.8 24V		Gasolina	FWD	2771	142	193	05.97-07.99	*
2.8 quattro (ACK)		Gasolina	4WD	2771	142	193	02.97-01.05	*
2.8 quattro (ALG)		Gasolina	4WD	2771	142	193	02.97-01.05	*
2.8 quattro (AMX)		Gasolina	4WD	2771	142	193	02.97-01.05	*
2.8 quattro (APR)		Gasolina	4WD	2771	142	193	02.97-01.05	*
2.8 quattro (AQD)		Gasolina	4WD	2771	142	193	02.97-01.05	*
2.8 quattro (ATQ)		Gasolina	4WD	2771	142	193	02.97-01.05	*
3.0 (BBJ)		Gasolina	FWD	2976	160	218	06.01-01.05	*
3.0 quattro (BBJ)		Gasolina	4WD	2976	160	218	06.01-07.04	*
3.0 (ASN)		Gasolina	FWD	2976	162	220	08.01-01.05	*
3.0 quattro (ASN)		Gasolina	4WD	2976	162	220	08.01-01.05	*
3.7 (AQG)		Gasolina	FWD	3697	191	260	03.99-01.05	*
1.9 TDI (AFN)		Diesel	FWD	1896	81	110	04.97-10.00	*
1.9 TDI (AVG)		Diesel	FWD	1896	81	110	04.97-10.00	*
1.9 TDI (AJM)		Diesel	FWD	1896	85	115	07.00-01.05	*
1.9 TDI (AVF)		Diesel	FWD	1896	96	130	08.01-01.05	*
1.9 TDI (AWX)		Diesel	FWD	1896	96	130	08.01-01.05	*
2.5 TDI (AFB)		Diesel	FWD	2496	110	150	07.97-01.05	*
2.5 TDI (AKN)		Diesel	FWD	2496	110	150	07.97-01.05	*
2.5 TDI (AYM)		Diesel	FWD	2496	114	155	08.01-01.05	*
2.5 TDI (BCZ)		Diesel	FWD	2496	120	163	07.02-01.05	*
2.5 TDI (BDG)		Diesel	FWD	2496	120	163	07.02-01.05	*
2.5 TDI (BFC)		Diesel	FWD	2496	120	163	07.02-01.05	*
2.5 TDI (AKE)		Diesel	FWD	2496	132	180	02.00-01.05	*
2.5 TDI (BAU)		Diesel	FWD	2496	132	180	02.00-01.05	*
2.5 TDI (BDH)		Diesel	FWD	2496	132	180	02.00-01.05	*
2.5 TDI quattro (AKE)		Diesel	4WD	2496	132	180	02.00-01.05	*
2.5 TDI quattro (BAU)		Diesel	4WD	2496	132	180	02.00-01.05	*
2.5 TDI quattro (BDH)		Diesel	4WD	2496	132	180	02.00-01.05	*
<b>A6 C4 (4A2) 06.94-01.98</b>							<b>Sedán (Executive car-E Segment)</b>	
2.8 (ACK)		Gasolina	FWD	2771	142	193	12.95-10.97	*
2.8 quattro (ACK)		Gasolina	4WD	2771	142	193	12.95-10.97	*
<b>SEAT</b>								
<b>EXEO (3R2) 12.08-</b>							<b>Sedán (Compact executive car-D Segment)</b>	
1.8 T (CFMA)		Gasolina	FWD	1781	110	150	12.08-05.10	*

# LISTA DE APLICACIONES - BUYERS GUIDE

1.8 TSI (CDHA)		Gasolina	FWD	1798	88	120	09.10-05.13	*	
1.8 TSI (CDHB)		Gasolina	FWD	1798	118	160	05.10-05.13	*	
2.0 TFSI (BWE)		Gasolina	FWD	1984	147	200	03.09-05.13	*	
2.0 TDI (CAGC)		Diesel	FWD	1968	88	120	12.08-05.13	*	
2.0 TDI (CJCC)		Diesel	FWD	1968	88	120	12.08-05.13	*	
2.0 TDI (CAGA)		Diesel	FWD	1968	105	143	12.08-05.13	*	
2.0 TDI (CJCA)		Diesel	FWD	1968	105	143	12.08-05.13	*	
2.0 TDI (CAHA)		Diesel	FWD	1968	125	170	02.09-05.13	*	
2.0 TDI (CGLB)		Diesel	FWD	1968	125	170	02.09-05.13	*	
<b>EXEO Station Wagon (3R5) 05.09-</b>							<b>[CAMBIADO]:Break (Compact executive car-D Segment)</b>		
1.8 TSI (CDHB)		Gasolina	FWD	1798	118	160	05.10-05.13	*	
2.0 TDI (CAHA)		Diesel	FWD	1968	125	170	05.09-05.13	*	
2.0 TDI (CGLB)		Diesel	FWD	1968	125	170	05.09-05.13	*	
<b>SKODA</b>									
<b>SUPERB (3U4) 12.01-03.08</b>							<b>Sedán (Executive car-E Segment)</b>		
2.0 (BWW)		Gasolina	FWD	1984	91	124	02.06-03.08	*	
2.8 V6 (BBG)		Gasolina	FWD	2771	140	190	06.02-03.08	*	
2.8 V6 (AMX)		Gasolina	FWD	2771	142	193	12.01-03.08	*	
1.9 TDI (AVF)		Diesel	FWD	1896	96	130	12.01-03.08	*	
1.9 TDI (AWX)		Diesel	FWD	1896	96	130	12.01-03.08	*	
2.0 TDI (BSS)		Diesel	FWD	1968	103	140	10.05-03.08	*	
2.5 TDI (AYM)		Diesel	FWD	2496	114	155	12.01-08.03	*	
2.5 TDI (BDG)		Diesel	FWD	2496	120	163	06.03-03.08	*	
<b>VW</b>									
<b>PASSAT B5 (3B3) 10.00-12.05</b>							<b>Sedán (Large family car-D Segment)</b>		
1.6 (ALZ)		Gasolina	FWD	1595	75	102	11.00-05.05	*	
1.8		Gasolina	FWD	1781	92	125	03.03-03.05	*	
1.8 T 20V (AWT)		Gasolina	FWD	1781	110	150	11.00-05.05	*	
1.8 T (AWM)		Gasolina	FWD	1781	125	170	02.01-11.05	*	
1.8 T 4motion (AWM)		Gasolina	4WD	1781	125	170	11.03-05.05	*	
2.0 (AZM)		Gasolina	FWD	1984	85	115	11.00-05.05	*	
2.0 4motion (AZM)		Gasolina	4WD	1984	85	115	11.00-05.05	*	
2.0 (ALT)		Gasolina	FWD	1984	96	130	11.01-05.05	*	
2.3 V5 (AZX)		Gasolina	FWD	2324	125	170	11.00-05.05	*	
2.3 V5 4motion (AZX)		Gasolina	4WD	2324	125	170	11.00-05.05	*	
2.8 (BBG)		Gasolina	FWD	2771	140	190	10.00-05.05	*	
2.8 4motion (BBG)		Gasolina	4WD	2771	140	190	10.00-05.05	*	
2.8 (AMX)		Gasolina	FWD	2771	142	193	05.02-05.03	*	
2.8 (ATQ)		Gasolina	FWD	2771	142	193	05.02-05.03	*	
2.8 4motion (AMX)		Gasolina	4WD	2771	142	193	11.00-05.05	*	
2.8 4motion (ATQ)		Gasolina	4WD	2771	142	193	11.00-05.05	*	
4.0 W8 4motion (BDN)		Gasolina	4WD	3999	202	275	09.01-09.04	*	
4.0 W8 4motion (BDP)		Gasolina	4WD	3999	202	275	09.01-09.04	*	
1.9 TDI (AVB)		Diesel	FWD	1896	74	101	11.00-05.05	*	
1.9 TDI (AVF)		Diesel	FWD	1896	96	130	11.00-05.05	*	
1.9 TDI (AWX)		Diesel	FWD	1896	96	130	11.00-05.05	*	
1.9 TDI 4motion (AVF)		Diesel	4WD	1896	96	130	11.00-05.05	*	
2.0 TDI (BGW)		Diesel	FWD	1968	100	136	12.03-05.05	*	
2.0 TDI (BHW)		Diesel	FWD	1968	100	136	12.03-05.05	*	
2.5 TDI (AKN)		Diesel	FWD	2496	110	150	11.00-05.05	*	

# LISTA DE APLICACIONES - BUYERS GUIDE

2.5 TDI 4motion (AFB)	Diesel	4WD	2496	110	150	11.00-05.05	*
2.5 TDI 4motion (AKN)	Diesel	4WD	2496	110	150	11.00-05.05	*
2.5 TDI (BDG)	Diesel	FWD	2496	120	163	05.03-05.05	*
2.5 TDI 4motion (BAU)	Diesel	4WD	2496	132	180	01.03-05.05	*
2.5 TDI 4motion (BDH)	Diesel	4WD	2496	132	180	01.03-05.05	*
<b>PASSAT B5 Variant (3B6) 09.00-08.05</b>						<b>[CAMBIADO]:Break (Large family car-D Segment)</b>	
1.6 (ALZ)	Gasolina	FWD	1595	75	102	11.00-05.05	*
1.8 T 20V (AWT)	Gasolina	FWD	1781	110	150	11.00-05.05	*
1.8 4motion (AWM)	Gasolina	4WD	1781	125	170	11.03-05.05	*
1.8 T (AWM)	Gasolina	FWD	1781	125	170	05.02-08.05	*
2.0 (AZM)	Gasolina	FWD	1984	85	115	11.00-05.05	*
2.0 4motion (AZM)	Gasolina	4WD	1984	85	115	11.00-05.05	*
2.0 (ALT)	Gasolina	FWD	1984	96	130	11.01-05.05	*
2.3 VR5 (AZX)	Gasolina	FWD	2324	125	170	11.00-05.05	*
2.3 VR5 4motion (AZX)	Gasolina	4WD	2324	125	170	11.00-05.05	*
2.8 (BBG)	Gasolina	FWD	2771	140	190	10.00-05.05	*
2.8 4motion (BBG)	Gasolina	4WD	2771	140	190	10.00-05.05	*
2.8 (ATQ)	Gasolina	FWD	2771	142	193	10.00-08.05	*
2.8 4motion (AMX)	Gasolina	4WD	2771	142	193	11.00-05.05	*
2.8 4motion (ATQ)	Gasolina	4WD	2771	142	193	11.00-05.05	*
1.9 TDI (AVB)	Diesel	FWD	1896	74	101	11.00-05.05	*
1.9 TDI (AVF)	Diesel	FWD	1896	96	130	11.00-05.05	*
1.9 TDI (AWX)	Diesel	FWD	1896	96	130	11.00-05.05	*
1.9 TDI 4motion (AVF)	Diesel	4WD	1896	96	130	11.00-05.05	*
2.0 TDI (BGW)	Diesel	FWD	1968	100	136	12.03-05.05	*
2.0 TDI (BHW)	Diesel	FWD	1968	100	136	12.03-05.05	*
2.5 TDI (AKN)	Diesel	FWD	2496	110	150	11.00-05.05	*
2.5 TDI 4motion (AKN)	Diesel	4WD	2496	110	150	11.00-05.05	*
2.5 TDI (BDG)	Diesel	FWD	2496	120	163	05.03-05.05	*
2.5 TDI 4motion (BAU)	Diesel	4WD	2496	132	180	01.03-05.05	*
2.5 TDI 4motion (BDH)	Diesel	4WD	2496	132	180	01.03-05.05	*