

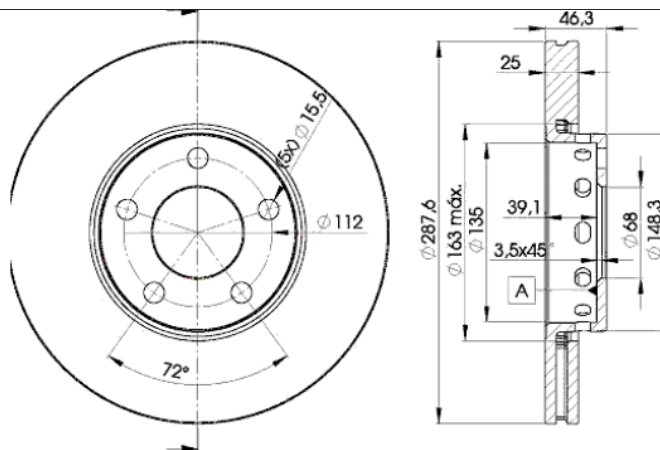
LISTA DE APLICACIONES - BUYERS GUIDE

78RBD24063



Weight: 15.344

O.E.M.	MAKE
4A0 615 301 C	VW
4A0 615 301 D	VW
4A0 615 301 E	VW
8E0 615 301 Q	VW
8E0098301	AUDI
8E0098301A	AUDI
JZW615301F	VW (SVW)
L4A0615301C	VW (SVW)



78RBD24063

E1 90R-02C0433/0007



Ø288x25x46.2

Sin Filas



Trac.	CC	Kw	CV	Front / Rear
-------	----	----	----	--------------

AUDI

100 IV C4 (4A2) 12.90-04.96

Sedán (Executive car-E Segment)

Model	Fuel	Trac.	CC	Kw	CV	Period	Notes
2.6 (ACZ)	Gasolina	FWD	2598	102	139	07.93-07.94	*
2.6 E	Gasolina	FWD	2598	102	139	08.93-07.94	*
2.6 quattro	Gasolina	4WD	2598	102	139	11.93-07.94	*
2.6 (ABC)	Gasolina	FWD	2598	110	150	03.92-07.94	*
2.6 quattro (ABC)	Gasolina	4WD	2598	110	150	04.92-07.94	*
2.8 E (AAH)	Gasolina	FWD	2771	128	174	12.90-07.94	*
2.8 E quattro (AAH)	Gasolina	4WD	2771	128	174	12.90-07.94	*

100 IV C4 Avant (4A5) 12.90-11.94

[CAMBIADO]:Break (Executive car-E Segment)

Model	Fuel	Trac.	CC	Kw	CV	Period	Notes
2.6 (ACZ)	Gasolina	FWD	2598	102	139	07.93-07.94	*
2.6 E quattro (ACZ)	Gasolina	4WD	2598	102	139	08.93-07.94	*
2.6 (ABC)	Gasolina	FWD	2598	110	150	03.92-07.94	*
2.6 quattro (ABC)	Gasolina	4WD	2598	110	150	07.92-07.94	*
2.8 E (AAH)	Gasolina	FWD	2771	128	174	09.91-07.94	*
2.8 E quattro (AAH)	Gasolina	4WD	2771	128	174	09.91-07.94	*
2.5 TDI (AAT)	Diesel	FWD	2461	85	115	12.90-07.94	*
2.5 TDI (ABP)	Diesel	FWD	2461	85	115	12.90-07.94	*

200 II C3 (447, 448) 06.83-12.91

Sedán (Executive car-E Segment)

Model	Fuel	Trac.	CC	Kw	CV	Period	Notes
2.2 Turbo (MC)	Gasolina	FWD	2226	121	165	08.85-09.91	*
2.2 Turbo quattro (MC)	Gasolina	4WD	2226	121	165	01.85-12.91	*
2.2 Turbo quattro (1B)	Gasolina	4WD	2226	147	200	02.88-11.90	*

LISTA DE APLICACIONES - BUYERS GUIDE

A4 B5 (8D2) 11.94-12.01					Sedán (Compact executive car-D Segment)			
1.8 quattro (AFY)		Gasolina	4WD	1781	85	115	07.95-11.00	*
1.8 quattro (ADR)		Gasolina	4WD	1781	92	125	01.95-11.00	*
1.8 quattro (APT)		Gasolina	4WD	1781	92	125	01.95-11.00	*
1.8 quattro (ARG)		Gasolina	4WD	1781	92	125	01.95-11.00	*
1.8 T (AEB)		Gasolina	FWD	1781	110	150	01.95-11.00	*
1.8 T (ANB)		Gasolina	FWD	1781	110	150	01.95-11.00	*
1.8 T (APU)		Gasolina	FWD	1781	110	150	01.95-11.00	*
1.8 T (ARK)		Gasolina	FWD	1781	110	150	01.95-11.00	*
1.8 T (ATW)		Gasolina	FWD	1781	110	150	01.95-11.00	*
1.8 T (AWT)		Gasolina	FWD	1781	110	150	01.95-11.00	*
1.8 T quattro (AEB)		Gasolina	4WD	1781	110	150	01.95-11.00	*
1.8 T quattro (ANB)		Gasolina	4WD	1781	110	150	01.95-11.00	*
1.8 T quattro (APU)		Gasolina	4WD	1781	110	150	01.95-11.00	*
1.8 T quattro (ARK)		Gasolina	4WD	1781	110	150	01.95-11.00	*
1.8 T quattro (ATW)		Gasolina	4WD	1781	110	150	01.95-11.00	*
1.8 T quattro (AWT)		Gasolina	4WD	1781	110	150	01.95-11.00	*
1.8 T (AJL)		Gasolina	FWD	1781	132	180	12.97-11.00	*
1.8 T quattro (AJL)		Gasolina	4WD	1781	132	180	12.97-11.00	*
2.4		Gasolina	FWD	2393	110	150	07.95-07.97	*
2.4 quattro (AJG)		Gasolina	4WD	2393	120	163	08.97-11.00	*
2.4 quattro (APZ)		Gasolina	4WD	2393	120	163	08.97-11.00	*
2.4 quattro (AGA)		Gasolina	4WD	2393	121	165	03.97-11.00	*
2.4 quattro (ALF)		Gasolina	4WD	2393	121	165	03.97-11.00	*
2.4 quattro (AML)		Gasolina	4WD	2393	121	165	03.97-11.00	*
2.4 quattro (APS)		Gasolina	4WD	2393	121	165	03.97-11.00	*
2.4 quattro (ARJ)		Gasolina	4WD	2393	121	165	03.97-11.00	*
2.6 (ACZ)		Gasolina	FWD	2598	102	139	01.96-07.97	*
2.6 (ABC)		Gasolina	FWD	2598	110	150	01.95-11.00	*
2.6 quattro (ABC)		Gasolina	4WD	2598	110	150	01.95-11.00	*
2.8 (AAH)		Gasolina	FWD	2771	128	174	09.95-07.97	*
2.8 (AFC)		Gasolina	FWD	2771	128	174	09.95-07.97	*
2.8 quattro (AAH)		Gasolina	4WD	2771	128	174	01.95-07.97	*
2.8 quattro (AFC)		Gasolina	4WD	2771	128	174	01.95-07.97	*
2.8 (ATX)		Gasolina	FWD	2771	140	190	09.99-10.00	*
2.8 quattro (ATX)		Gasolina	4WD	2771	140	190	09.99-10.00	*
2.8 (ACK)		Gasolina	FWD	2771	142	193	10.96-11.00	*
2.8 (AHA)		Gasolina	FWD	2771	142	193	10.96-11.00	*
2.8 (ALG)		Gasolina	FWD	2771	142	193	10.96-11.00	*
2.8 (AMX)		Gasolina	FWD	2771	142	193	10.96-11.00	*
2.8 (APR)		Gasolina	FWD	2771	142	193	10.96-11.00	*
2.8 (AQD)		Gasolina	FWD	2771	142	193	10.96-11.00	*
2.8 (ATQ)		Gasolina	FWD	2771	142	193	10.96-11.00	*
2.8 quattro (ACK)		Gasolina	4WD	2771	142	193	10.96-08.01	*
2.8 quattro (AHA)		Gasolina	4WD	2771	142	193	10.96-08.01	*
2.8 quattro (ALG)		Gasolina	4WD	2771	142	193	10.96-08.01	*
2.8 quattro (AMX)		Gasolina	4WD	2771	142	193	10.96-08.01	*
2.8 quattro (APR)		Gasolina	4WD	2771	142	193	10.96-08.01	*
2.8 quattro (AQD)		Gasolina	4WD	2771	142	193	10.96-08.01	*
2.8 quattro (ATQ)		Gasolina	4WD	2771	142	193	10.96-08.01	*
1.9 TDI (AFN)		Diesel	FWD	1896	81	110	10.95-11.00	*

LISTA DE APLICACIONES - BUYERS GUIDE

1.9 TDI (AVG)		Diesel	FWD	1896	81	110	10.95-11.00	*
1.9 TDI quattro (AFN)		Diesel	4WD	1896	81	110	07.96-01.00	*
1.9 TDI quattro (AVG)		Diesel	4WD	1896	81	110	07.96-01.00	*
1.9 TDI (AJM)		Diesel	FWD	1896	85	116	03.00-11.00	*
1.9 TDI quattro (AJM)		Diesel	4WD	1896	85	116	03.00-11.00	*
1.9 TDI quattro (ATJ)		Diesel	4WD	1896	85	116	03.00-11.00	*
2.5 TDI (AFB)		Diesel	FWD	2496	110	150	09.97-11.00	*
2.5 TDI (AKN)		Diesel	FWD	2496	110	150	09.97-11.00	*
2.5 TDI quattro (AFB)		Diesel	4WD	2496	110	150	09.97-11.00	*
2.5 TDI quattro (AKN)		Diesel	4WD	2496	110	150	09.97-11.00	*
A4 B5 Avant (8D5) 11.94-12.02						[CAMBIADO]:Break (Compact executive car-D Segment)		
1.8 quattro (AFY)		Gasolina	4WD	1781	85	115	07.95-09.01	*
1.8 quattro (ADR)		Gasolina	4WD	1781	92	125	01.96-09.01	*
1.8 quattro (APT)		Gasolina	4WD	1781	92	125	01.96-09.01	*
1.8 quattro (ARG)		Gasolina	4WD	1781	92	125	01.96-09.01	*
1.8 T (AEB)		Gasolina	FWD	1781	110	150	03.96-09.01	*
1.8 T (ANB)		Gasolina	FWD	1781	110	150	03.96-09.01	*
1.8 T (APU)		Gasolina	FWD	1781	110	150	03.96-09.01	*
1.8 T (ARK)		Gasolina	FWD	1781	110	150	03.96-09.01	*
1.8 T (AWT)		Gasolina	FWD	1781	110	150	03.96-09.01	*
1.8 T quattro (AEB)		Gasolina	4WD	1781	110	150	01.96-09.01	*
1.8 T quattro (ANB)		Gasolina	4WD	1781	110	150	01.96-09.01	*
1.8 T quattro (APU)		Gasolina	4WD	1781	110	150	01.96-09.01	*
1.8 T quattro (ARK)		Gasolina	4WD	1781	110	150	01.96-09.01	*
1.8 T quattro (ATW)		Gasolina	4WD	1781	110	150	01.96-09.01	*
1.8 T quattro (AWT)		Gasolina	4WD	1781	110	150	01.96-09.01	*
1.8 T (AJL)		Gasolina	FWD	1781	132	180	12.97-09.01	*
1.8 T quattro (AJL)		Gasolina	4WD	1781	132	180	12.97-09.01	*
2.4		Gasolina	FWD	2393	110	150	07.95-07.97	*
2.4 (AJG)		Gasolina	FWD	2393	120	163	08.97-09.01	*
2.4 (AMM)		Gasolina	FWD	2393	120	163	08.97-09.01	*
2.4 (APZ)		Gasolina	FWD	2393	120	163	08.97-09.01	*
2.4 quattro (AJG)		Gasolina	4WD	2393	120	163	08.97-09.01	*
2.4 quattro (APZ)		Gasolina	4WD	2393	120	163	08.97-09.01	*
2.4 (AGA)		Gasolina	FWD	2393	121	165	03.97-09.01	*
2.4 (ALF)		Gasolina	FWD	2393	121	165	03.97-09.01	*
2.4 (AML)		Gasolina	FWD	2393	121	165	03.97-09.01	*
2.4 (APS)		Gasolina	FWD	2393	121	165	03.97-09.01	*
2.4 (ARJ)		Gasolina	FWD	2393	121	165	03.97-09.01	*
2.4 quattro (AGA)		Gasolina	4WD	2393	121	165	03.97-09.01	*
2.4 quattro (ALF)		Gasolina	4WD	2393	121	165	03.97-09.01	*
2.4 quattro (AML)		Gasolina	4WD	2393	121	165	03.97-09.01	*
2.4 quattro (APS)		Gasolina	4WD	2393	121	165	03.97-09.01	*
2.4 quattro (ARJ)		Gasolina	4WD	2393	121	165	03.97-09.01	*
2.6 (ABC)		Gasolina	FWD	2598	110	150	02.96-09.01	*
2.6 quattro (ABC)		Gasolina	4WD	2598	110	150	01.96-09.01	*
2.8 (AAH)		Gasolina	FWD	2771	128	174	03.96-09.96	*
2.8 quattro (AAH)		Gasolina	4WD	2771	128	174	01.96-09.96	*
2.8 (ACK)		Gasolina	FWD	2771	142	193	10.96-09.01	*
2.8 (AHA)		Gasolina	FWD	2771	142	193	10.96-09.01	*
2.8 (ALG)		Gasolina	FWD	2771	142	193	10.96-09.01	*

LISTA DE APLICACIONES - BUYERS GUIDE

2.8 (APR)		Gasolina	FWD	2771	142	193	10.96-09.01	*
2.8 (AQD)		Gasolina	FWD	2771	142	193	10.96-09.01	*
2.8 quattro (ACK)		Gasolina	4WD	2771	142	193	10.96-09.01	*
2.8 quattro (AHA)		Gasolina	4WD	2771	142	193	10.96-09.01	*
2.8 quattro (ALG)		Gasolina	4WD	2771	142	193	10.96-09.01	*
2.8 quattro (AMX)		Gasolina	4WD	2771	142	193	10.96-09.01	*
2.8 quattro (APR)		Gasolina	4WD	2771	142	193	10.96-09.01	*
2.8 quattro (AQD)		Gasolina	4WD	2771	142	193	10.96-09.01	*
2.8 quattro (ATQ)		Gasolina	4WD	2771	142	193	10.96-09.01	*
1.9 Hybrid (AHU)		Diesel/el éc.	FWD	1896	66	90	03.98-06.00	*
1.9 TDI (AFN)		Diesel	FWD	1896	81	110	02.96-09.01	*
1.9 TDI (AVG)		Diesel	FWD	1896	81	110	02.96-09.01	*
1.9 TDI quattro (AFN)		Diesel	4WD	1896	81	110	09.96-09.01	*
1.9 TDI quattro (AVG)		Diesel	4WD	1896	81	110	09.96-09.01	*
1.9 TDI (AJM)		Diesel	FWD	1896	85	115	03.00-09.01	*
1.9 TDI (ATJ)		Diesel	FWD	1896	85	115	03.00-09.01	*
1.9 TDI quattro (ATJ)		Diesel	4WD	1896	85	115	03.00-09.01	*
2.5 TDI (AFB)		Diesel	FWD	2496	110	150	09.97-09.01	*
2.5 TDI (AKN)		Diesel	FWD	2496	110	150	09.97-09.01	*
2.5 TDI quattro (AFB)		Diesel	4WD	2496	110	150	09.97-09.01	*
2.5 TDI quattro (AKN)		Diesel	4WD	2496	110	150	09.97-09.01	*
A4 II B6 (8H7) 01.02-12.09							Cabrio (Compact executive car-D Segment)	
1.8 T (BFB)		Gasolina	FWD	1781	120	163	07.02-12.05	*
1.8 T (AMB)		Gasolina	FWD	1781	125	170	10.02-10.05	*
2.0 (ALT)		Gasolina	FWD	1984	96	130	09.04-12.05	*
2.4 (AMM)		Gasolina	FWD	2393	120	163	04.02-12.05	*
2.4 (BDV)		Gasolina	FWD	2393	125	170	04.02-12.05	*
3.0 quattro (ASN)		Gasolina	4WD	2976	162	220	05.03-12.05	*
3.0 quattro (AVK)		Gasolina	4WD	2976	162	220	05.03-12.05	*
3.0 quattro (BGN)		Gasolina	4WD	2976	162	220	05.03-12.05	*
A4 II B6 (8E2) 11.00-12.05							Sedán (Compact executive car-D Segment)	
1.8 T (AVJ)		Gasolina	FWD	1781	110	150	11.00-07.02	*
1.8 T (BFB)		Gasolina	FWD	1781	120	163	07.02-12.04	*
1.8 T (AMB)		Gasolina	FWD	1781	125	170	07.01-12.04	*
2.0 (ALT)		Gasolina	FWD	1984	96	130	11.00-12.04	*
2.0 FSI (AWA)		Gasolina	FWD	1984	110	150	07.02-12.04	*
2.4 (AMM)		Gasolina	FWD	2393	120	163	09.01-12.04	*
2.4 (BDV)		Gasolina	FWD	2393	125	170	09.01-12.04	*
1.9 TDI (AVB)		Diesel	FWD	1896	74	101	05.01-12.04	*
1.9 TDI (BKE)		Diesel	FWD	1896	85	116	06.04-12.04	*
1.9 TDI (AVF)		Diesel	FWD	1896	96	130	11.00-12.04	*
1.9 TDI (AWX)		Diesel	FWD	1896	96	130	11.00-12.04	*
1.9 TDI quattro (AVF)		Diesel	4WD	1896	96	130	11.01-12.04	*
2.5 TDI (AYM)		Diesel	FWD	2496	114	155	08.01-07.02	*
2.5 TDI (BCZ)		Diesel	FWD	2496	120	163	07.02-12.04	*
2.5 TDI (BDG)		Diesel	FWD	2496	120	163	07.02-12.04	*
2.5 TDI (BFC)		Diesel	FWD	2496	120	163	07.02-12.04	*
2.5 D		Diesel	RWD	2496	132	179	10.00-05.03	*
2.5 TDI quattro (AKE)		Diesel	4WD	2496	132	180	11.00-12.04	*
2.5 TDI quattro (BAU)		Diesel	4WD	2496	132	180	11.00-12.04	*

LISTA DE APLICACIONES - BUYERS GUIDE

2.5 TDI quattro (BDH)	Diesel	4WD	2496	132	180	11.00-12.04	*
A4 II B6 Avant (8E5) 02.00-12.05				[CAMBIADO]:Break (Compact executive car-D Segment)			
1.8 T (AVJ)	Gasolina	FWD	1781	110	150	09.01-07.02	*
1.8 T quattro (AVJ)	Gasolina	4WD	1781	110	150	09.01-07.02	*
1.8 T (BFB)	Gasolina	FWD	1781	120	163	07.02-12.04	*
1.8 T quattro (BFB)	Gasolina	4WD	1781	120	163	07.02-12.04	*
1.8 T quattro (AMB)	Gasolina	4WD	1781	125	170	09.01-12.04	*
2.4 (AMM)	Gasolina	FWD	2393	120	163	09.01-12.04	*
2.4 (BDV)	Gasolina	FWD	2393	125	170	09.01-12.04	*
1.9 TDI quattro (AVF)	Diesel	4WD	1896	96	130	11.01-12.04	*
2.5 TDI (AYM)	Diesel	FWD	2496	114	155	09.01-07.02	*
2.5 TDI (BCZ)	Diesel	FWD	2496	120	163	07.02-12.04	*
2.5 TDI (BDG)	Diesel	FWD	2496	120	163	07.02-12.04	*
2.5 TDI (BFC)	Diesel	FWD	2496	120	163	07.02-12.04	*
2.5 TDI	Diesel	RWD	2496	132	179	04.01-05.03	*
2.5 TDI quattro (AKE)	Diesel	4WD	2496	132	180	09.01-12.04	*
2.5 TDI quattro (BAU)	Diesel	4WD	2496	132	180	09.01-12.04	*
2.5 TDI quattro (BDH)	Diesel	4WD	2496	132	180	09.01-12.04	*
A4 III B7 Avant (8ED) 11.04-11.08				[CAMBIADO]:Break (Compact executive car-D Segment)			
1.8 T (BFB)	Gasolina	FWD	1781	120	163	11.04-06.08	*
1.8 T quattro (BFB)	Gasolina	4WD	1781	120	163	11.04-06.08	*
2.0 (ALT)	Gasolina	FWD	1984	96	130	11.04-06.08	*
3.0 (BBJ)	Gasolina	FWD	2976	160	218	11.04-05.06	*
1.9 TDI (BKE)	Diesel	FWD	1896	85	116	11.04-06.08	*
1.9 TDI (BRB)	Diesel	FWD	1896	85	116	11.04-06.08	*
2.0 TDI (BVG)	Diesel	FWD	1968	89	121	09.05-09.06	*
2.0 TDI (BVF)	Diesel	FWD	1968	93	126	11.05-11.06	*
2.0 TDI (BNA)	Diesel	FWD	1968	100	136	11.04-06.08	*
2.0 TDI (BRF)	Diesel	FWD	1968	100	136	11.04-06.08	*
2.0 TDI (BPW)	Diesel	FWD	1968	103	140	11.04-06.08	*
2.0 TDI 16V (BLB)	Diesel	FWD	1968	103	140	11.04-06.08	*
2.0 TDI 16V (BRE)	Diesel	FWD	1968	103	140	11.04-06.08	*
2.0 TDI quattro (BPW)	Diesel	4WD	1968	103	140	01.06-06.08	*
2.5 TDI (BDG)	Diesel	FWD	2496	120	163	11.04-05.06	*
2.7 TDI (BPP)	Diesel	FWD	2698	132	180	01.06-06.08	*
3.0 TDI quattro (ASB)	Diesel	4WD	2967	171	233	01.06-06.08	*
A4 III B7 (8HE) 01.02-01.10				Cabrío (Compact executive car-D Segment)			
2.0 TFSI 16V (BWE)	Gasolina	FWD	1984	147	200	01.06-03.09	*
2.0 TFSI 16V (BWT)	Gasolina	FWD	1984	147	200	01.06-03.09	*
2.0 TDI (BRC)	Diesel	FWD	1968	100	136	01.06-03.09	*
2.0 TDI (BPW)	Diesel	FWD	1968	103	140	01.06-03.09	*
2.7 TDI (BPP)	Diesel	FWD	2698	132	180	06.06-03.09	*
A4 III B7 (8EC) 11.04-01.09				Sedán (Compact executive car-D Segment)			
1.8 T quattro (BFB)	Gasolina	4WD	1781	120	163	11.04-06.08	*
2.0 (ALT)	Gasolina	FWD	1984	96	130	11.04-06.08	*
2.0 TDI (BVG)	Diesel	FWD	1968	89	121	09.05-09.06	*
2.0 TDI (BVF)	Diesel	FWD	1968	93	126	11.05-11.06	*
2.0 TDI (BNA)	Diesel	FWD	1968	100	136	11.04-06.08	*
2.0 TDI (BRF)	Diesel	FWD	1968	100	136	11.04-06.08	*

LISTA DE APLICACIONES - BUYERS GUIDE

2.0 TDI (BPW)		Diesel	FWD	1968	103	140	11.04-06.08	*
2.0 TDI 16V (BLB)		Diesel	FWD	1968	103	140	11.04-06.08	*
2.0 TDI 16V (BRE)		Diesel	FWD	1968	103	140	11.04-06.08	*
2.0 TDI quattro (BPW)		Diesel	4WD	1968	103	140	01.06-06.08	*
2.7 TDI (BPP)		Diesel	FWD	2698	132	180	01.06-06.08	*
3.0 TDI quattro (ASB)		Diesel	4WD	2967	171	233	01.06-06.08	*
A6 C4 Avant (4A5) 06.94-01.98				[CAMBIADO]:Break (Executive car-E Segment)				
2.3 quattro (AAR)		Gasolina	4WD	2309	98	133	06.94-12.95	*
2.4		Gasolina	FWD	2393	110	150	07.96-12.97	*
2.6 (ACZ)		Gasolina	FWD	2598	102	139	06.94-02.97	*
2.6 (ABC)		Gasolina	FWD	2598	110	150	06.94-12.97	*
2.6 quattro (ABC)		Gasolina	4WD	2598	110	150	06.94-12.97	*
2.8 (AEJ)		Gasolina	FWD	2771	120	163	06.94-07.95	*
2.8 (AAH)		Gasolina	FWD	2771	128	174	06.94-12.97	*
2.8 (AFC)		Gasolina	FWD	2771	128	174	06.94-12.97	*
2.8 quattro (AAH)		Gasolina	4WD	2771	128	174	06.94-12.97	*
2.8 quattro (AFC)		Gasolina	4WD	2771	128	174	06.94-12.97	*
2.8 (ACK)		Gasolina	FWD	2771	142	193	12.95-12.97	*
2.8 quattro (ACK)		Gasolina	4WD	2771	142	193	12.95-12.97	*
2.5 TDI (AEL)		Diesel	FWD	2461	103	140	08.94-12.97	*
2.5 TDI quattro (AEL)		Diesel	4WD	2461	103	140	07.95-12.97	*
A6 II C5 Avant (4B5, 4B6) 11.97-01.06				[CAMBIADO]:Break (Executive car-E Segment)				
1.8 (AFY)		Gasolina	FWD	1781	85	116	02.98-01.05	*
1.8 (AJP)		Gasolina	FWD	1781	92	125	12.97-01.05	*
1.8 (AQE)		Gasolina	FWD	1781	92	125	12.97-01.05	*
1.8 (ARH)		Gasolina	FWD	1781	92	125	12.97-01.05	*
1.8 T (AEB)		Gasolina	FWD	1781	110	150	12.97-01.05	*
1.8 T (ANB)		Gasolina	FWD	1781	110	150	12.97-01.05	*
1.8 T (APU)		Gasolina	FWD	1781	110	150	12.97-01.05	*
1.8 T (ARK)		Gasolina	FWD	1781	110	150	12.97-01.05	*
1.8 T (AWT)		Gasolina	FWD	1781	110	150	12.97-01.05	*
1.8 T quattro (AEB)		Gasolina	4WD	1781	110	150	12.97-01.05	*
1.8 T quattro (ANB)		Gasolina	4WD	1781	110	150	12.97-01.05	*
1.8 T quattro (APU)		Gasolina	4WD	1781	110	150	12.97-01.05	*
1.8 T quattro (ARK)		Gasolina	4WD	1781	110	150	12.97-01.05	*
1.8 T quattro (AWT)		Gasolina	4WD	1781	110	150	12.97-01.05	*
1.8 T (AJL)		Gasolina	FWD	1781	132	180	04.99-01.05	*
1.8 T quattro (AJL)		Gasolina	4WD	1781	132	180	12.97-01.05	*
2.0 (ALT)		Gasolina	FWD	1984	96	130	08.01-01.05	*
2.4 (ALW)		Gasolina	FWD	2393	100	136	07.98-01.05	*
2.4 (ARN)		Gasolina	FWD	2393	100	136	07.98-01.05	*
2.4 (ASM)		Gasolina	FWD	2393	100	136	07.98-01.05	*
2.4 (APC)		Gasolina	FWD	2393	115	156	12.97-01.05	*
2.4 quattro (APC)		Gasolina	4WD	2393	115	156	08.98-05.01	*
2.4 (AJG)		Gasolina	FWD	2393	120	163	12.97-01.05	*
2.4 (AMM)		Gasolina	FWD	2393	120	163	12.97-01.05	*
2.4 (APZ)		Gasolina	FWD	2393	120	163	12.97-01.05	*
2.4 quattro (AJG)		Gasolina	4WD	2393	120	163	12.97-01.05	*
2.4 quattro (APZ)		Gasolina	4WD	2393	120	163	12.97-01.05	*
2.4 (AGA)		Gasolina	FWD	2393	121	165	12.97-01.05	*

LISTA DE APLICACIONES - BUYERS GUIDE

2.4 (ALF)		Gasolina	FWD	2393	121	165	12.97-01.05	*
2.4 (AML)		Gasolina	FWD	2393	121	165	12.97-01.05	*
2.4 (APS)		Gasolina	FWD	2393	121	165	12.97-01.05	*
2.4 (ARJ)		Gasolina	FWD	2393	121	165	12.97-01.05	*
2.4 quattro (AGA)		Gasolina	4WD	2393	121	165	12.97-01.05	*
2.4 quattro (ALF)		Gasolina	4WD	2393	121	165	12.97-01.05	*
2.4 quattro (AML)		Gasolina	4WD	2393	121	165	12.97-01.05	*
2.4 quattro (APS)		Gasolina	4WD	2393	121	165	12.97-01.05	*
2.4 quattro (ARJ)		Gasolina	4WD	2393	121	165	12.97-01.05	*
2.4 (BDV)		Gasolina	FWD	2393	125	170	08.01-01.05	*
2.4 quattro (BDV)		Gasolina	4WD	2393	125	170	08.01-01.05	*
2.8 (AGE)		Gasolina	FWD	2771	132	180	12.97-05.00	*
2.8 (ATX)		Gasolina	FWD	2771	140	190	07.99-01.05	*
2.8 (ACK)		Gasolina	FWD	2771	142	193	12.97-01.05	*
2.8 (ALG)		Gasolina	FWD	2771	142	193	12.97-01.05	*
2.8 (AMX)		Gasolina	FWD	2771	142	193	12.97-01.05	*
2.8 (APR)		Gasolina	FWD	2771	142	193	12.97-01.05	*
2.8 (AQD)		Gasolina	FWD	2771	142	193	12.97-01.05	*
2.8 quattro (ACK)		Gasolina	4WD	2771	142	193	12.97-01.05	*
2.8 quattro (ALG)		Gasolina	4WD	2771	142	193	12.97-01.05	*
2.8 quattro (AMX)		Gasolina	4WD	2771	142	193	12.97-01.05	*
2.8 quattro (APR)		Gasolina	4WD	2771	142	193	12.97-01.05	*
2.8 quattro (AQD)		Gasolina	4WD	2771	142	193	12.97-01.05	*
2.8 quattro (ATQ)		Gasolina	4WD	2771	142	193	12.97-01.05	*
1.9 TDI (AFN)		Diesel	FWD	1896	81	110	02.98-04.01	*
1.9 TDI (AVG)		Diesel	FWD	1896	81	110	02.98-04.01	*
1.9 TDI (AJM)		Diesel	FWD	1896	85	115	07.00-01.05	*
1.9 TDI (AVF)		Diesel	FWD	1896	96	130	08.01-01.05	*
1.9 TDI (AWX)		Diesel	FWD	1896	96	130	08.01-01.05	*
2.5 TDI (AFB)		Diesel	FWD	2496	110	150	12.97-01.05	*
2.5 TDI (AKN)		Diesel	FWD	2496	110	150	12.97-01.05	*
2.5 TDI quattro (AFB)		Diesel	4WD	2496	110	150	12.97-01.05	*
2.5 TDI quattro (AKN)		Diesel	4WD	2496	110	150	12.97-01.05	*
2.5 TDI (AYM)		Diesel	FWD	2496	114	155	08.01-01.05	*
2.5 TDI (BCZ)		Diesel	FWD	2496	120	163	07.02-01.05	*
2.5 TDI (BDG)		Diesel	FWD	2496	120	163	07.02-01.05	*
2.5 TDI (BFC)		Diesel	FWD	2496	120	163	07.02-01.05	*
2.5 TDI (AKE)		Diesel	FWD	2496	132	180	02.00-01.05	*
2.5 TDI (BAU)		Diesel	FWD	2496	132	180	02.00-01.05	*
2.5 TDI (BDH)		Diesel	FWD	2496	132	180	02.00-01.05	*
2.5 TDI quattro (AKE)		Diesel	4WD	2496	132	180	02.00-01.05	*
2.5 TDI quattro (BAU)		Diesel	4WD	2496	132	180	02.00-01.05	*
2.5 TDI quattro (BDH)		Diesel	4WD	2496	132	180	02.00-01.05	*
A6 II C5 (4B2, 4B4) 01.97-12.05				Sedán (Executive car-E Segment)				
1.8 (AFY)		Gasolina	FWD	1781	85	116	05.97-01.05	*
1.8 (AJP)		Gasolina	FWD	1781	92	125	07.97-01.05	*
1.8 (AQE)		Gasolina	FWD	1781	92	125	07.97-01.05	*
1.8 (ARH)		Gasolina	FWD	1781	92	125	07.97-01.05	*
1.8 T (AEB)		Gasolina	FWD	1781	110	150	01.97-01.05	*
1.8 T (ANB)		Gasolina	FWD	1781	110	150	01.97-01.05	*
1.8 T (APU)		Gasolina	FWD	1781	110	150	01.97-01.05	*

LISTA DE APLICACIONES - BUYERS GUIDE

1.8 T (ARK)	Gasolina	FWD	1781	110	150	01.97-01.05	*
1.8 T (AWT)	Gasolina	FWD	1781	110	150	01.97-01.05	*
1.8 T quattro (AEB)	Gasolina	4WD	1781	110	150	02.97-01.05	*
1.8 T quattro (ANB)	Gasolina	4WD	1781	110	150	02.97-01.05	*
1.8 T quattro (APU)	Gasolina	4WD	1781	110	150	02.97-01.05	*
1.8 T quattro (ARK)	Gasolina	4WD	1781	110	150	02.97-01.05	*
1.8 T quattro (AWT)	Gasolina	4WD	1781	110	150	02.97-01.05	*
1.8 T (AJL)	Gasolina	FWD	1781	132	180	12.97-01.05	*
1.8 T quattro (AJL)	Gasolina	4WD	1781	132	180	12.97-01.05	*
2.0 (ALT)	Gasolina	FWD	1984	96	130	08.01-01.05	*
2.4 (ALW)	Gasolina	FWD	2393	100	136	07.98-01.05	*
2.4 (ARN)	Gasolina	FWD	2393	100	136	07.98-01.05	*
2.4 (ASM)	Gasolina	FWD	2393	100	136	07.98-01.05	*
2.4 (APC)	Gasolina	FWD	2393	115	156	02.97-01.05	*
2.4 quattro (APC)	Gasolina	4WD	2393	115	156	08.98-07.99	*
2.4 (AJG)	Gasolina	FWD	2393	120	163	02.97-01.05	*
2.4 (AMM)	Gasolina	FWD	2393	120	163	02.97-01.05	*
2.4 (APZ)	Gasolina	FWD	2393	120	163	02.97-01.05	*
2.4 quattro (AJG)	Gasolina	4WD	2393	120	163	02.97-01.05	*
2.4 quattro (APZ)	Gasolina	4WD	2393	120	163	02.97-01.05	*
2.4 (AGA)	Gasolina	FWD	2393	121	165	02.97-01.05	*
2.4 (ALF)	Gasolina	FWD	2393	121	165	02.97-01.05	*
2.4 (AML)	Gasolina	FWD	2393	121	165	02.97-01.05	*
2.4 (APS)	Gasolina	FWD	2393	121	165	02.97-01.05	*
2.4 (ARJ)	Gasolina	FWD	2393	121	165	02.97-01.05	*
2.4 quattro (AGA)	Gasolina	4WD	2393	121	165	02.97-01.05	*
2.4 quattro (ALF)	Gasolina	4WD	2393	121	165	02.97-01.05	*
2.4 quattro (AML)	Gasolina	4WD	2393	121	165	02.97-01.05	*
2.4 quattro (APS)	Gasolina	4WD	2393	121	165	02.97-01.05	*
2.4 quattro (ARJ)	Gasolina	4WD	2393	121	165	02.97-01.05	*
2.4 (BDV)	Gasolina	FWD	2393	125	170	08.01-01.05	*
2.4 quattro (BDV)	Gasolina	4WD	2393	125	170	08.01-01.05	*
2.8 (AGE)	Gasolina	FWD	2771	132	180	10.97-05.00	*
2.8 quattro (AGE)	Gasolina	4WD	2771	132	180	01.98-04.00	*
2.8 (ATX)	Gasolina	FWD	2771	140	190	07.99-01.05	*
2.8 quattro (ATX)	Gasolina	4WD	2771	140	190	07.99-05.01	*
2.8 (ACK)	Gasolina	FWD	2771	142	193	02.97-01.05	*
2.8 (ALG)	Gasolina	FWD	2771	142	193	02.97-01.05	*
2.8 (AMX)	Gasolina	FWD	2771	142	193	02.97-01.05	*
2.8 (APR)	Gasolina	FWD	2771	142	193	02.97-01.05	*
2.8 (AQD)	Gasolina	FWD	2771	142	193	02.97-01.05	*
2.8 (ATQ)	Gasolina	FWD	2771	142	193	02.97-01.05	*
2.8 24V	Gasolina	FWD	2771	142	193	05.97-07.99	*
2.8 quattro (ACK)	Gasolina	4WD	2771	142	193	02.97-01.05	*
2.8 quattro (ALG)	Gasolina	4WD	2771	142	193	02.97-01.05	*
2.8 quattro (AMX)	Gasolina	4WD	2771	142	193	02.97-01.05	*
2.8 quattro (APR)	Gasolina	4WD	2771	142	193	02.97-01.05	*
2.8 quattro (AQD)	Gasolina	4WD	2771	142	193	02.97-01.05	*
2.8 quattro (ATQ)	Gasolina	4WD	2771	142	193	02.97-01.05	*
1.9 TDI (AFN)	Diesel	FWD	1896	81	110	04.97-10.00	*
1.9 TDI (AVG)	Diesel	FWD	1896	81	110	04.97-10.00	*

LISTA DE APLICACIONES - BUYERS GUIDE

1.9 TDI (AJM)		Diesel	FWD	1896	85	115	07.00-01.05	*
1.9 TDI (AVF)		Diesel	FWD	1896	96	130	08.01-01.05	*
1.9 TDI (AWX)		Diesel	FWD	1896	96	130	08.01-01.05	*
2.5 TDI (AFB)		Diesel	FWD	2496	110	150	07.97-01.05	*
2.5 TDI (AKN)		Diesel	FWD	2496	110	150	07.97-01.05	*
2.5 TDI quattro (AFB)		Diesel	4WD	2496	110	150	07.97-01.05	*
2.5 TDI quattro (AKN)		Diesel	4WD	2496	110	150	07.97-01.05	*
2.5 TDI (AYM)		Diesel	FWD	2496	114	155	08.01-01.05	*
2.5 TDI (BCZ)		Diesel	FWD	2496	120	163	07.02-01.05	*
2.5 TDI (BDG)		Diesel	FWD	2496	120	163	07.02-01.05	*
2.5 TDI (BFC)		Diesel	FWD	2496	120	163	07.02-01.05	*
2.5 TDI (AKE)		Diesel	FWD	2496	132	180	02.00-01.05	*
2.5 TDI (BAU)		Diesel	FWD	2496	132	180	02.00-01.05	*
2.5 TDI (BDH)		Diesel	FWD	2496	132	180	02.00-01.05	*
A6 C4 (4A2) 06.94-01.98					Sedán (Executive car-E Segment)			
2.4 (AFM)		Gasolina	FWD	2393	110	150	07.95-06.96	*
2.6 (ACZ)		Gasolina	FWD	2598	102	139	06.94-10.97	*
2.6 (ABC)		Gasolina	FWD	2598	110	150	06.94-10.97	*
2.6 quattro (ABC)		Gasolina	4WD	2598	110	150	06.94-10.97	*
2.8 (AEJ)		Gasolina	FWD	2771	120	163	08.95-07.96	*
2.8 (AAH)		Gasolina	FWD	2771	128	174	06.94-10.97	*
2.8 (AFC)		Gasolina	FWD	2771	128	174	06.94-10.97	*
2.8 quattro (AAH)		Gasolina	4WD	2771	128	174	06.94-10.97	*
2.8 quattro (AFC)		Gasolina	4WD	2771	128	174	06.94-10.97	*
2.8 (ACK)		Gasolina	FWD	2771	142	193	12.95-10.97	*
2.8 quattro (ACK)		Gasolina	4WD	2771	142	193	12.95-10.97	*
1.9 TDI (1Z)		Diesel	FWD	1896	66	90	06.94-10.97	*
1.9 TDI (AHU)		Diesel	FWD	1896	66	90	06.94-10.97	*
2.5 TDI		Diesel	FWD	2461	84	114	01.95-10.97	*
2.5 TDI (AAT)		Diesel	FWD	2461	85	116	06.94-10.97	*
2.5 TDI (AEL)		Diesel	FWD	2461	103	140	08.94-10.97	*
2.5 TDI quattro (AEL)		Diesel	4WD	2461	103	140	10.95-10.97	*
AUDI (FAW)								
A6 C5 (4Y8) 09.99-12.06					Sedán (Executive car-E Segment)			
1.8		Gasolina	FWD	1781	92	125	01.00-12.05	*
SEAT								
EXEO (3R2) 12.08-					Sedán (Compact executive car-D Segment)			
1.6 (ALZ)		Gasolina	FWD	1595	75	102	03.09-09.10	*
1.8 TSI (CDHA)		Gasolina	FWD	1798	88	120	09.10-05.13	*
2.0 TFSI (BWE)		Gasolina	FWD	1984	147	200	03.09-05.13	*
2.0 TDI (CAGC)		Diesel	FWD	1968	88	120	12.08-05.13	*
2.0 TDI (CJCC)		Diesel	FWD	1968	88	120	12.08-05.13	*
2.0 TDI (CAGA)		Diesel	FWD	1968	105	143	12.08-05.13	*
2.0 TDI (CJCA)		Diesel	FWD	1968	105	143	12.08-05.13	*
2.0 TDI (CAHA)		Diesel	FWD	1968	125	170	02.09-05.13	*
2.0 TDI (CGLB)		Diesel	FWD	1968	125	170	02.09-05.13	*
EXEO Station Wagon (3R5) 05.09-					[CAMBIADO]:Break (Compact executive car-D Segment)			
1.6 (ALZ)		Gasolina	FWD	1595	75	102	06.09-09.10	*
1.8 TSI (CDHA)		Gasolina	FWD	1798	88	120	09.10-05.13	*

LISTA DE APLICACIONES - BUYERS GUIDE

2.0 TDI (CAGC)		Diesel	FWD	1968	88	120	07.09-05.13	*
2.0 TDI (CJCC)		Diesel	FWD	1968	88	120	07.09-05.13	*
2.0 TDI (CAGA)		Diesel	FWD	1968	105	143	05.09-05.13	*
2.0 TDI (CJCA)		Diesel	FWD	1968	105	143	05.09-05.13	*

SKODA

SUPERB (3U4) 12.01-03.08				Sedán (Executive car-E Segment)				
1.8 T (AWT)		Gasolina	FWD	1781	110	150	12.01-03.08	*
2.0 (AZM)		Gasolina	FWD	1984	85	115	12.01-03.08	*
1.9 TDI (AVB)		Diesel	FWD	1896	74	101	08.02-10.05	*
1.9 TDI (BSV)		Diesel	FWD	1896	77	105	10.05-05.07	*
1.9 TDI (BPZ)		Diesel	FWD	1896	85	115	01.07-03.08	*

VW

PASSAT B5 (3B2) 08.96-12.01				Sedán (Large family car-D Segment)				
1.6 (ALZ)		Gasolina	FWD	1595	75	102	11.00-05.05	*
1.8		Gasolina	FWD	1781	92	125	03.03-03.05	*
1.8 T (AEB)		Gasolina	FWD	1781	110	150	10.96-11.00	*
1.8 T (ANB)		Gasolina	FWD	1781	110	150	10.96-11.00	*
1.8 T (APU)		Gasolina	FWD	1781	110	150	10.96-11.00	*
1.8 T (ATW)		Gasolina	FWD	1781	110	150	10.96-11.00	*
1.8 T (AUG)		Gasolina	FWD	1781	110	150	10.96-11.00	*
1.8 T 20V (AWT)		Gasolina	FWD	1781	110	150	11.00-05.05	*
1.8 T (AWM)		Gasolina	FWD	1781	125	170	02.01-11.05	*
2.0 (AZM)		Gasolina	FWD	1984	85	115	11.00-05.05	*
2.0 4motion (AZM)		Gasolina	4WD	1984	85	115	11.00-05.05	*
2.0 (ASU)		Gasolina	FWD	1984	88	120	04.00-11.00	*
2.0 (AUZ)		Gasolina	FWD	1984	88	120	04.00-11.00	*
2.0 4motion (ASU)		Gasolina	4WD	1984	88	120	04.00-11.00	*
2.0 (ALT)		Gasolina	FWD	1984	96	130	11.01-05.05	*
2.3 VR5 (AGZ)		Gasolina	FWD	2324	110	150	10.96-11.00	*
2.8 Syncro (AGE)		Gasolina	4WD	2771	132	180	05.97-09.99	*
2.8 V6 (AGE)		Gasolina	FWD	2771	132	180	05.97-09.99	*
2.8 V6 (ATX)		Gasolina	FWD	2771	140	190	09.99-11.00	*
2.8 V6 (BBG)		Gasolina	FWD	2771	140	190	09.99-11.00	*
2.8 V6 4motion (ATX)		Gasolina	4WD	2771	140	190	09.99-11.00	*
2.8 V6 (ACK)		Gasolina	FWD	2771	142	193	08.96-11.00	*
2.8 V6 (AHA)		Gasolina	FWD	2771	142	193	08.96-11.00	*
2.8 V6 (APR)		Gasolina	FWD	2771	142	193	08.96-11.00	*
2.8 V6 (AQD)		Gasolina	FWD	2771	142	193	08.96-11.00	*
2.8 V6 Syncro/4motion (ACK)		Gasolina	4WD	2771	142	193	10.96-11.00	*
2.8 V6 Syncro/4motion (AHA)		Gasolina	4WD	2771	142	193	10.96-11.00	*
2.8 V6 Syncro/4motion (ALG)		Gasolina	4WD	2771	142	193	10.96-11.00	*
2.8 V6 Syncro/4motion (APR)		Gasolina	4WD	2771	142	193	10.96-11.00	*
2.8 V6 Syncro/4motion (AQD)		Gasolina	4WD	2771	142	193	10.96-11.00	*
1.9 TDI (AVB)		Diesel	FWD	1896	74	101	02.00-11.00	*
1.9 TDI (AVB)		Diesel	FWD	1896	74	101	11.00-05.05	*
1.9 TDI (AFN)		Diesel	FWD	1896	81	110	10.96-11.00	*
1.9 TDI (AVG)		Diesel	FWD	1896	81	110	10.96-11.00	*
1.9 TDI Syncro/4motion (AFN)		Diesel	4WD	1896	81	110	06.97-08.00	*
1.9 TDI Syncro/4motion (AVG)		Diesel	4WD	1896	81	110	06.97-08.00	*
1.9 TDI (AJM)		Diesel	FWD	1896	85	115	08.98-11.00	*

LISTA DE APLICACIONES - BUYERS GUIDE

1.9 TDI (ATJ)		Diesel	FWD	1896	85	115	08.98-11.00	*
1.9 TDI 4motion (ATJ)		Diesel	4WD	1896	85	115	08.99-11.00	*
1.9 TDI (AVF)		Diesel	FWD	1896	96	130	11.00-05.05	*
1.9 TDI (AWX)		Diesel	FWD	1896	96	130	11.00-05.05	*
1.9 TDI 4motion (AVF)		Diesel	4WD	1896	96	130	11.00-05.05	*
2.0 TDI (BGW)		Diesel	FWD	1968	100	136	12.03-05.05	*
2.0 TDI (BHW)		Diesel	FWD	1968	100	136	12.03-05.05	*
2.5 TDI (AFB)		Diesel	FWD	2496	110	150	07.98-11.00	*
2.5 TDI (AKN)		Diesel	FWD	2496	110	150	07.98-11.00	*
2.5 TDI Syncro/4motion (AFB)		Diesel	4WD	2496	110	150	12.98-11.00	*
2.5 TDI Syncro/4motion (AKN)		Diesel	4WD	2496	110	150	12.98-11.00	*
PASSAT B5 Variant (3B5) 05.97-12.01							[CAMBIADO]:Break (Large family car-D Segment)	
1.6 (ALZ)		Gasolina	FWD	1595	75	102	11.00-05.05	*
1.8 T (AEB)		Gasolina	FWD	1781	110	150	05.97-11.00	*
1.8 T (ANB)		Gasolina	FWD	1781	110	150	05.97-11.00	*
1.8 T (APU)		Gasolina	FWD	1781	110	150	05.97-11.00	*
1.8 T (ATW)		Gasolina	FWD	1781	110	150	05.97-11.00	*
1.8 T (AUG)		Gasolina	FWD	1781	110	150	05.97-11.00	*
1.8 T 20V (AWT)		Gasolina	FWD	1781	110	150	11.00-05.05	*
1.8 T (AWM)		Gasolina	FWD	1781	125	170	05.02-08.05	*
2.0 (AZM)		Gasolina	FWD	1984	85	115	11.00-05.05	*
2.0 4motion (AZM)		Gasolina	4WD	1984	85	115	11.00-05.05	*
2.0 (ASU)		Gasolina	FWD	1984	88	120	04.00-11.00	*
2.0 (AUZ)		Gasolina	FWD	1984	88	120	04.00-11.00	*
2.0 4motion (ASU)		Gasolina	4WD	1984	88	120	04.00-11.00	*
2.0 4motion (AUZ)		Gasolina	4WD	1984	88	120	04.00-11.00	*
2.0 (ALT)		Gasolina	FWD	1984	96	130	11.01-05.05	*
2.3 VR5 (AGZ)		Gasolina	FWD	2324	110	150	06.97-11.00	*
2.3 VR5 Syncro/4motion (AGZ)		Gasolina	4WD	2324	110	150	10.97-11.00	*
2.8		Gasolina	FWD	2771	132	180	05.97-09.99	*
2.8 V6 (AGE)		Gasolina	FWD	2771	132	180	09.97-09.99	*
2.8 V6 (ATX)		Gasolina	FWD	2771	140	190	09.99-11.00	*
2.8 V6 4motion (ATX)		Gasolina	4WD	2771	140	190	09.99-11.00	*
2.8 V6 (ACK)		Gasolina	FWD	2771	142	193	06.97-11.00	*
2.8 V6 (AHA)		Gasolina	FWD	2771	142	193	06.97-11.00	*
2.8 V6 (APR)		Gasolina	FWD	2771	142	193	06.97-11.00	*
2.8 V6 (AQD)		Gasolina	FWD	2771	142	193	06.97-11.00	*
2.8 V6 (ATQ)		Gasolina	FWD	2771	142	193	06.97-11.00	*
2.8 V6 Syncro/4motion (ACK)		Gasolina	4WD	2771	142	193	06.97-11.00	*
2.8 V6 Syncro/4motion (AHA)		Gasolina	4WD	2771	142	193	06.97-11.00	*
2.8 V6 Syncro/4motion (ALG)		Gasolina	4WD	2771	142	193	06.97-11.00	*
2.8 V6 Syncro/4motion (APR)		Gasolina	4WD	2771	142	193	06.97-11.00	*
2.8 V6 Syncro/4motion (AQD)		Gasolina	4WD	2771	142	193	06.97-11.00	*
2.8 V6 Syncro/4motion (ATQ)		Gasolina	4WD	2771	142	193	06.97-11.00	*
1.9 TDI (AVB)		Diesel	FWD	1896	74	101	02.00-11.00	*
1.9 TDI (AVB)		Diesel	FWD	1896	74	101	11.00-05.05	*
1.9 TDI (AFN)		Diesel	FWD	1896	81	110	06.97-11.00	*
1.9 TDI (AVG)		Diesel	FWD	1896	81	110	06.97-11.00	*
1.9 TDI Syncro/4motion (AFN)		Diesel	4WD	1896	81	110	06.97-08.00	*
1.9 TDI Syncro/4motion (AVG)		Diesel	4WD	1896	81	110	06.97-08.00	*
1.9 TDI (AJM)		Diesel	FWD	1896	85	115	08.98-11.00	*

LISTA DE APLICACIONES - BUYERS GUIDE

1.9 TDI (ATJ)	Diesel	FWD	1896	85	115	08.98-11.00	*
1.9 TDI 4motion (AJM)	Diesel	4WD	1896	85	115	08.99-11.00	*
1.9 TDI 4motion (ATJ)	Diesel	4WD	1896	85	115	08.99-11.00	*
1.9 TDI (AVF)	Diesel	FWD	1896	96	130	11.00-05.05	*
1.9 TDI (AWX)	Diesel	FWD	1896	96	130	11.00-05.05	*
1.9 TDI 4motion (AVF)	Diesel	4WD	1896	96	130	11.00-05.05	*
2.0 TDI (BGW)	Diesel	FWD	1968	100	136	12.03-05.05	*
2.0 TDI (BHW)	Diesel	FWD	1968	100	136	12.03-05.05	*
2.5 TDI (AFB)	Diesel	FWD	2496	110	150	07.98-11.00	*
2.5 TDI (AKN)	Diesel	FWD	2496	110	150	07.98-11.00	*
2.5 TDI Syncro/4motion (AFB)	Diesel	4WD	2496	110	150	12.98-11.00	*
2.5 TDI Syncro/4motion (AKN)	Diesel	4WD	2496	110	150	12.98-11.00	*