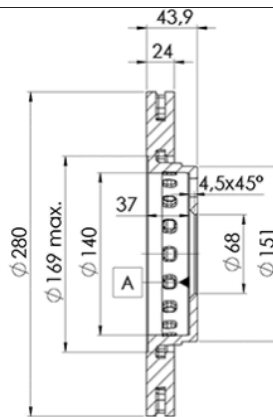
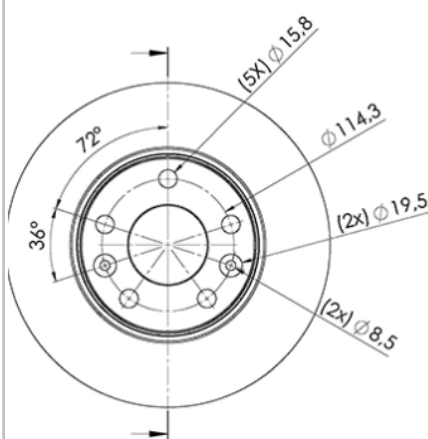


LISTA DE APLICACIONES - BUYERS GUIDE

78RBD24022



Weight: 13.564



78RBD24022



Ø280x24x43.9

Sin Filas

O.E.M.	MAKE
40 20 600 10R	RENAULT
40 20 641 51R	RENAULT
4020600Q2A	NISSAN
4020600Q2M	NISSAN
4020600Q3G	NISSAN
402063714R	NISSAN
402067668R	NISSAN
402069341R	NISSAN
4204213300	MERCEDES-BENZ
A4204213300	MERCEDES-BENZ



Trac.	CC	Kw	CV
-------	----	----	----



Front / Rear

DACIA

DUSTER (HS_) 04.11-				Furgoneta/SUV (Compact SUV-J Segment)				
1.2 TCe 125 4x4 (HSAU) (H5F 404)	Gasolina	4WD	1197	92	125	10.13-	*	
1.6 16V	Gasolina	FWD	1598	77	105	04.11-	*	
1.6 SCe 115	Gasolina	FWD	1598	84	115	06.15-	*	
1.6 SCe 115 4x4	Gasolina	4WD	1598	84	115	06.15-01.18	*	
1.5 dCi (K9K 884)	Diesel	FWD	1461	66	90	04.11-	*	
1.5 dCi (K9K 892)	Diesel	FWD	1461	66	90	04.11-	*	
1.5 dCi 4x4 (K9K 884)	Diesel	4WD	1461	66	90	04.11-	*	
1.5 dCi 4x4 (K9K 892)	Diesel	4WD	1461	66	90	04.11-	*	
1.5 dCi (K9K 666)	Diesel	FWD	1461	80	109	04.13-	*	
1.5 dCi (K9K 856)	Diesel	FWD	1461	80	109	04.13-	*	
1.5 dCi 4x4 (K9K 658)	Diesel	4WD	1461	80	109	04.13-	*	
1.5 dCi 4x4 (K9K 858)	Diesel	4WD	1461	80	109	04.13-	*	

DUSTER (HS_) 04.10-				SUV (Compact SUV-J Segment)				
1.2 TCe 125 (H5F 404)	Gasolina	FWD	1197	92	125	10.13-01.18	*	
1.2 TCe 125 (H5F 408)	Gasolina	FWD	1197	92	125	10.13-01.18	*	
1.2 TCe 125 4x4 (H5F 410)	Gasolina	4WD	1197	92	125	06.15-01.18	*	
1.6 16V 4x4 (K4M 606)	Gasolina	4WD	1598	77	105	06.10-01.18	*	
1.6 SCe 115 (H4M 438)	Gasolina	FWD	1598	84	115	06.15-01.18	*	
1.6 SCe 115 (H4M 738)	Gasolina	FWD	1598	84	115	06.15-01.18	*	
1.6 SCe 115 4x4 (H4M 430)	Gasolina	4WD	1598	84	115	06.15-01.18	*	
1.6 SCe 115 4x4 (H4M 730)	Gasolina	4WD	1598	84	115	06.15-01.18	*	
1.6 SCe 115 4x4 (H4M 738)	Gasolina	4WD	1598	84	115	06.15-01.18	*	

LISTA DE APLICACIONES - BUYERS GUIDE

1.6 16V LPG (K4M 616)		Gasol./Gas (LPG)	FWD	1598	77	105	04.11-01.18	*	
1.6 16V LPG (K4M 642)		Gasol./Gas (LPG)	FWD	1598	77	105	04.11-01.18	*	
1.6 16V Hi-Flex (K4M 696)		Gasol./Etanol	FWD	1598	77	105	08.10-01.18	*	
1.6 SCe 115 LPG (H4M 740)		Gasol./Etanol	FWD	1598	84	115	06.15-01.18	*	
1.5 dCi (K9K 796)		Diesel	FWD	1461	63	86	04.10-01.18	*	
1.5 dCi (K9K 830)		Diesel	FWD	1461	63	86	04.10-01.18	*	
1.5 dCi (HSAJ) (K9K 612)		Diesel	FWD	1461	66	90	10.10-01.18	*	
1.5 dCi (HSAJ) (K9K 884)		Diesel	FWD	1461	66	90	10.10-01.18	*	
1.5 dCi (HSAJ) (K9K 892)		Diesel	FWD	1461	66	90	10.10-01.18	*	
1.5 dCi 4x4 (K9K 884)		Diesel	4WD	1461	66	90	10.10-01.18	*	
1.5 dCi 4x4 (K9K 894)		Diesel	4WD	1461	66	90	10.10-01.18	*	
1.5 dCi (HSMC) (K9K 896)		Diesel	FWD	1461	79	107	06.10-01.18	*	
1.5 dCi 4x4		Diesel	4WD	1461	79	107	06.10-	*	
1.5 dCi (K9K 658)		Diesel	FWD	1461	80	109	08.13-01.18	*	
1.5 dCi (K9K 666)		Diesel	FWD	1461	80	109	08.13-01.18	*	
1.5 dCi (K9K 667)		Diesel	FWD	1461	80	109	08.13-01.18	*	
1.5 dCi (K9K 856)		Diesel	FWD	1461	80	109	08.13-01.18	*	
1.5 dCi (K9K 858)		Diesel	FWD	1461	80	109	08.13-01.18	*	
1.5 dCi 4x4 (K9K 658)		Diesel	4WD	1461	80	109	08.13-01.18	*	
1.5 dCi 4x4 (K9K 856)		Diesel	4WD	1461	80	109	08.13-01.18	*	
1.5 dCi 4x4 (K9K 858)		Diesel	4WD	1461	80	109	08.13-01.18	*	
1.5 dCi 4x4 (K9K 898)		Diesel	4WD	1461	80	109	08.13-01.18	*	
1.5 dCi (HSMD, HSM3) (K9K 658)		Diesel	FWD	1461	81	110	08.13-01.18	*	
1.5 dCi (HSMD, HSM3) (K9K 856)		Diesel	FWD	1461	81	110	08.13-01.18	*	
1.5 dCi (HSMD, HSM3) (K9K 858)		Diesel	FWD	1461	81	110	08.13-01.18	*	
1.5 dCi (HSMD, HSM3) (K9K 898)		Diesel	FWD	1461	81	110	08.13-01.18	*	
1.5 dCi 4x4 (HSMC, HSMD) (K9K 856)		Diesel	4WD	1461	81	110	10.10-01.18	*	
1.5 dCi 4x4 (HSMC, HSMD) (K9K 858)		Diesel	4WD	1461	81	110	10.10-01.18	*	
1.5 dCi 4x4 (HSMC, HSMD) (K9K 898)		Diesel	4WD	1461	81	110	10.10-01.18	*	
DUSTER II (HM_) 10.17-							SUV (Compact SUV-J Segment)		
1.0 TCe 90 (HMM6)		Gasolina	FWD	999	67	91	05.21-	*	
1.0 TCe 100 (HMMT) (H4D 450)		Gasolina	FWD	999	74	101	01.19-	*	
1.0 TCe 100 (HMMT) (H4D 460)		Gasolina	FWD	999	74	101	01.19-	*	
1.0 TCe 100 4x4 (HMMT) (H4D 450)		Gasolina	4WD	999	74	101	01.19-	*	
1.0 TCe 100 4x4 (HMMT) (H4D 460)		Gasolina	4WD	999	74	101	01.19-	*	
1.2 TCe 125 (HMMA) (H5F 408)		Gasolina	FWD	1197	92	125	10.17-	*	
1.2 TCe 125 4x4 (HMMA) (H5F 410)		Gasolina	4WD	1197	92	125	10.17-	*	
1.3 TCe 130 (HMMF) (H5H 470)		Gasolina	FWD	1332	96	131	01.19-	*	
1.3 TCe 130 (HMMF) (H5H 480)		Gasolina	FWD	1332	96	131	01.19-	*	
1.3 TCe 130 4x4 (HMMF) (H5H 470)		Gasolina	4WD	1332	96	131	01.19-	*	
1.3 TCe 130 4x4 (HMMF) (H5H 480)		Gasolina	4WD	1332	96	131	01.19-	*	
1.3 TCe 150 (HMM3) (H5H 470)		Gasolina	FWD	1332	110	150	01.19-	*	
1.3 TCe 150 (HMM3) (H5H 480)		Gasolina	FWD	1332	110	150	01.19-	*	
1.3 TCe 150 4x4 (HMM3) (H5H 470)		Gasolina	4WD	1332	110	150	01.19-	*	
1.3 TCe 150 4x4 (HMM3) (H5H 480)		Gasolina	4WD	1332	110	150	01.19-	*	
1.6 SCe 115 (HMM1) (H4M 738)		Gasolina	FWD	1598	84	115	10.17-	*	
1.6 SCe 115 4x4 (HMM1)		Gasolina	4WD	1598	84	115	10.17-	*	
1.0 TCe LPG (HMM6, HMMT)		Gasol./Gas (LPG)	FWD	999	67	91	06.21-	*	

LISTA DE APLICACIONES - BUYERS GUIDE

1.0 LPG (HMMT)		Gasol./Gas (LPG)	FWD	999	74	101	01.19-	*
1.6 SCe 115 LPG (HMM1) (H4M 740)		Gasol./Gas (LPG)	FWD	1598	80	109	10.17-	*
1.5 dCi 90 (HMAA) (K9K 656)		Diesel	FWD	1461	66	90	10.17-	*
1.5 dCi 95 (HMAF)		Diesel	FWD	1461	70	95	10.17-	*
1.5 dCi 110 (HMAB) (K9K 656)		Diesel	FWD	1461	80	109	10.17-	*
1.5 dCi 110 (HMAB) (K9K 667)		Diesel	FWD	1461	80	109	10.17-	*
1.5 dCi 110 4x4 (HMAB) (K9K 658)		Diesel	4WD	1461	80	109	10.17-	*
1.5 dCi 115 4x4		Diesel	4WD	1461	84	114	01.22-	*
1.5 dCi 115 (HMAD) (K9K 872)		Diesel	FWD	1461	85	116	10.17-	*
1.5 dCi 115 (HMAD) (K9K 874)		Diesel	FWD	1461	85	116	10.17-	*
1.5 dCi 115 4x4 (HMAD) (K9K 872)		Diesel	4WD	1461	85	116	10.17-	*
1.5 dCi 115 4x4 (HMAD) (K9K 874)		Diesel	4WD	1461	85	116	10.17-	*
NISSAN								
JUKE II (F16_) 08.19-					SUV (Mini SUV-J Segment)			
1.0		Gasolina	FWD	999	84	114	08.19-	*
DIG-T 117 (HR10DDT)		Gasolina	FWD	999	86	117	08.19-	*
TERRANO IV / PATHFINDER (D10) 08.13-					SUV (Compact SUV-J Segment)			
1.6		Gasolina	FWD	1598	75	102	03.14-	*
1.6 4x4		Gasolina	4WD	1598	75	102	03.14-	*
1.6		Gasolina	FWD	1598	84	114	12.15-	*
1.6 4x4		Gasolina	4WD	1598	84	114	12.15-	*
2.0		Gasolina	FWD	1998	98	133	03.14-	*
2.0 4x4		Gasolina	4WD	1998	98	133	03.14-	*
2.0 4x4		Gasolina	4WD	1998	105	143	12.15-	*
RENAULT								
ARKANA (LCM_, LDN_) 08.19-					SUV (Compact SUV-J Segment)			
1.3 TCe 150 (LCM3)		Gasolina	FWD	1332	110	150	08.19-	*
1.3 TCe 150 4x4 (LCM3)		Gasolina	4WD	1332	110	150	08.19-	*
1.6 (LCM1)		Gasolina	FWD	1598	84	114	08.19-	*
1.6 4x4 (LCM1)		Gasolina	4WD	1598	84	114	08.19-	*
CAPTUR II 01.20-					[CAMBIADO]:Fastback (Mini SUV-J Segment)			
TCe 90 (HFM6)		Gasolina	FWD	999	67	91	09.20-	*
TCe 100 (HFMT) (H4D 450)		Gasolina	FWD	999	74	101	01.20-	*
TCe 130 (HFMF) (H5H 470)		Gasolina	FWD	1332	96	131	01.20-	*
TCe 155 (HFMN) (H5H 470)		Gasolina	FWD	1332	113	154	01.20-	*
1.0 TCe LPG (HFM6)		Gasol./Gas (LPG)	FWD	999	67	91	01.21-	*
LPG (HFMT) (H4D 450)		Gasol./Gas (LPG)	FWD	999	74	101	01.20-	*
TCe 140 (HFN0)		Gasol./el éc.	FWD	1332	103	140	09.20-	*
TCe 160 (HFN1)		Gasol./el éc.	FWD	1332	116	158	09.20-	*
Blue dCi 95 (HFAF) (K9K 872)		Diesel	FWD	1461	70	95	01.20-	*
Blue dCi 115 (HFAD) (K9K 872)		Diesel	FWD	1461	85	116	01.20-	*
Blue dCi 115 (HFAD) (K9K 873)		Diesel	FWD	1461	85	116	01.20-	*
DUSTER (H79_U.S.A.) 09.12-					Closed SUV (Compact SUV-J Segment)			
2.0		Gasolina	FWD	1998	99	135	09.12-	*
DUSTER (HS_) 01.11-					SUV (Compact SUV-J Segment)			
1.6 16V (HSAT) (K4M 616)		Gasolina	FWD	1598	75	102	06.11-05.15	*

LISTA DE APLICACIONES - BUYERS GUIDE

1.6 16V 4x4 (K4M 490)	Gasolina	4WD	1598	75	102	06.11-05.15	*
1.6 16V 4x4 (K4M 606)	Gasolina	4WD	1598	75	102	06.11-05.15	*
1.6 16V 4x4 (K4M 646)	Gasolina	4WD	1598	75	102	06.11-05.15	*
1.6 16V 4x4 (K4M 690)	Gasolina	4WD	1598	75	102	06.11-05.15	*
1.6 16V	Gasolina	FWD	1598	76	104	02.12-12.16	*
1.6 16V (H4M 438)	Gasolina	FWD	1598	84	114	06.15-01.18	*
1.6 16V 4x4 (H4M 430)	Gasolina	4WD	1598	84	114	06.15-01.18	*
2.0 (F4R 403)	Gasolina	FWD	1998	98	133	02.12-01.18	*
2.0 (F4R 405)	Gasolina	FWD	1998	98	133	02.12-01.18	*
2.0 4x4 (F4R)	Gasolina	4WD	1998	99	135	02.12-01.18	*
2.0	Gasolina	FWD	1998	101	137	01.11-	*
2.0 4x4 (HSAB, HSA3, HSAJ, HSMS)	Gasolina	4WD	1998	101	137	01.11-01.18	*
2.0	Gasolina	FWD	1998	102	138	10.11-	*
2.0 Flex	Gasolina	FWD	1998	104	141	01.11-	*
2.0 Hi-Flex	Gasolina	FWD	1998	104	141	01.11-	*
2.0 (F4R 402)	Gasolina	FWD	1998	105	142	10.11-01.18	*
2.0 (F4R 403)	Gasolina	FWD	1998	105	142	10.11-01.18	*
2.0 4x4 (F4R 402)	Gasolina	4WD	1998	105	142	10.11-01.18	*
2.0 4x4 (F4R 403)	Gasolina	4WD	1998	105	142	10.11-01.18	*
2.0 Flex	Gasolina	FWD	1998	105	142	10.11-	*
2.0 Flex	Gasolina	FWD	1998	109	148	01.16-	*
2.0 Flex	Gasolina	FWD	1998	109	148	01.16-	*
1.5 dCi	Diesel	FWD	1461	63	85	06.11-01.18	*
1.5 dCi	Diesel	FWD	1461	66	90	06.11-	*
1.5 dCi 4x4 (K9K 884)	Diesel	4WD	1461	66	90	06.11-01.18	*
1.5 dCi 4x4 (HSMD) (K9K 856)	Diesel	4WD	1461	80	109	09.13-01.18	*
1.5 dCi 4x4 (HSMD) (K9K 858)	Diesel	4WD	1461	80	109	09.13-01.18	*
1.5 dCi	Diesel	RWD	1461	81	110	02.12-	*
DUSTER II (HM_) 10.17-				SUV (Compact SUV-J Segment)			
1.3 TCe 150 4x4 (HMM3, HMMC)	Gasolina	4WD	1332	110	150	11.21-07.24	*
1.3 TCe 150	Gasolina	FWD	1332	113	154	11.21-	*
1.3 TCe	Gasolina	FWD	1332	115	156	11.21-	*
1.3 TCe 4x4	Gasolina	4WD	1332	115	156	11.21-	*
1.6 SCe 115 4x4 (HMM1)	Gasolina	4WD	1598	84	114	07.19-07.24	*
2.0 4x4 (HMMS)	Gasolina	4WD	1998	105	143	11.21-07.24	*
1.5 dCi 110 (HMAB) (K9K 656)	Diesel	FWD	1461	80	109	01.18-07.24	*
1.5 dCi 110 (HMAB) (K9K 657)	Diesel	FWD	1461	80	109	01.18-07.24	*
1.5 dCi 110 4x4 (HMAB) (K9K 658)	Diesel	4WD	1461	80	109	01.18-07.24	*
EXPRESS 05.21-				Furgoneta/MPV (LCVs-N1 Segment)			
1.3 TCe 100 (F6MA)	Gasolina	FWD	1332	75	102	05.21-	*
1.6 SCe 110 (F6MB)	Gasolina	FWD	1598	82	110	05.21-	*
1.5 Blue dCi 75 (F6AA)	Diesel	FWD	1461	55	75	05.21-	*
1.5 Blue dCi 95 (F6AB)	Diesel	FWD	1461	70	95	05.21-	*
1.5 dCi 95 (F6AB)	Diesel	FWD	1461	70	95	05.21-	*
FLUENCE / SYMBOL (L3_) 02.10-				Sedán (Luxury car-F Segment)			
1.6 16V (K4M 838)	Gasolina	FWD	1598	78	106	02.10-	*
1.6 16V (L301, L30F, L30P, L30R) (K4M 838)	Gasolina	FWD	1598	81	110	02.10-	*
1.6 16V (L301, L30F, L30P, L30R) (K4M 839)	Gasolina	FWD	1598	81	110	02.10-	*
1.6 16V (L301, L30P, L30R) (K4M 838)	Gasolina	FWD	1598	82	111	02.10-	*
1.6 (L33T, L33J, L304, L305, L30H) (H4M 729)	Gasolina	FWD	1598	86	117	01.13-	*

LISTA DE APLICACIONES - BUYERS GUIDE

2.0 16V		Gasolina	FWD	1997	101	137	05.11-	*	
2.0 16V (L30C, L30G, L30T, L30V) (M4R 714)		Gasolina	FWD	1997	103	140	02.10-	*	
2.0 16V (L30C, L30G, L30T, L30V) (M4R 751)		Gasolina	FWD	1997	103	140	02.10-	*	
2.0 (M4R 714)		Gasolina	FWD	1997	105	143	05.14-	*	
2.0 (M4R 751)		Gasolina	FWD	1997	105	143	05.14-	*	
1.6 LPG 16V (K4M 839)		Gasol./Gas (LPG)	FWD	1598	81	110	01.12-	*	
1.6 Flex (L300)		Gasol./Etanol	FWD	1598	85	115	01.12-11.14	*	
Z.E. (5AM 400)		Eléctrico	FWD		70	95	02.12-	*	
1.5 dCi (L30A) (K9K 830)		Diesel	FWD	1461	63	86	02.10-	*	
1.5 dCi (L30S) (K9K 834)		Diesel	FWD	1461	66	90	02.10-	*	
1.5 dCi (K9K 826)		Diesel	FWD	1461	70	95	07.14-	*	
1.5 dCi (L30B) (K9K 832)		Diesel	FWD	1461	78	106	02.10-	*	
1.5 dCi (L30D, L30L, L306, L33F, L33L, L33M, L33V, L33W) (K9K 656)		Diesel	FWD	1461	81	110	02.10-	*	
1.5 dCi (L30D, L30L, L306, L33F, L33L, L33M, L33V, L33W) (K9K 657)		Diesel	FWD	1461	81	110	02.10-	*	
1.5 dCi (L30D, L30L, L306, L33F, L33L, L33M, L33V, L33W) (K9K 836)		Diesel	FWD	1461	81	110	02.10-	*	
1.5 dCi (L30D, L30L, L306, L33F, L33L, L33M, L33V, L33W) (K9K 837)		Diesel	FWD	1461	81	110	02.10-	*	
GRAND SCÉNIC III (JZ0/1_) 02.09-					MPV (Compact MPV-M1 Segment)				
1.6 16V (JZ0U) (K4M 858)		Gasolina	FWD	1598	81	109	02.09-09.16	*	
1.5 dCi (JZ0A) (K9K 830)		Diesel	FWD	1461	63	86	04.09-09.16	*	
KANGOO III 06.21-					Furgoneta/MPV (LCVs-N1 Segment)				
1.3 TCe 100 (FJMA)		Gasolina	FWD	1332	75	102	06.21-	*	
1.3 TCe 130 (FJMB)		Gasolina	FWD	1332	96	131	06.21-	*	
E-Tech Electric (FJJA)		Eléctrico	FWD		90	122	04.22-	*	
1.5 Blue dCi 75 (FJAA)		Diesel	FWD	1461	55	75	06.21-	*	
1.5 Blue dCi 95 (FJAB)		Diesel	FWD	1461	70	95	06.21-	*	
1.5 Blue dCi 115 (FJAC)		Diesel	FWD	1461	85	116	06.21-	*	
KANGOO III 07.21-					MPV (LCVs-N1 Segment)				
TCe 100 (KJMA)		Gasolina	FWD	1332	75	102	07.21-	*	
TCe 130 (KJMB)		Gasolina	FWD	1332	96	131	07.21-	*	
E-Tech Electric (KJJA)		Eléctrico	FWD		90	122	04.22-	*	
Blue dCi 75 (KJAA)		Diesel	FWD	1461	55	75	07.21-	*	
Blue dCi 95 (KJAB)		Diesel	FWD	1461	70	95	07.21-	*	
Blue dCi 115 (KJAC)		Diesel	FWD	1461	85	116	10.21-	*	
KAPTUR (H5_) 03.16-					[CAMBIADO]:Fastback (Mini SUV-J Segment)				
1.3 TCe 150 (H5M3)		Gasolina	FWD	1332	110	150	10.21-	*	
1.3 TCe 150 4x4 (H5M3)		Gasolina	4WD	1332	110	150	10.21-	*	
2.0 4WD (F4R 410)		Gasolina	4WD	1998	105	143	03.16-	*	
LAGUNA III (BT0/1) 10.07-					[CAMBIADO]:Fastback (Large family car-D Segment)				
1.6 16V (BT04, BT0D, BT0U) (K4M 824)		Gasolina	FWD	1598	81	110	10.07-12.15	*	
1.5 dCi (BT00, BT0A, BT0T, BT1J) (K9K 780)		Diesel	FWD	1461	81	110	10.07-12.15	*	
1.5 dCi (BT00, BT0A, BT0T, BT1J) (K9K 782)		Diesel	FWD	1461	81	110	10.07-12.15	*	
LAGUNA III (DT0/1) 09.08-					Coupé (Large family car-D Segment)				
1.5 dCi (K9K 846)		Diesel	FWD	1461	81	110	03.12-12.15	*	
LAGUNA III Grandtour (KT0/1) 10.07-					[CAMBIADO]:Break (Large family car-D Segment)				
1.6 16V (KT0D) (K4M 824)		Gasolina	FWD	1598	81	110	10.07-12.15	*	

LISTA DE APLICACIONES - BUYERS GUIDE

1.5 dCi (KT0A, KT0R, KT02) (K9K 780)		Diesel	FWD	1461	81	110	10.07-12.15	*	
1.5 dCi (KT0A, KT0R, KT02) (K9K 782)		Diesel	FWD	1461	81	110	10.07-12.15	*	
1.5 dCi (KT0A, KT0R, KT02) (K9K 846)		Diesel	FWD	1461	81	110	10.07-12.15	*	
2.0 dCi (KT07, KT0J, KT14, KT1A, KT1S) (M9R 742)		Diesel	FWD	1995	96	131	10.07-12.15	*	
2.0 dCi (KT07, KT0J, KT14, KT1A, KT1S) (M9R 744)		Diesel	FWD	1995	96	131	10.07-12.15	*	
2.0 dCi (KT07, KT0J, KT14, KT1A, KT1S) (M9R 802)		Diesel	FWD	1995	96	131	10.07-12.15	*	
2.0 dCi (KT07, KT0J, KT14, KT1A, KT1S) (M9R 814)		Diesel	FWD	1995	96	131	10.07-12.15	*	
2.0 dCi (KT07, KT0J, KT14, KT1A, KT1S) (M9R 854)		Diesel	FWD	1995	96	131	10.07-12.15	*	
2.0 dCi (KT07, KT0J, KT14, KT1A, KT1S) (M9R 858)		Diesel	FWD	1995	96	131	10.07-12.15	*	
MEGANE IV (LVA/M/N) 10.16-							Sedán (Compact car-C Segment)		
1.2 TCe 130 (H5F 408)		Gasolina	FWD	1197	97	130	10.16-	*	
1.5 Blue dCi 95 (LVA2) (K9K 872)		Diesel	FWD	1461	70	95	02.19-	*	
1.5 dCi 110		Diesel	FWD	1461	81	110	10.16-	*	
1.5 Blue dCi 115 (LVA6) (K9K 872)		Diesel	FWD	1461	85	115	02.19-	*	
1.5 Blue dCi 115 (LVA6) (K9K 873)		Diesel	FWD	1461	85	115	02.19-	*	
MEGANE III (BZ0/1_, B3_) 11.08-							[CAMBIADO]:Fastback (Compact car-C Segment)		
1.2 TCe (BZ16, BZ28) (H5F 404)		Gasolina	FWD	1197	97	132	01.13-01.16	*	
1.2 TCe (BZ16, BZ28) (H5F 405)		Gasolina	FWD	1197	97	132	01.13-01.16	*	
1.2 TCe (BZ16, BZ28) (H5F 412)		Gasolina	FWD	1197	97	132	01.13-01.16	*	
1.2 TCe (BZ2B, BZ11) (H5F 400)		Gasolina	FWD	1198	85	116	03.12-08.15	*	
1.2 TCe (BZ2B, BZ11) (H5F 408)		Gasolina	FWD	1198	85	116	03.12-08.15	*	
1.4 TCe (BZ0F, BZ1V) (H4J 700)		Gasolina	FWD	1397	96	131	04.09-08.15	*	
1.6 16V (BZ0H) (K4M 848)		Gasolina	FWD	1598	74	101	11.08-08.15	*	
1.6 16V (BZ0H, BZ1R) (K4M 848)		Gasolina	FWD	1598	78	106	01.10-08.15	*	
1.6 16V (BZ1B, BZ1H) (K4M 858)		Gasolina	FWD	1598	81	110	11.08-03.17	*	
1.6 16V (K4M 858)		Gasolina	FWD	1598	82	111	11.08-01.16	*	
1.6 16V (K4M 866)		Gasolina	FWD	1598	82	111	11.08-01.16	*	
1.6 16V (K4M 848)		Gasolina	FWD	1598	85	116	01.13-08.15	*	
1.6 16V (K4M 858)		Gasolina	FWD	1598	85	116	01.13-08.15	*	
1.6 (B332) (H4M 729)		Gasolina	FWD	1598	86	117	01.14-01.16	*	
2.0 CVT (BZ0G, BZ1P) (M4R 711)		Gasolina	FWD	1997	103	140	02.09-08.15	*	
2.0 CVT (BZ0G, BZ1P) (M4R 713)		Gasolina	FWD	1997	103	140	02.09-08.15	*	
2.0 (M4R 710)		Gasolina	FWD	1997	105	143	01.11-08.15	*	
2.0 (M4R 714)		Gasolina	FWD	1997	105	143	01.11-08.15	*	
1.6 16V BiFuel (BZ1U, BZ0U) (K4M 858)		Gasol./Gas (LPG)	FWD	1598	81	110	05.09-08.15	*	
1.6 16V Hi-Flex (BZ03) (K4M 858)		Gasol./Etanol	FWD	1598	81	110	11.08-08.15	*	
1.6 16V Hi-Flex (BZ03) (K4M 866)		Gasol./Etanol	FWD	1598	81	110	11.08-08.15	*	
1.5 dCi (K9K 830)		Diesel	FWD	1461	63	86	11.08-08.15	*	
1.5 dCi (BZ0C) (K9K 834)		Diesel	FWD	1461	66	90	11.08-08.15	*	
1.5 dCi (BZ1G, BZ1W, BZ0R) (K9K 846)		Diesel	FWD	1461	70	95	11.13-08.15	*	
1.5 dCi (K9K 832)		Diesel	FWD	1461	78	106	12.08-01.16	*	
1.5 dCi (BZ09, BZ0D, BZ1W, BZ29, BZ14) (K9K 636)		Diesel	FWD	1461	81	110	02.09-12.15	*	
1.5 dCi (BZ09, BZ0D, BZ1W, BZ29, BZ14) (K9K 836)		Diesel	FWD	1461	81	110	02.09-12.15	*	
1.5 dCi (BZ09, BZ0D, BZ1W, BZ29, BZ14) (K9K 837)		Diesel	FWD	1461	81	110	02.09-12.15	*	
1.5 dCi (BZ09, BZ0D, BZ1W, BZ29, BZ14) (K9K 846)		Diesel	FWD	1461	81	110	02.09-12.15	*	

LISTA DE APLICACIONES - BUYERS GUIDE

1.6 dCi (BZ00, BZ12, BZ13) (R9M 402)		Diesel	FWD	1598	96	130	04.11-08.15	*	
1.6 dCi (BZ00, BZ12, BZ13) (R9M 404)		Diesel	FWD	1598	96	130	04.11-08.15	*	
1.9 dCi (BZ0N, BZ0J) (F9Q 870)		Diesel	FWD	1870	96	131	11.08-01.16	*	
1.9 dCi (BZ0N, BZ0J) (F9Q 872)		Diesel	FWD	1870	96	131	11.08-01.16	*	
MEGANE III (DZ0/1_) 11.08-							Coupé (Compact car-C Segment)		
1.2 TCe (DZ16, DZ28) (H5F 404)		Gasolina	FWD	1197	97	132	01.13-08.15	*	
1.2 TCe (DZ16, DZ28) (H5F 405)		Gasolina	FWD	1197	97	132	01.13-08.15	*	
1.2 TCe (DZ16, DZ28) (H5F 412)		Gasolina	FWD	1197	97	132	01.13-08.15	*	
1.2 TCe (DZ2B, DZ11) (H5F 400)		Gasolina	FWD	1198	85	116	03.12-08.15	*	
1.2 TCe (DZ2B, DZ11) (H5F 408)		Gasolina	FWD	1198	85	116	03.12-08.15	*	
1.4 TCe (DZ0F, DZ1V) (H4J 700)		Gasolina	FWD	1397	96	131	04.09-08.15	*	
1.6 16V (DZ0H) (K4M 848)		Gasolina	FWD	1598	74	101	11.08-08.15	*	
1.6 16V (DZ0U, DZ1B, DZ1H) (K4M 858)		Gasolina	FWD	1598	81	110	11.08-08.15	*	
2.0 CVT (DZ0G, DZ1E) (M4R 711)		Gasolina	FWD	1997	103	140	05.09-08.15	*	
1.6 16V Bifuel (DZ03, DZ1Y) (K4M 866)		Gasol./Gas (LPG)	FWD	1598	81	110	11.08-08.15	*	
1.5 dCi (DZ0A) (K9K 830)		Diesel	FWD	1461	63	86	11.08-08.15	*	
1.5 dCi (DZ0C, DZ1A) (K9K 834)		Diesel	FWD	1461	66	90	11.08-08.15	*	
1.5 dCi (K9K 846)		Diesel	FWD	1461	70	95	07.14-08.15	*	
1.5 dCi (DZ0B) (K9K 832)		Diesel	FWD	1461	78	106	02.09-08.15	*	
1.5 dCi (DZ09, DZ0D, DZ1F, DZ1G, DZ14, DZ29) (K9K 636)		Diesel	FWD	1461	81	110	02.09-08.15	*	
1.5 dCi (DZ09, DZ0D, DZ1F, DZ1G, DZ14, DZ29) (K9K 836)		Diesel	FWD	1461	81	110	02.09-08.15	*	
1.5 dCi (DZ09, DZ0D, DZ1F, DZ1G, DZ14, DZ29) (K9K 837)		Diesel	FWD	1461	81	110	02.09-08.15	*	
1.5 dCi (DZ09, DZ0D, DZ1F, DZ1G, DZ14, DZ29) (K9K 846)		Diesel	FWD	1461	81	110	02.09-08.15	*	
1.6 dCi (DZ00, DZ12, DZ2A, DZ13) (R9M 402)		Diesel	FWD	1598	96	130	04.11-08.15	*	
1.9 dCi (DZ0N, DZ0J, DZ1J, DZ1K) (F9Q 870)		Diesel	FWD	1870	96	131	11.08-08.15	*	
1.9 dCi (DZ0N, DZ0J, DZ1J, DZ1K) (F9Q 872)		Diesel	FWD	1870	96	131	11.08-08.15	*	
MEGANE III (B95) 06.09-							Sedán (Compact car-C Segment)		
1.6 16V		Gasolina	FWD	1598	82	112	06.09-	*	
MEGANE III Grandtour (KZ0/1) 11.08-							[CAMBIADO]:Break (Compact car-C Segment)		
1.2 TCe (KZ2B, KZ11) (H5F 400)		Gasolina	FWD	1198	85	116	03.12-08.15	*	
1.2 TCe (KZ2B, KZ11) (H5F 408)		Gasolina	FWD	1198	85	116	03.12-08.15	*	
1.4 TCe (KZ0F, KZ1V) (H4J 700)		Gasolina	FWD	1397	96	130	05.09-08.15	*	
1.6 16V (KZ0H) (K4M 848)		Gasolina	FWD	1598	74	101	05.09-08.15	*	
1.6 16V (KZ0U, KZ1B, KZ1U) (K4M 858)		Gasolina	FWD	1598	81	110	05.09-08.15	*	
1.6 16V (KZ0U, KZ1B, KZ1U) (K4M 866)		Gasolina	FWD	1598	81	110	05.09-08.15	*	
2.0 CVT (KZ0G, KZ1P) (M4R 711)		Gasolina	FWD	1997	103	140	05.09-08.15	*	
2.0 CVT (KZ0G, KZ1P) (M4R 713)		Gasolina	FWD	1997	103	140	05.09-08.15	*	
1.6 BiFuel (KZ03) (K4M 866)		Gasol./Gas (LPG)	FWD	1598	81	110	11.08-08.15	*	
1.5 dCi (K9K 830)		Diesel	FWD	1461	63	86	03.09-08.15	*	
1.5 dCi (KZ0C, KZ1A) (K9K 834)		Diesel	FWD	1461	66	90	05.09-08.15	*	
1.5 dCi (KZ1M, KZ1W, KZ0R) (K9K 832)		Diesel	FWD	1461	78	106	02.09-08.15	*	
1.5 dCi (KZ1M, KZ1W, KZ0R) (K9K 836)		Diesel	FWD	1461	78	106	02.09-08.15	*	
1.5 dCi (KZ1M, KZ1W, KZ0R) (K9K 846)		Diesel	FWD	1461	78	106	02.09-08.15	*	
1.5 dCi (KZ09, KZ0D, KZ1G, KZ29, KZ14, KZ1W, KZ10, KZ1F,...) (K9K 636)		Diesel	FWD	1461	81	110	02.09-08.15	*	
1.5 dCi (KZ09, KZ0D, KZ1G, KZ29, KZ14, KZ1W, KZ10, KZ1F,...) (K9K 836)		Diesel	FWD	1461	81	110	02.09-08.15	*	
1.5 dCi (KZ09, KZ0D, KZ1G, KZ29, KZ14, KZ1W, KZ10, KZ1F,...) (K9K 837)		Diesel	FWD	1461	81	110	02.09-08.15	*	

LISTA DE APLICACIONES - BUYERS GUIDE

1.5 dCi (KZ09, KZ0D, KZ1G, KZ29, KZ14, KZ1W, KZ10, KZ1F,... (K9K 846)	Diesel	FWD	1461	81	110	02.09-08.15	*
1.6 dCi (KZ00, KZ12, KZ13) (R9M 402)	Diesel	FWD	1598	96	130	04.11-08.15	*
1.6 dCi (KZ00, KZ12, KZ13) (R9M 404)	Diesel	FWD	1598	96	130	04.11-08.15	*
1.6 dCi (KZ00, KZ12, KZ13) (R9M 414)	Diesel	FWD	1598	96	130	04.11-08.15	*
1.9 dCi (KZ0J, KZ0N, KZ1S) (F9Q 870)	Diesel	FWD	1870	96	131	05.09-08.15	*
1.9 dCi (KZ0J, KZ0N, KZ1S) (F9Q 872)	Diesel	FWD	1870	96	131	05.09-08.15	*
MEGANE III Hatchback Van (BZ_) 11.08-08.15						Furgón/hatchback (Compact car-C Segment)	
1.5 dCi (BZ0C, BZ1A) (K9K 834)	Diesel	FWD	1461	66	90	11.08-08.15	*
1.5 dCi (BZ0D, BZ1G, BZ1F, BZ1M, BZ1W, BZ0R, BZ10) (K9K 836)	Diesel	FWD	1461	81	110	02.09-08.15	*
1.5 dCi (BZ0D, BZ1G, BZ1F, BZ1M, BZ1W, BZ0R, BZ10) (K9K 846)	Diesel	FWD	1461	81	110	02.09-08.15	*
MEGANE III CC (EZ0/1_) 06.10-						Cabrió (Compact car-C Segment)	
1.4 TCe (EZ0F, EZ1V) (H4J 700)	Gasolina	FWD	1397	96	131	06.10-08.15	*
1.6 16V (EZ0U, EZ1U) (K4M 858)	Gasolina	FWD	1598	81	110	06.10-08.15	*
2.0 CVT (EZ0G, EZ1E, EZ1P) (M4R 711)	Gasolina	FWD	1997	103	140	06.10-08.15	*
2.0 CVT (EZ0G, EZ1E, EZ1P) (M4R 713)	Gasolina	FWD	1997	103	140	06.10-08.15	*
1.5 dCi (EZ09, EZ1G, EZ0D, EZ14) (K9K 837)	Diesel	FWD	1461	81	110	06.10-08.15	*
1.6 dCi (EZ00) (R9M 402)	Diesel	FWD	1598	96	130	04.11-08.15	*
1.9 dCi (EZ0J, EZ1S) (F9Q 870)	Diesel	FWD	1870	96	131	06.10-08.15	*
MEGANE IV (B9A/M/N_) 11.15-						[CAMBIADO]:Fastback (Compact car-C Segment)	
1.0 TCe 115 (B9MD, B9MW)	Gasolina	FWD	999	84	114	10.20-	*
1.2 TCe 100 (B9MS) (H5F 408)	Gasolina	FWD	1197	74	101	11.15-	*
1.2 TCe 130 (B9MR) (H5F 408)	Gasolina	FWD	1197	97	130	11.15-	*
1.3 TCe 100 (B9N8) (H5H 470)	Gasolina	FWD	1332	75	102	08.18-	*
1.3 TCe 115 (B9N9) (H5H 450)	Gasolina	FWD	1332	85	116	01.18-	*
1.3 TCe 115 (B9N9) (H5H 470)	Gasolina	FWD	1332	85	116	01.18-	*
1.3 TCe 140 (B9NB) (H5H 450)	Gasolina	FWD	1332	103	140	01.18-	*
1.3 TCe 140 (B9NB) (H5H 470)	Gasolina	FWD	1332	103	140	01.18-	*
1.5 Blue dCi 95 (B9A2, B9A6) (K9K 872)	Diesel	FWD	1461	70	95	08.18-	*
1.5 dCi 110 (B9A3) (K9K 646)	Diesel	FWD	1461	81	110	11.15-	*
1.5 dCi 110 (B9A3) (K9K 648)	Diesel	FWD	1461	81	110	11.15-	*
1.5 dCi 110 (B9A3) (K9K 656)	Diesel	FWD	1461	81	110	11.15-	*
1.5 dCi 110 (B9A3) (K9K 657)	Diesel	FWD	1461	81	110	11.15-	*
1.5 Blue dCi 115 (B9A6) (K9K 872)	Diesel	FWD	1461	85	116	08.18-	*
1.5 Blue dCi 115 (B9A6) (K9K 873)	Diesel	FWD	1461	85	116	08.18-	*
MEGANE IV Grandtour (K9A/M/N_) 04.16-						[CAMBIADO]:Break (Compact car-C Segment)	
1.0 TCe 115 (K9MB, K9MW)	Gasolina	FWD	999	84	114	07.21-	*
1.2 TCe 100 (H5F 408)	Gasolina	FWD	1197	74	101	04.16-	*
1.2 TCe 130 (K9MR) (H5F 408)	Gasolina	FWD	1197	97	130	04.16-	*
1.3 TCe 100 (K9N8) (H5H 470)	Gasolina	FWD	1332	75	102	08.18-	*
1.3 TCe 115 (K9N9) (H5H 450)	Gasolina	FWD	1332	85	116	01.18-	*
1.3 TCe 115 (K9N9) (H5H 470)	Gasolina	FWD	1332	85	116	01.18-	*
1.3 TCe 140 (K9NB) (H5H 450)	Gasolina	FWD	1332	103	140	01.18-	*
1.3 TCe 140 (K9NB) (H5H 470)	Gasolina	FWD	1332	103	140	01.18-	*
1.6 16V (H4M 738)	Gasolina	FWD	1598	84	115	04.16-	*
1.5 dCi 90 (K9K 656)	Diesel	FWD	1461	66	90	04.16-	*
1.5 Blue dCi 95 (K9A2) (K9K 872)	Diesel	FWD	1461	70	95	08.18-	*
1.5 dCi 110 (K9K 656)	Diesel	FWD	1461	81	110	04.16-	*
1.5 dCi 110 (K9K 657)	Diesel	FWD	1461	81	110	04.16-	*

LISTA DE APLICACIONES - BUYERS GUIDE

1.5 Blue dCi 115 (K9A6) (K9K 872)	Diesel	FWD	1461	85	116	08.18-	*
1.5 Blue dCi 115 (K9A6) (K9K 873)	Diesel	FWD	1461	85	116	08.18-	*
SCÉNIC III (JZ0/1_) 12.08-				MPV (Compact MPV-M1 Segment)			
1.6 16V (JZ0U, JZ1B) (K4M 858)	Gasolina	FWD	1598	81	110	02.09-09.16	*
1.6 16V (JZ0U, JZ1B) (K4M R 858)	Gasolina	FWD	1598	81	110	02.09-09.16	*
1.6 E85 (JZ03, JZ1Y) (K4M 866)	Gasol./Etanol	FWD	1598	81	110	02.09-09.16	*
1.5 dCi (K9K 830)	Diesel	FWD	1461	63	86	04.09-09.16	*
1.5 dCi (K9K 636)	Diesel	FWD	1461	81	110	04.09-09.16	*
1.5 dCi (K9K 656)	Diesel	FWD	1461	81	110	04.09-09.16	*
1.5 dCi (K9K 657)	Diesel	FWD	1461	81	110	04.09-09.16	*
1.5 dCi (K9K 836)	Diesel	FWD	1461	81	110	04.09-09.16	*
1.5 dCi (K9K 837)	Diesel	FWD	1461	81	110	04.09-09.16	*
ZOE (BFM_) 06.12-				[CAMBIADO]:Fastback (City car-A Segment)			
ZOE (BFMC, BFMD) (5AQ 605)	Eléctrico	FWD		100	136	09.19-	*
ZOE (BFM_) 04.19-				Furgón/hatchback (City car-A Segment)			
Electric (BFMC, BFMD)	Eléctrico	FWD		100	136	10.19-	*
VW							
JETTA V / BORA / VENTO (1K2) 09.04-12.13				Sedán (Compact car-C Segment)			
1.6 MultiFuel (CCSA)	Gasol./Etanol	FWD	1595	75	102	01.08-10.10	*