

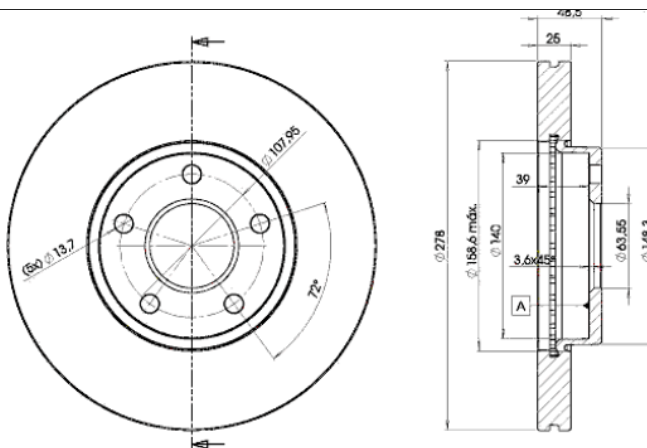
LISTA DE APLICACIONES - BUYERS GUIDE

78RBD23963



Weight: 14.284

O.E.M.	MAKE
1 223 663	FORD
1 223 665	FORD
1 253 729	FORD
1 253 730	FORD
1 320 352	FORD
1 373 369	FORD
1 469 082	FORD
1 501 069	FORD
1 734 696	FORD
1501058	FORD
1575734	FORD
3M512C375A1D	FORD
3M512C375AA	FORD
3M512C375AB	FORD
3M512C375AC	FORD
3M512C375AD	FORD
3M512C375DA	FORD
3M512C375DB	FORD
6M512C375AA	FORD (CHANGAN)
7M511125EA	FORD
7M511125FA	FORD
AV611125BA	FORD
AV61-1125-BB	FORD
ED8C1125AA	FORD
ED8C1125AB	FORD



78RBD23963

E1 90R-02C0452/0118



Ø278x25x48.5

Sin Filas



Trac.	CC	Kw	CV		
					Front / Rear

FORD

C-MAX (DM2) 02.07-09.10

MPV (Compact MPV-M1 Segment)

Model	Engine	Trac.	CC	Kw	CV	Period	Notes
1.6 (HWDA)	Gasolina	FWD	1596	74	100	02.07-09.10	*
1.6 (HWDB)	Gasolina	FWD	1596	74	100	02.07-09.10	*
1.6 (SHDA)	Gasolina	FWD	1596	74	100	02.07-09.10	*
1.6 (SHDB)	Gasolina	FWD	1596	74	100	02.07-09.10	*
1.6 (SHDC)	Gasolina	FWD	1596	74	100	02.07-09.10	*
1.6 (HXDA)	Gasolina	FWD	1596	85	116	04.07-09.10	*
1.6 (HXDB)	Gasolina	FWD	1596	85	116	04.07-09.10	*
1.6 (SIDA)	Gasolina	FWD	1596	85	116	04.07-09.10	*
1.8 (QQDA)	Gasolina	FWD	1798	92	125	02.07-09.10	*
1.8 (QQDB)	Gasolina	FWD	1798	92	125	02.07-09.10	*
2.0 (AODA)	Gasolina	FWD	1999	107	145	02.07-09.10	*
2.0 (AODB)	Gasolina	FWD	1999	107	145	02.07-09.10	*
2.0 (AODE)	Gasolina	FWD	1999	107	145	02.07-09.10	*
2.0 (SYDA)	Gasolina	FWD	1999	107	145	02.07-09.10	*
1.6 TDCi (GPDA)	Diesel	FWD	1560	66	90	02.07-09.10	*
1.6 TDCi (HHDA)	Diesel	FWD	1560	66	90	02.07-09.10	*
1.6 TDCi (HHDB)	Diesel	FWD	1560	66	90	02.07-09.10	*
2.0 TDCi (IXDA)	Diesel	FWD	1997	81	110	02.08-09.10	*
2.0 TDCi (G6DC)	Diesel	FWD	1997	98	133	02.07-09.10	*
2.0 TDCi (G6DE)	Diesel	FWD	1997	98	133	02.07-09.10	*
2.0 TDCi (G6DF)	Diesel	FWD	1997	98	133	02.07-09.10	*
2.0 TDCi (G6DA)	Diesel	FWD	1997	100	136	02.07-09.10	*
2.0 TDCi (G6DB)	Diesel	FWD	1997	100	136	02.07-09.10	*

LISTA DE APLICACIONES - BUYERS GUIDE

2.0 TDCi (G6DD)		Diesel	FWD	1997	100	136	02.07-09.10	*	
2.0 TDCi (G6DG)		Diesel	FWD	1997	100	136	02.07-09.10	*	
FOCUS II (DA_, HCP, DP) 07.04-09.13					[CAMBIADO]:Fastback (Compact car-C Segment)				
1.4 (ASDA)		Gasolina	FWD	1388	59	80	07.04-09.12	*	
1.4 (ASDB)		Gasolina	FWD	1388	59	80	07.04-09.12	*	
1.6 (HWDA)		Gasolina	FWD	1596	74	100	07.04-09.12	*	
1.6 (HWDB)		Gasolina	FWD	1596	74	100	07.04-09.12	*	
1.6 (SHDA)		Gasolina	FWD	1596	74	100	07.04-09.12	*	
1.6 (SHDB)		Gasolina	FWD	1596	74	100	07.04-09.12	*	
1.6 (SHDC)		Gasolina	FWD	1596	74	100	07.04-09.12	*	
1.6		Gasolina	FWD	1596	81	110	01.10-09.12	*	
1.6 Ti (HXDA)		Gasolina	FWD	1596	85	115	07.04-09.12	*	
1.6 Ti (HXDB)		Gasolina	FWD	1596	85	115	07.04-09.12	*	
1.6 Ti (SIDA)		Gasolina	FWD	1596	85	115	07.04-09.12	*	
1.8 (Q7DA)		Gasolina	FWD	1798	92	125	03.06-09.12	*	
1.8 (QQDA)		Gasolina	FWD	1798	92	125	03.06-09.12	*	
1.8 (QQDB)		Gasolina	FWD	1798	92	125	03.06-09.12	*	
2.0 (AODA)		Gasolina	FWD	1999	107	145	07.04-09.12	*	
2.0 (AODB)		Gasolina	FWD	1999	107	145	07.04-09.12	*	
2.0 (AODE)		Gasolina	FWD	1999	107	145	07.04-09.12	*	
1.8 Flexifuel (Q7DA)		Gasol./Etanol	FWD	1798	92	125	01.06-09.12	*	
1.8 Flexifuel (QQDA)		Gasol./Etanol	FWD	1798	92	125	01.06-09.12	*	
1.8 Flexifuel (QQDB)		Gasol./Etanol	FWD	1798	92	125	01.06-09.12	*	
1.8 Flexifuel (QQDD)		Gasol./Etanol	FWD	1798	96	131	12.05-01.08	*	
1.6 TDCi (GPDA)		Diesel	FWD	1560	66	90	01.05-09.12	*	
1.6 TDCi (GPDB)		Diesel	FWD	1560	66	90	01.05-09.12	*	
1.6 TDCi (GPDC)		Diesel	FWD	1560	66	90	01.05-09.12	*	
1.6 TDCi (HHDA)		Diesel	FWD	1560	66	90	01.05-09.12	*	
1.6 TDCi (HHDB)		Diesel	FWD	1560	66	90	01.05-09.12	*	
1.6 TDCi (G8DA)		Diesel	FWD	1560	80	109	07.04-09.12	*	
1.6 TDCi (G8DB)		Diesel	FWD	1560	80	109	07.04-09.12	*	
1.6 TDCi (G8DD)		Diesel	FWD	1560	80	109	07.04-09.12	*	
1.6 TDCi (G8DE)		Diesel	FWD	1560	80	109	07.04-09.12	*	
1.6 TDCi (G8DF)		Diesel	FWD	1560	80	109	07.04-09.12	*	
1.8 TDCi (KKDA)		Diesel	FWD	1753	85	115	01.05-09.12	*	
2.0 TDCi (IXDA)		Diesel	FWD	1997	81	110	02.08-07.11	*	
2.0 TDCi (G6DA)		Diesel	FWD	1997	100	136	07.04-09.12	*	
2.0 TDCi (G6DB)		Diesel	FWD	1997	100	136	07.04-09.12	*	
2.0 TDCi (G6DD)		Diesel	FWD	1997	100	136	07.04-09.12	*	
2.0 TDCi (G6DG)		Diesel	FWD	1997	100	136	07.04-09.12	*	
FOCUS II 07.04-07.11					[CAMBIADO]:Furgón/Break (Compact car-C Segment)				
1.4 (ASDA)		Gasolina	FWD	1388	59	80	09.05-07.11	*	
1.4 (ASDB)		Gasolina	FWD	1388	59	80	09.05-07.11	*	
1.6 (HWDA)		Gasolina	FWD	1596	74	101	09.05-07.11	*	
1.6 Ti-VCT (HXDA)		Gasolina	FWD	1596	85	116	09.05-07.11	*	
1.6 Ti-VCT (HXDB)		Gasolina	FWD	1596	85	116	09.05-07.11	*	
1.6 Ti-VCT (SIDA)		Gasolina	FWD	1596	85	116	09.05-07.11	*	
1.8 Flexifuel (Q7DA)		Gasol./Etanol	FWD	1798	92	125	06.09-07.11	*	

LISTA DE APLICACIONES - BUYERS GUIDE

1.8 Flexifuel (QQDA)		Gasol./Etanol	FWD	1798	92	125	06.09-07.11	*
1.6 TDCi (HHDA)		Diesel	FWD	1560	66	90	09.05-07.11	*
1.6 TDCi (G8DC)		Diesel	FWD	1560	74	101	11.04-07.11	*
1.6 TDCi (MTDA)		Diesel	FWD	1560	74	101	11.04-07.11	*
1.6 TDCi (G8DA)		Diesel	FWD	1560	80	109	07.04-07.11	*
FOCUS II 10.06-09.10				Cabrio (Compact car-C Segment)				
1.6 (HWDA)		Gasolina	FWD	1596	74	100	10.06-09.10	*
1.6 (HWDB)		Gasolina	FWD	1596	74	100	10.06-09.10	*
1.6 (SHDA)		Gasolina	FWD	1596	74	100	10.06-09.10	*
1.6 (SHDB)		Gasolina	FWD	1596	74	100	10.06-09.10	*
1.6 (SHDC)		Gasolina	FWD	1596	74	100	10.06-09.10	*
2.0 (AODA)		Gasolina	FWD	1999	107	145	10.06-09.10	*
2.0 (AODB)		Gasolina	FWD	1999	107	145	10.06-09.10	*
2.0 (AODE)		Gasolina	FWD	1999	107	145	10.06-09.10	*
2.0 (SYDA)		Gasolina	FWD	1999	107	145	10.06-09.10	*
2.0 TDCi (G6DA)		Diesel	FWD	1997	100	136	10.06-09.10	*
2.0 TDCi (G6DB)		Diesel	FWD	1997	100	136	10.06-09.10	*
2.0 TDCi (G6DD)		Diesel	FWD	1997	100	136	10.06-09.10	*
2.0 TDCi (G6DG)		Diesel	FWD	1997	100	136	10.06-09.10	*
FOCUS II (DB_, FCH, DH) 04.05-				Sedán (Compact car-C Segment)				
1.4 (ASDA)		Gasolina	FWD	1388	59	80	04.05-09.12	*
1.4 (ASDB)		Gasolina	FWD	1388	59	80	04.05-09.12	*
1.6 (HWDA)		Gasolina	FWD	1596	74	100	04.05-09.12	*
1.6 (HWDB)		Gasolina	FWD	1596	74	100	04.05-09.12	*
1.6 (SHDA)		Gasolina	FWD	1596	74	100	04.05-09.12	*
1.6 (SHDB)		Gasolina	FWD	1596	74	100	04.05-09.12	*
1.6 (SHDC)		Gasolina	FWD	1596	74	100	04.05-09.12	*
1.6		Gasolina	FWD	1596	81	110	03.10-09.12	*
1.6 Ti (HXDA)		Gasolina	FWD	1596	85	115	04.05-09.12	*
1.6 Ti (HXDB)		Gasolina	FWD	1596	85	115	04.05-09.12	*
1.6 Ti (SIDA)		Gasolina	FWD	1596	85	115	04.05-09.12	*
1.8 (Q7DA)		Gasolina	FWD	1798	92	125	03.06-09.12	*
1.8 (QQDA)		Gasolina	FWD	1798	92	125	03.06-09.12	*
1.8 (QQDB)		Gasolina	FWD	1798	92	125	03.06-09.12	*
2.0 (AODA)		Gasolina	FWD	1999	107	145	04.05-07.11	*
2.0 (AODB)		Gasolina	FWD	1999	107	145	04.05-07.11	*
2.0 (AODE)		Gasolina	FWD	1999	107	145	04.05-07.11	*
2.0 (SYDA)		Gasolina	FWD	1999	107	145	04.05-07.11	*
1.6 Flex		Gasol./Etanol	FWD	1596	85	116	01.10-09.13	*
1.8 Flexifuel (Q7DA)		Gasol./Etanol	FWD	1798	92	125	06.06-07.11	*
1.8 Flexifuel (QQDA)		Gasol./Etanol	FWD	1798	92	125	06.06-07.11	*
1.8 Flexifuel (QQDB)		Gasol./Etanol	FWD	1798	92	125	06.06-07.11	*
1.8 Flexifuel		Gasol./Etanol	FWD	1798	96	131	12.05-01.08	*
1.6 TDCi (GPDA)		Diesel	FWD	1560	66	90	04.05-09.12	*
1.6 TDCi (GPDB)		Diesel	FWD	1560	66	90	04.05-09.12	*
1.6 TDCi (GPDC)		Diesel	FWD	1560	66	90	04.05-09.12	*
1.6 TDCi (HHDA)		Diesel	FWD	1560	66	90	04.05-09.12	*
1.6 TDCi (HHDB)		Diesel	FWD	1560	66	90	04.05-09.12	*

LISTA DE APLICACIONES - BUYERS GUIDE

1.6 TDCi (G8DA)		Diesel	FWD	1560	80	109	04.05-09.12	*
1.6 TDCi (G8DB)		Diesel	FWD	1560	80	109	04.05-09.12	*
1.6 TDCi (G8DD)		Diesel	FWD	1560	80	109	04.05-09.12	*
1.6 TDCi (G8DE)		Diesel	FWD	1560	80	109	04.05-09.12	*
1.6 TDCi (G8DF)		Diesel	FWD	1560	80	109	04.05-09.12	*
1.8 TDCi (KKDA)		Diesel	FWD	1753	85	115	04.05-09.12	*
2.0 TDCi (IXDA)		Diesel	FWD	1997	81	110	02.08-07.11	*
2.0 TDCi (G6DA)		Diesel	FWD	1997	100	136	04.05-09.12	*
2.0 TDCi (G6DB)		Diesel	FWD	1997	100	136	04.05-09.12	*
2.0 TDCi (G6DD)		Diesel	FWD	1997	100	136	04.05-09.12	*
2.0 TDCi (G6DG)		Diesel	FWD	1997	100	136	04.05-09.12	*
FOCUS II Turnier (DA_, FFS, DS) 07.04-09.12							[CAMBIADO]:Break (Compact car-C Segment)	
1.4 (ASDA)		Gasolina	FWD	1388	59	80	07.04-09.12	*
1.4 (ASDB)		Gasolina	FWD	1388	59	80	07.04-09.12	*
1.6 (HWDA)		Gasolina	FWD	1596	74	100	07.04-07.11	*
1.6 (HWDB)		Gasolina	FWD	1596	74	100	07.04-07.11	*
1.6 (SHDA)		Gasolina	FWD	1596	74	100	07.04-07.11	*
1.6 (SHDB)		Gasolina	FWD	1596	74	100	07.04-07.11	*
1.6 (SHDC)		Gasolina	FWD	1596	74	100	07.04-07.11	*
1.6 Ti (HXDA)		Gasolina	FWD	1596	85	115	07.04-09.12	*
1.6 Ti (HXDB)		Gasolina	FWD	1596	85	115	07.04-09.12	*
1.6 Ti (SIDA)		Gasolina	FWD	1596	85	115	07.04-09.12	*
1.8 (Q7DA)		Gasolina	FWD	1798	92	125	03.06-09.12	*
1.8 (QQDA)		Gasolina	FWD	1798	92	125	03.06-09.12	*
1.8 (QQDB)		Gasolina	FWD	1798	92	125	03.06-09.12	*
1.8 Flexifuel		Gasolina	FWD	1798	97	132	12.05-01.08	*
2.0 (AODA)		Gasolina	FWD	1999	107	145	07.04-09.12	*
2.0 (AODB)		Gasolina	FWD	1999	107	145	07.04-09.12	*
2.0 (AODE)		Gasolina	FWD	1999	107	145	07.04-09.12	*
2.0 (SYDA)		Gasolina	FWD	1999	107	145	07.04-09.12	*
1.8 Flexifuel (Q7DA)		Gasol./Etanol	FWD	1798	92	125	01.06-09.12	*
1.8 Flexifuel (QQDA)		Gasol./Etanol	FWD	1798	92	125	01.06-09.12	*
1.8 Flexifuel (QQDB)		Gasol./Etanol	FWD	1798	92	125	01.06-09.12	*
1.6 TDCi (GPDA)		Diesel	FWD	1560	66	90	07.04-09.12	*
1.6 TDCi (GPDB)		Diesel	FWD	1560	66	90	07.04-09.12	*
1.6 TDCi (GPDC)		Diesel	FWD	1560	66	90	07.04-09.12	*
1.6 TDCi (HHDA)		Diesel	FWD	1560	66	90	07.04-09.12	*
1.6 TDCi (HHDB)		Diesel	FWD	1560	66	90	07.04-09.12	*
1.6 TDCi (G8DA)		Diesel	FWD	1560	80	109	07.04-09.12	*
1.6 TDCi (G8DB)		Diesel	FWD	1560	80	109	07.04-09.12	*
1.6 TDCi (G8DD)		Diesel	FWD	1560	80	109	07.04-09.12	*
1.6 TDCi (G8DE)		Diesel	FWD	1560	80	109	07.04-09.12	*
1.6 TDCi (G8DF)		Diesel	FWD	1560	80	109	07.04-09.12	*
1.8 TDCi (KKDA)		Diesel	FWD	1753	85	115	07.04-09.12	*
2.0 TDCi (IXDA)		Diesel	FWD	1997	81	110	02.08-07.11	*
2.0 TDCi (G6DA)		Diesel	FWD	1997	100	136	07.04-09.12	*
2.0 TDCi (G6DB)		Diesel	FWD	1997	100	136	07.04-09.12	*
2.0 TDCi (G6DD)		Diesel	FWD	1997	100	136	07.04-09.12	*
2.0 TDCi (G6DG)		Diesel	FWD	1997	100	136	07.04-09.12	*

LISTA DE APLICACIONES - BUYERS GUIDE

FOCUS C-MAX (DM2) 10.03-03.07					MPV (Compact MPV-M1 Segment)			
1.6 (HWDA)		Gasolina	FWD	1596	74	100	10.03-03.07	*
1.6 (HWDB)		Gasolina	FWD	1596	74	100	10.03-03.07	*
1.6 (SHDA)		Gasolina	FWD	1596	74	100	10.03-03.07	*
1.6 (SHDB)		Gasolina	FWD	1596	74	100	10.03-03.07	*
1.6 (SHDC)		Gasolina	FWD	1596	74	100	10.03-03.07	*
1.6 Ti (HXDA)		Gasolina	FWD	1596	85	115	08.04-03.07	*
1.6 Ti (SIDA)		Gasolina	FWD	1596	85	115	08.04-03.07	*
1.8 (CSDA)		Gasolina	FWD	1798	88	120	10.03-03.07	*
1.8 (CSDB)		Gasolina	FWD	1798	88	120	10.03-03.07	*
1.8 (QQDC)		Gasolina	FWD	1798	90	122	09.05-03.07	*
1.8 (Q7DA)		Gasolina	FWD	1798	92	125	04.04-03.07	*
1.8 (QQDA)		Gasolina	FWD	1798	92	125	04.04-03.07	*
1.8 (QQDB)		Gasolina	FWD	1798	92	125	04.04-03.07	*
1.8 Flexifuel (Q7DA)		Gasol./Etanol	FWD	1798	92	125	01.06-03.07	*
1.6 TDCi (HHDA)		Diesel	FWD	1560	66	90	02.05-03.07	*
1.6 TDCi (HHDB)		Diesel	FWD	1560	66	90	02.05-03.07	*
1.6 TDCi (G8DA)		Diesel	FWD	1560	80	109	10.03-03.07	*
1.6 TDCi (G8DB)		Diesel	FWD	1560	80	109	10.03-03.07	*
1.6 TDCi (G8DD)		Diesel	FWD	1560	80	109	10.03-03.07	*
1.6 TDCi (G8DE)		Diesel	FWD	1560	80	109	10.03-03.07	*
1.6 TDCi (G8DF)		Diesel	FWD	1560	80	109	10.03-03.07	*
FORD (CHANGAN)								
FOCUS (CD5) 09.05-12.11					[CAMBIADO]:Fastback (Compact car-C Segment)			
1.8		Gasolina	FWD	1798	91	122	08.06-12.11	*
2.0		Gasolina	FWD	1999	104	140	08.06-12.11	*
FOCUS (CD4) 09.05-12.11					Sedán (Compact car-C Segment)			
1.8		Gasolina	FWD	1798	91	124	09.05-12.11	*
2.0		Gasolina	FWD	1999	104	140	09.05-12.11	*
MG (SAIC)								
550 10.08-					Sedán ()			
1.8 (18K4G)		Gasolina	FWD	1796	118	160	10.08-	*
VOLVO								
C30 (533) 09.06-12.13					[CAMBIADO]:Fastback (Compact car-C Segment)			
1.6 (B 4164 S3)		Gasolina	FWD	1596	74	100	10.06-12.12	*
1.8 (B 4184 S11)		Gasolina	FWD	1798	92	125	10.06-12.12	*
2.0 (B 4204 S3)		Gasolina	FWD	1999	107	145	10.06-12.12	*
T5 (B 5254 T3)		Gasolina	FWD	2521	162	220	10.06-12.12	*
T5		Gasolina	FWD	2521	184	250	10.07-12.13	*
1.8 Flexfuel (B 4184 S8)		Gasol./Etanol	FWD	1798	92	125	01.07-12.12	*
2.0 FlexFuel (B 4204 S4)		Gasol./Etanol	FWD	1999	107	146	01.10-12.12	*
Electric (E400V1)		Eléctrico	FWD		82	112	12.10-12.12	*
Electric (E400V1)		Eléctrico	FWD		89	120	12.10-12.12	*
1.6 D (D 4164 T)		Diesel	FWD	1560	80	109	10.06-12.12	*
D2 (D 4162 T)		Diesel	FWD	1560	84	115	10.10-12.12	*
D3 (D 5204 T5)		Diesel	FWD	1984	110	150	10.10-12.12	*
D4 (D 5204 T)		Diesel	FWD	1984	130	177	10.10-12.12	*

LISTA DE APLICACIONES - BUYERS GUIDE

C70 II (542) 03.06-12.13					Cabrio (Pony car-F Segment)			
2.4 (B 5244 S5)		Gasolina	FWD	2435	103	140	03.06-10.09	*
2.4 i (B 5244 S4)		Gasolina	FWD	2435	125	170	03.06-10.09	*
T5 (B 5254 T3)		Gasolina	FWD	2521	162	220	03.06-02.07	*
T5 (B 5254 T7)		Gasolina	FWD	2521	169	230	03.07-06.13	*
D3 (D 5204 T5)		Diesel	FWD	1984	110	150	10.10-06.13	*
D4 (D 5204 T)		Diesel	FWD	1984	130	177	10.10-06.13	*
2.0 D (D 4204 T)		Diesel	FWD	1998	100	136	01.08-10.09	*
2.4 D (D 5244 T9)		Diesel	FWD	2400	120	163	03.07-06.13	*
D5 (D 5244 T13)		Diesel	FWD	2400	132	180	03.06-06.13	*
D5 (D 5244 T8)		Diesel	FWD	2400	132	180	03.06-06.13	*
S40 II (544) 12.03-12.12					Sedán (Compact executive car-D Segment)			
1.6 (B 4164 S3)		Gasolina	FWD	1596	74	101	01.05-12.12	*
1.8 (B 4184 S11)		Gasolina	FWD	1798	92	125	04.04-12.10	*
T5 (B 5254 T3)		Gasolina	FWD	2521	162	220	01.04-12.07	*
T5 AWD (B 5254 T3)		Gasolina	4WD	2521	162	220	04.04-12.07	*
1.8 Flexfuel (B 4184 S8)		Gasol./Etanol	FWD	1798	92	125	01.06-12.10	*
2.0 F (B 4204 S4)		Gasol./Etanol	FWD	1999	107	146	10.09-12.12	*
1.6 D (D 4164 T)		Diesel	FWD	1560	81	110	01.05-12.12	*
D2 (D 4162 T)		Diesel	FWD	1560	84	115	10.10-12.12	*
D3 (D 5204 T5)		Diesel	FWD	1984	110	150	10.10-12.12	*
D4 (D 5204 T)		Diesel	FWD	1984	130	177	10.10-12.12	*
D4 (D 4204 T2)		Diesel	FWD	1998	96	131	07.05-12.06	*
2.0 CDI (D 4204 T2)		Diesel	FWD	1998	98	133	07.05-12.06	*
2.4 CDI (D 5244 T9)		Diesel	FWD	2400	120	163	03.07-12.10	*
V50 (545) 12.03-12.12					[CAMBIADO]:Break (Luxury car-F Segment)			
1.8 Bifuel		Gasol./Gas (LPG)	FWD	1798	93	126	01.09-09.10	*
2.0 FlexFuel (B 4204 S4)		Gasol./Etanol	FWD	1999	107	146	01.10-12.12	*
1.6 D (D 4164 T)		Diesel	FWD	1560	80	109	03.05-12.12	*
D2 (D 4162 T)		Diesel	FWD	1560	84	114	01.10-12.12	*
2.0 D4 (D 4204 T2)		Diesel	FWD	1998	96	131	07.05-12.06	*
2.0 CDI (D 4204 T2)		Diesel	FWD	1998	98	133	12.03-12.06	*