

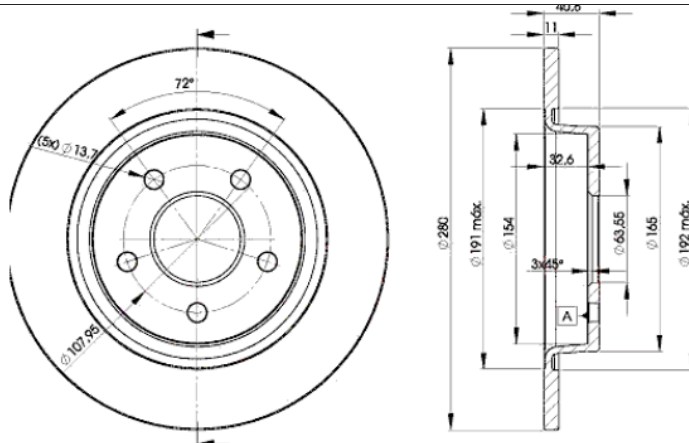
LISTA DE APLICACIONES - BUYERS GUIDE

78RBD23962



Weight: 9.384

O.E.M.	MAKE
1 223 566	FORD
1 223 568	FORD
1 253 962	FORD
1 253 963	FORD
1 323 551	FORD
1 373 361	FORD
1 500 156	FORD
1469081	FORD
2025944	FORD
3 0666 802	VOLVO
3 076 911 3	VOLVO
31341645	VOLVO
31341646	VOLVO
31471039	VOLVO
31499632	VOLVO
3M512A315DA	FORD
3M512A315DB	FORD
3M512A315E1D	FORD
3M512A315EA	FORD
3M512A315EB	FORD
3M512A315EC	FORD
3M512A315ED	FORD
7M512A315BA	FORD
ME7M5J2A315BA	FORD



78RBD23962

E1 90R-02C0415/0088



Ø280x11x41

Sin Filas



Trac.	CC	Kw	CV
-------	----	----	----



Front / Rear

FORD

C-MAX (DM2) 02.07-09.10

MPV (Compact MPV-M1 Segment)

Model	Fuel	Trac.	CC	Kw	CV	Period	Notes
2.0 LPG (SYDA)	Gasol./Gas (LPG)	FWD	1999	107	145	06.08-09.10	*
2.0 CNG (SYDA)	Gasol./Gas (CNG)	FWD	1999	107	145	04.09-09.10	*
1.8 TDCi (KKDA)	Diesel	FWD	1753	85	115	02.07-09.10	*
1.8 TDCi (KKDB)	Diesel	FWD	1753	85	115	02.07-09.10	*

FOCUS II (DA\_, HCP, DP) 07.04-09.13

[CAMBIADO]:Fastback (Compact car-C Segment)

Model	Fuel	Trac.	CC	Kw	CV	Period	Notes
1.4 (ASDA)	Gasolina	FWD	1388	59	80	07.04-09.12	*
1.4 (ASDB)	Gasolina	FWD	1388	59	80	07.04-09.12	*
1.6 (HWDA)	Gasolina	FWD	1596	74	100	07.04-09.12	*
1.6 (HWDB)	Gasolina	FWD	1596	74	100	07.04-09.12	*
1.6 (SHDA)	Gasolina	FWD	1596	74	100	07.04-09.12	*
1.6 (SHDB)	Gasolina	FWD	1596	74	100	07.04-09.12	*
1.6 (SHDC)	Gasolina	FWD	1596	74	100	07.04-09.12	*
1.6 Ti (HXDA)	Gasolina	FWD	1596	85	115	07.04-09.12	*
1.6 Ti (HXDB)	Gasolina	FWD	1596	85	115	07.04-09.12	*
1.6 Ti (SIDA)	Gasolina	FWD	1596	85	115	07.04-09.12	*
1.8 (Q7DA)	Gasolina	FWD	1798	92	125	03.06-09.12	*
1.8 (QQDA)	Gasolina	FWD	1798	92	125	03.06-09.12	*
1.8 (QQDB)	Gasolina	FWD	1798	92	125	03.06-09.12	*
2.0	Gasolina	FWD	1999	104	140	06.05-09.08	*
2.0 (AODA)	Gasolina	FWD	1999	107	145	07.04-09.12	*
2.0 (AODB)	Gasolina	FWD	1999	107	145	07.04-09.12	*

# LISTA DE APLICACIONES - BUYERS GUIDE

2.0 (AODE)		Gasolina	FWD	1999	107	145	07.04-09.12	*	
2.5 ST (HYDA)		Gasolina	FWD	2522	166	225	10.05-09.12	*	
2.0 LPG (SYDA)		Gasol./Gas (LPG)	FWD	1999	107	145	06.08-07.11	*	
2.0 CNG (SYDA)		Gasol./Gas (CNG)	FWD	1999	107	145	04.09-07.11	*	
1.8 Flexifuel (Q7DA)		Gasol./Etanol	FWD	1798	92	125	01.06-09.12	*	
1.8 Flexifuel (QQDA)		Gasol./Etanol	FWD	1798	92	125	01.06-09.12	*	
1.8 Flexifuel (QQDB)		Gasol./Etanol	FWD	1798	92	125	01.06-09.12	*	
1.8 Flexifuel (QQDD)		Gasol./Etanol	FWD	1798	96	131	12.05-01.08	*	
2.0 Flex (SYDA)		Gasol./Etanol	FWD	1999	107	145	10.08-03.10	*	
1.6 TDCi (GPDA)		Diesel	FWD	1560	66	90	01.05-09.12	*	
1.6 TDCi (GPDB)		Diesel	FWD	1560	66	90	01.05-09.12	*	
1.6 TDCi (GPDC)		Diesel	FWD	1560	66	90	01.05-09.12	*	
1.6 TDCi (HHDA)		Diesel	FWD	1560	66	90	01.05-09.12	*	
1.6 TDCi (HHDB)		Diesel	FWD	1560	66	90	01.05-09.12	*	
1.6 TDCi (G8DA)		Diesel	FWD	1560	80	109	07.04-09.12	*	
1.6 TDCi (G8DB)		Diesel	FWD	1560	80	109	07.04-09.12	*	
1.6 TDCi (G8DD)		Diesel	FWD	1560	80	109	07.04-09.12	*	
1.6 TDCi (G8DE)		Diesel	FWD	1560	80	109	07.04-09.12	*	
1.6 TDCi (G8DF)		Diesel	FWD	1560	80	109	07.04-09.12	*	
1.8 TDCi (KKDA)		Diesel	FWD	1753	85	115	01.05-09.12	*	
2.0 TDCi (IXDA)		Diesel	FWD	1997	81	110	02.08-07.11	*	
2.0 TDCi (G6DE)		Diesel	FWD	1997	98	133	07.04-01.08	*	
2.0 TDCi (G6DF)		Diesel	FWD	1997	98	133	07.04-01.08	*	
2.0 TDCi (G6DA)		Diesel	FWD	1997	100	136	07.04-09.12	*	
2.0 TDCi (G6DB)		Diesel	FWD	1997	100	136	07.04-09.12	*	
2.0 TDCi (G6DD)		Diesel	FWD	1997	100	136	07.04-09.12	*	
2.0 TDCi (G6DG)		Diesel	FWD	1997	100	136	07.04-09.12	*	
<b>FOCUS II 07.04-07.11</b>							<b>[CAMBIADO]:Furgón/Break (Compact car-C Segment)</b>		
2.0 TDCi (IXDA)		Diesel	FWD	1997	81	110	06.09-07.11	*	
2.0 TDCi (G6DB)		Diesel	FWD	1997	100	136	09.05-07.11	*	
<b>FOCUS II 10.06-09.10</b>							<b>Cabrio (Compact car-C Segment)</b>		
1.6 (HWDA)		Gasolina	FWD	1596	74	100	10.06-09.10	*	
1.6 (HWDB)		Gasolina	FWD	1596	74	100	10.06-09.10	*	
1.6 (SHDA)		Gasolina	FWD	1596	74	100	10.06-09.10	*	
1.6 (SHDB)		Gasolina	FWD	1596	74	100	10.06-09.10	*	
1.6 (SHDC)		Gasolina	FWD	1596	74	100	10.06-09.10	*	
2.0 (AODA)		Gasolina	FWD	1999	107	145	10.06-09.10	*	
2.0 (AODB)		Gasolina	FWD	1999	107	145	10.06-09.10	*	
2.0 (AODE)		Gasolina	FWD	1999	107	145	10.06-09.10	*	
2.0 (SYDA)		Gasolina	FWD	1999	107	145	10.06-09.10	*	
2.0 TDCi (G6DA)		Diesel	FWD	1997	100	136	10.06-09.10	*	
2.0 TDCi (G6DB)		Diesel	FWD	1997	100	136	10.06-09.10	*	
2.0 TDCi (G6DD)		Diesel	FWD	1997	100	136	10.06-09.10	*	
2.0 TDCi (G6DG)		Diesel	FWD	1997	100	136	10.06-09.10	*	
<b>FOCUS II (DB_, FCH, DH) 04.05-</b>							<b>Sedán (Compact car-C Segment)</b>		
1.4 (ASDA)		Gasolina	FWD	1388	59	80	04.05-09.12	*	

# LISTA DE APLICACIONES - BUYERS GUIDE

1.4 (ASDB)		Gasolina	FWD	1388	59	80	04.05-09.12	*
1.6 (HWDA)		Gasolina	FWD	1596	74	100	04.05-09.12	*
1.6 (HWDB)		Gasolina	FWD	1596	74	100	04.05-09.12	*
1.6 (SHDA)		Gasolina	FWD	1596	74	100	04.05-09.12	*
1.6 (SHDB)		Gasolina	FWD	1596	74	100	04.05-09.12	*
1.6 (SHDC)		Gasolina	FWD	1596	74	100	04.05-09.12	*
1.6 Ti (HXDA)		Gasolina	FWD	1596	85	115	04.05-09.12	*
1.6 Ti (HXDB)		Gasolina	FWD	1596	85	115	04.05-09.12	*
1.6 Ti (SIDA)		Gasolina	FWD	1596	85	115	04.05-09.12	*
1.8 (Q7DA)		Gasolina	FWD	1798	92	125	03.06-09.12	*
1.8 (QQDA)		Gasolina	FWD	1798	92	125	03.06-09.12	*
1.8 (QQDB)		Gasolina	FWD	1798	92	125	03.06-09.12	*
2.0 (AODA)		Gasolina	FWD	1999	107	145	04.05-07.11	*
2.0 (AODB)		Gasolina	FWD	1999	107	145	04.05-07.11	*
2.0 (AODE)		Gasolina	FWD	1999	107	145	04.05-07.11	*
2.0 (SYDA)		Gasolina	FWD	1999	107	145	04.05-07.11	*
1.8 Flexifuel (Q7DA)		Gasol./Etanol	FWD	1798	92	125	06.06-07.11	*
1.8 Flexifuel (QQDA)		Gasol./Etanol	FWD	1798	92	125	06.06-07.11	*
1.8 Flexifuel (QQDB)		Gasol./Etanol	FWD	1798	92	125	06.06-07.11	*
1.8 Flexifuel		Gasol./Etanol	FWD	1798	96	131	12.05-01.08	*
1.6 TDCi (GPDA)		Diesel	FWD	1560	66	90	04.05-09.12	*
1.6 TDCi (GPDB)		Diesel	FWD	1560	66	90	04.05-09.12	*
1.6 TDCi (GPDC)		Diesel	FWD	1560	66	90	04.05-09.12	*
1.6 TDCi (HHDA)		Diesel	FWD	1560	66	90	04.05-09.12	*
1.6 TDCi (HHDB)		Diesel	FWD	1560	66	90	04.05-09.12	*
1.6 TDCi (G8DA)		Diesel	FWD	1560	80	109	04.05-09.12	*
1.6 TDCi (G8DB)		Diesel	FWD	1560	80	109	04.05-09.12	*
1.6 TDCi (G8DD)		Diesel	FWD	1560	80	109	04.05-09.12	*
1.6 TDCi (G8DE)		Diesel	FWD	1560	80	109	04.05-09.12	*
1.6 TDCi (G8DF)		Diesel	FWD	1560	80	109	04.05-09.12	*
1.8 TDCi (KKDA)		Diesel	FWD	1753	85	115	04.05-09.12	*
2.0 TDCi (IXDA)		Diesel	FWD	1997	81	110	02.08-07.11	*
2.0 TDCi (G6DA)		Diesel	FWD	1997	100	136	04.05-09.12	*
2.0 TDCi (G6DB)		Diesel	FWD	1997	100	136	04.05-09.12	*
2.0 TDCi (G6DD)		Diesel	FWD	1997	100	136	04.05-09.12	*
2.0 TDCi (G6DG)		Diesel	FWD	1997	100	136	04.05-09.12	*
<b>FOCUS II Turnier (DA_, FFS, DS) 07.04-09.12</b>							<b>[CAMBIADO]:Break (Compact car-C Segment)</b>	
1.4 (ASDA)		Gasolina	FWD	1388	59	80	07.04-09.12	*
1.4 (ASDB)		Gasolina	FWD	1388	59	80	07.04-09.12	*
1.6 (HWDA)		Gasolina	FWD	1596	74	100	07.04-07.11	*
1.6 (HWDB)		Gasolina	FWD	1596	74	100	07.04-07.11	*
1.6 (SHDA)		Gasolina	FWD	1596	74	100	07.04-07.11	*
1.6 (SHDB)		Gasolina	FWD	1596	74	100	07.04-07.11	*
1.6 (SHDC)		Gasolina	FWD	1596	74	100	07.04-07.11	*
1.6 Ti (HXDA)		Gasolina	FWD	1596	85	115	07.04-09.12	*
1.6 Ti (HXDB)		Gasolina	FWD	1596	85	115	07.04-09.12	*
1.6 Ti (SIDA)		Gasolina	FWD	1596	85	115	07.04-09.12	*
1.8 (Q7DA)		Gasolina	FWD	1798	92	125	03.06-09.12	*
1.8 (QQDA)		Gasolina	FWD	1798	92	125	03.06-09.12	*

# LISTA DE APLICACIONES - BUYERS GUIDE

1.8 (QQDB)		Gasolina	FWD	1798	92	125	03.06-09.12	*
1.8 Flexifuel		Gasolina	FWD	1798	97	132	12.05-01.08	*
2.0 (AODA)		Gasolina	FWD	1999	107	145	07.04-09.12	*
2.0 (AODB)		Gasolina	FWD	1999	107	145	07.04-09.12	*
2.0 (AODE)		Gasolina	FWD	1999	107	145	07.04-09.12	*
2.0 (SYDA)		Gasolina	FWD	1999	107	145	07.04-09.12	*
2.0 LPG (SYDA)		Gasol./Gas (LPG)	FWD	1999	107	145	06.08-07.11	*
1.8 Flexifuel (Q7DA)		Gasol./Etanol	FWD	1798	92	125	01.06-09.12	*
1.8 Flexifuel (QQDA)		Gasol./Etanol	FWD	1798	92	125	01.06-09.12	*
1.8 Flexifuel (QQDB)		Gasol./Etanol	FWD	1798	92	125	01.06-09.12	*
1.6 TDCi (GPDA)		Diesel	FWD	1560	66	90	07.04-09.12	*
1.6 TDCi (GPDB)		Diesel	FWD	1560	66	90	07.04-09.12	*
1.6 TDCi (GPDC)		Diesel	FWD	1560	66	90	07.04-09.12	*
1.6 TDCi (HHDA)		Diesel	FWD	1560	66	90	07.04-09.12	*
1.6 TDCi (HHDB)		Diesel	FWD	1560	66	90	07.04-09.12	*
1.6 TDCi (G8DA)		Diesel	FWD	1560	80	109	07.04-09.12	*
1.6 TDCi (G8DB)		Diesel	FWD	1560	80	109	07.04-09.12	*
1.6 TDCi (G8DD)		Diesel	FWD	1560	80	109	07.04-09.12	*
1.6 TDCi (G8DE)		Diesel	FWD	1560	80	109	07.04-09.12	*
1.6 TDCi (G8DF)		Diesel	FWD	1560	80	109	07.04-09.12	*
1.8 TDCi (KKDA)		Diesel	FWD	1753	85	115	07.04-09.12	*
2.0 TDCi (IXDA)		Diesel	FWD	1997	81	110	02.08-07.11	*
2.0 TDCi (G6DE)		Diesel	FWD	1997	98	133	07.04-01.08	*
2.0 TDCi (G6DF)		Diesel	FWD	1997	98	133	07.04-01.08	*
2.0 TDCi (G6DA)		Diesel	FWD	1997	100	136	07.04-09.12	*
2.0 TDCi (G6DB)		Diesel	FWD	1997	100	136	07.04-09.12	*
2.0 TDCi (G6DD)		Diesel	FWD	1997	100	136	07.04-09.12	*
2.0 TDCi (G6DG)		Diesel	FWD	1997	100	136	07.04-09.12	*
<b>FOCUS C-MAX (DM2) 10.03-03.07</b>							<b>MPV (Compact MPV-M1 Segment)</b>	
1.6 (HWDA)		Gasolina	FWD	1596	74	100	10.03-03.07	*
1.6 (HWDB)		Gasolina	FWD	1596	74	100	10.03-03.07	*
1.6 (SHDA)		Gasolina	FWD	1596	74	100	10.03-03.07	*
1.6 (SHDB)		Gasolina	FWD	1596	74	100	10.03-03.07	*
1.6 (SHDC)		Gasolina	FWD	1596	74	100	10.03-03.07	*
1.6 Ti (HXDA)		Gasolina	FWD	1596	85	115	08.04-03.07	*
1.6 Ti (SIDA)		Gasolina	FWD	1596	85	115	08.04-03.07	*
1.8 (CSDA)		Gasolina	FWD	1798	88	120	10.03-03.07	*
1.8 (CSDB)		Gasolina	FWD	1798	88	120	10.03-03.07	*
1.8 (Q7DA)		Gasolina	FWD	1798	92	125	04.04-03.07	*
1.8 (QQDA)		Gasolina	FWD	1798	92	125	04.04-03.07	*
1.8 (QQDB)		Gasolina	FWD	1798	92	125	04.04-03.07	*
2.0 (AODA)		Gasolina	FWD	1999	107	145	03.04-03.07	*
2.0 (AODB)		Gasolina	FWD	1999	107	145	03.04-03.07	*
2.0 (AODE)		Gasolina	FWD	1999	107	145	03.04-03.07	*
2.0 (SYDA)		Gasolina	FWD	1999	107	145	03.04-03.07	*
1.8 Flexifuel (Q7DA)		Gasol./Etanol	FWD	1798	92	125	01.06-03.07	*
1.6 TDCi (HHDA)		Diesel	FWD	1560	66	90	02.05-03.07	*
1.6 TDCi (HHDB)		Diesel	FWD	1560	66	90	02.05-03.07	*
1.6 TDCi (G8DA)		Diesel	FWD	1560	80	109	10.03-03.07	*

# LISTA DE APLICACIONES - BUYERS GUIDE

1.6 TDCi (G8DB)		Diesel	FWD	1560	80	109	10.03-03.07	*
1.6 TDCi (G8DD)		Diesel	FWD	1560	80	109	10.03-03.07	*
1.6 TDCi (G8DE)		Diesel	FWD	1560	80	109	10.03-03.07	*
1.6 TDCi (G8DF)		Diesel	FWD	1560	80	109	10.03-03.07	*
1.8 TDCi (KKDA)		Diesel	FWD	1753	85	115	01.05-03.07	*
1.8 TDCi (KKDB)		Diesel	FWD	1753	85	115	01.05-03.07	*
2.0 TDCi (G6DC)		Diesel	FWD	1997	98	133	10.03-03.07	*
2.0 TDCi (G6DE)		Diesel	FWD	1997	98	133	10.03-03.07	*
2.0 TDCi (G6DF)		Diesel	FWD	1997	98	133	10.03-03.07	*
2.0 TDCi (G6DA)		Diesel	FWD	1997	100	136	10.03-03.07	*
2.0 TDCi (G6DB)		Diesel	FWD	1997	100	136	10.03-03.07	*
2.0 TDCi (G6DD)		Diesel	FWD	1997	100	136	10.03-03.07	*
2.0 TDCi (G6DG)		Diesel	FWD	1997	100	136	10.03-03.07	*
<b>VOLVO</b>								
<b>C30 (533) 09.06-12.13</b>				<b>[CAMBIADO]:Fastback (Compact car-C Segment)</b>				
1.6 (B 4164 S3)		Gasolina	FWD	1596	74	100	10.06-12.12	*
1.8 (B 4184 S11)		Gasolina	FWD	1798	92	125	10.06-12.12	*
2.0 (B 4204 S3)		Gasolina	FWD	1999	107	145	10.06-12.12	*
2.4 i (B 5244 S4)		Gasolina	FWD	2435	125	170	10.06-12.12	*
T5 (B 5254 T3)		Gasolina	FWD	2521	162	220	10.06-12.12	*
T5 (B 5254 T7)		Gasolina	FWD	2521	169	230	03.07-12.12	*
T5		Gasolina	FWD	2521	184	250	10.07-12.13	*
1.8 Flexfuel (B 4184 S8)		Gasol./Etanol	FWD	1798	92	125	01.07-12.12	*
2.0 FlexFuel (B 4204 S4)		Gasol./Etanol	FWD	1999	107	146	01.10-12.12	*
Electric (E400V1)		Eléctrico	FWD		82	112	12.10-12.12	*
Electric (E400V1)		Eléctrico	FWD		89	120	12.10-12.12	*
1.6 D (D 4164 T)		Diesel	FWD	1560	80	109	10.06-12.12	*
D2 (D 4162 T)		Diesel	FWD	1560	84	115	10.10-12.12	*
D3 (D 5204 T5)		Diesel	FWD	1984	110	150	10.10-12.12	*
D4 (D 5204 T)		Diesel	FWD	1984	130	177	10.10-12.12	*
2.0 D (D 4204 T)		Diesel	FWD	1998	100	136	10.06-12.12	*
D5 (D 5244 T9)		Diesel	FWD	2400	120	163	10.06-12.12	*
D5 (D 5244 T13)		Diesel	FWD	2400	132	180	10.06-12.12	*
D5 (D 5244 T8)		Diesel	FWD	2400	132	180	10.06-12.12	*
<b>C70 II (542) 03.06-12.13</b>				<b>Cabrio (Pony car-F Segment)</b>				
2.4 (B 5244 S5)		Gasolina	FWD	2435	103	140	03.06-10.09	*
2.4 i (B 5244 S4)		Gasolina	FWD	2435	125	170	03.06-10.09	*
T5 (B 5254 T3)		Gasolina	FWD	2521	162	220	03.06-02.07	*
T5 (B 5254 T7)		Gasolina	FWD	2521	169	230	03.07-06.13	*
D3 (D 5204 T5)		Diesel	FWD	1984	110	150	10.10-06.13	*
D4 (D 5204 T)		Diesel	FWD	1984	130	177	10.10-06.13	*
2.0 D (D 4204 T)		Diesel	FWD	1998	100	136	01.08-10.09	*
2.4 D (D 5244 T9)		Diesel	FWD	2400	120	163	03.07-06.13	*
D5 (D 5244 T13)		Diesel	FWD	2400	132	180	03.06-06.13	*
D5 (D 5244 T8)		Diesel	FWD	2400	132	180	03.06-06.13	*
<b>S40 II (544) 12.03-12.12</b>				<b>Sedán (Compact executive car-D Segment)</b>				
1.6 (B 4164 S3)		Gasolina	FWD	1596	74	101	01.05-12.12	*
1.8 (B 4184 S11)		Gasolina	FWD	1798	92	125	04.04-12.10	*
2.0 (B 4204 S3)		Gasolina	FWD	1999	107	146	10.06-12.12	*

# LISTA DE APLICACIONES - BUYERS GUIDE

2.4 (B 5244 S5)		Gasolina	FWD	2435	103	140	01.04-12.10	*	
2.4 (B 5244 S4)		Gasolina	FWD	2435	125	170	01.04-12.12	*	
2.4 AWD		Gasolina	4WD	2435	125	170	08.06-12.12	*	
T5 (B 5254 T3)		Gasolina	FWD	2521	162	220	01.04-12.07	*	
T5 AWD (B 5254 T3)		Gasolina	4WD	2521	162	220	04.04-12.07	*	
T5 (B 5254 T7)		Gasolina	FWD	2521	169	230	03.07-12.12	*	
T5 AWD (B 5254 T7)		Gasolina	4WD	2521	169	230	03.07-12.10	*	
1.8 Flexfuel (B 4184 S8)		Gasol./Etanol	FWD	1798	92	125	01.06-12.10	*	
2.0 F (B 4204 S4)		Gasol./Etanol	FWD	1999	107	146	10.09-12.12	*	
1.6 D (D 4164 T)		Diesel	FWD	1560	81	110	01.05-12.12	*	
D2 (D 4162 T)		Diesel	FWD	1560	84	115	10.10-12.12	*	
D3 (D 5204 T5)		Diesel	FWD	1984	110	150	10.10-12.12	*	
D4 (D 5204 T)		Diesel	FWD	1984	130	177	10.10-12.12	*	
D4 (D 4204 T2)		Diesel	FWD	1998	96	131	07.05-12.06	*	
2.0 CDI (D 4204 T2)		Diesel	FWD	1998	98	133	07.05-12.06	*	
2.0 D (D 4204 T)		Diesel	FWD	1998	100	136	01.04-12.10	*	
2.4 CDI (D 5244 T9)		Diesel	FWD	2400	120	163	03.07-12.10	*	
D5 (D 5244 T13)		Diesel	FWD	2400	132	179	03.06-12.10	*	
D5 (D 5244 T8)		Diesel	FWD	2400	132	179	03.06-12.10	*	
<b>V40 (526) 10.12-08.19</b>							<b>[CAMBIADO]:Fastback (Compact executive car-D Segment)</b>		
T3		Gasolina	FWD	1498	112	152	04.15-08.19	*	
T4 GTDi		Gasolina	FWD	1596	132	180	10.12-12.16	*	
T3		Gasolina	FWD	1969	112	152	02.15-08.19	*	
T4		Gasolina	FWD	1969	140	190	08.15-08.19	*	
T4 AWD (B 4204 T21)		Gasolina	4WD	1969	140	190	05.14-08.19	*	
T5 AWD (B 4204 T11)		Gasolina	4WD	1969	180	245	05.14-08.19	*	
T5 AWD (B 4204 T41)		Gasolina	4WD	1969	180	245	05.14-08.19	*	
T5 Polestar AWD (B 4204 T11)		Gasolina	4WD	1969	186	253	01.15-08.19	*	
T4		Gasolina	FWD	1984	132	180	10.13-12.15	*	
T4 AWD (B 5204 T8)		Gasolina	4WD	1984	132	180	07.13-12.15	*	
T5		Gasolina	FWD	1984	157	214	02.13-12.15	*	
T5 AWD (B 5204 T9)		Gasolina	4WD	1984	157	214	03.13-12.15	*	
T5		Gasolina	FWD	2497	183	249	01.14-12.15	*	
T5 AWD		Gasolina	4WD	2497	183	249	01.14-12.15	*	
T5		Gasolina	FWD	2497	187	254	10.12-12.16	*	
T5 AWD (B 5254 T12)		Gasolina	4WD	2497	187	254	10.12-12.16	*	
D2		Diesel	FWD	1560	84	114	10.12-12.16	*	
D2		Diesel	FWD	1969	88	120	02.15-08.19	*	
D3		Diesel	FWD	1969	110	150	04.15-08.19	*	
D4		Diesel	FWD	1969	140	190	05.14-08.19	*	
D4 Polestar		Diesel	FWD	1969	147	200	05.14-08.19	*	
D3		Diesel	FWD	1984	110	150	10.12-03.15	*	
D4		Diesel	FWD	1984	130	177	10.12-12.14	*	
<b>V40 (526) 09.13-12.15</b>							<b>Furgón/hatchback (Compact executive car-D Segment)</b>		
1.6 D2/ DRIVe		Diesel	FWD	1560	84	114	09.13-12.15	*	
2.0 D3		Diesel	FWD	1984	110	150	09.13-12.15	*	
2.0 D4		Diesel	FWD	1984	130	177	09.13-12.14	*	
<b>V40 II (525) 03.12-</b>							<b>[CAMBIADO]:Fastback (Compact executive car-D Segment)</b>		
T2 (B 4154 T3)		Gasolina	FWD	1498	90	122	02.15-08.19	*	

# LISTA DE APLICACIONES - BUYERS GUIDE

T2 (B 4154 T5)		Gasolina	FWD	1498	90	122	02.15-08.19	*
T3 (B 4154 T2)		Gasolina	FWD	1498	112	152	02.15-08.19	*
T3 (B 4154 T4)		Gasolina	FWD	1498	112	152	02.15-08.19	*
T2 GTDi (B 4164 T4)		Gasolina	FWD	1596	88	120	04.13-12.16	*
T3 GTDi (B 4164 T3)		Gasolina	FWD	1596	110	150	03.12-12.16	*
T4 GTDi (B 4164 T)		Gasolina	FWD	1596	132	180	03.12-12.16	*
T4 (B 4164 T)		Gasolina	FWD	1596	147	200	04.14-12.15	*
T2 (B 4204 T17)		Gasolina	FWD	1969	90	122	02.15-08.19	*
T2 (B 4204 T38)		Gasolina	FWD	1969	90	122	02.15-08.19	*
T3 (B 4204 T33)		Gasolina	FWD	1969	112	152	02.15-08.19	*
T3 (B 4204 T37)		Gasolina	FWD	1969	112	152	02.15-08.19	*
T4 (B 4204 T19)		Gasolina	FWD	1969	140	190	08.15-08.19	*
T5 (B 4204 T11)		Gasolina	FWD	1969	180	245	05.14-08.19	*
T5 (B 4204 T41)		Gasolina	FWD	1969	180	245	05.14-08.19	*
T5 Drive-E Polestar (B 4204 T11)		Gasolina	FWD	1969	186	253	05.14-08.19	*
T4 (B 5204 T8)		Gasolina	FWD	1984	132	180	07.13-12.15	*
T5 (B 5204 T9)		Gasolina	FWD	1984	157	214	03.13-12.15	*
T5 (B 5254 T14)		Gasolina	FWD	2497	183	249	01.14-12.14	*
T5 (B 5254 T12)		Gasolina	FWD	2497	187	254	12.12-12.14	*
D2 (D 4162 T)		Diesel	FWD	1560	84	114	03.12-12.16	*
D2 (D 4204 T13)		Diesel	FWD	1969	88	120	02.15-08.19	*
D2 (D 4204 T8)		Diesel	FWD	1969	88	120	02.15-08.19	*
D3 (D 4204 T16)		Diesel	FWD	1969	110	150	04.15-08.19	*
D3 (D 4204 T9)		Diesel	FWD	1969	110	150	04.15-08.19	*
D4 (D 4204 T14)		Diesel	FWD	1969	140	190	05.14-08.19	*
D4 Polestar (D 4204 T14)		Diesel	FWD	1969	147	200	05.14-08.19	*
D3 (D 5204 T6)		Diesel	FWD	1984	110	150	03.12-03.15	*
D4 (D 5204 T4)		Diesel	FWD	1984	130	177	03.12-12.14	*
<b>V40 II (525) 09.13-12.15</b>							<b>Furgón/hatchback (Compact executive car-D Segment)</b>	
1.6 D2/ DRIVe (D 4162 T)		Diesel	FWD	1560	84	114	09.13-12.15	*
2.0 D3 (D 5204 T6)		Diesel	FWD	1984	110	150	09.13-12.15	*
2.0 D4 (D 5204 T4)		Diesel	FWD	1984	130	177	09.13-12.14	*
<b>V50 (545) 12.03-12.12</b>							<b>[CAMBIADO]:Break (Luxury car-F Segment)</b>	
1.6 (B 4164 S3)		Gasolina	FWD	1596	74	101	01.05-12.12	*
1.8 (B 4184 S11)		Gasolina	FWD	1798	92	125	04.04-12.10	*
2.0 (B 4204 S3)		Gasolina	FWD	1999	107	146	10.06-12.12	*
2.4 (B 5244 S5)		Gasolina	FWD	2435	103	140	04.04-12.10	*
2.4 (B 5244 S4)		Gasolina	FWD	2435	125	170	04.04-12.10	*
2.4 AWD (B 5244 S4)		Gasolina	4WD	2435	125	170	08.06-12.09	*
T5 (B 5254 T3)		Gasolina	FWD	2521	162	220	04.04-12.07	*
T5 AWD (B 5254 T3)		Gasolina	4WD	2521	162	220	04.04-12.07	*
T5 (B 5254 T7)		Gasolina	FWD	2521	169	230	03.07-12.12	*
T5 AWD (B 5254 T7)		Gasolina	4WD	2521	169	230	03.07-12.10	*
1.8 Bifuel		Gasol./Gas (LPG)	FWD	1798	93	126	01.09-09.10	*
1.8 Flexfuel (B 4184 S8)		Gasol./Etanol	FWD	1798	92	125	01.05-12.10	*
2.0 FlexFuel (B 4204 S4)		Gasol./Etanol	FWD	1999	107	146	01.10-12.12	*
1.6 D (D 4164 T)		Diesel	FWD	1560	80	109	03.05-12.12	*
1.6 D (D 4164 T)		Diesel	FWD	1560	81	110	01.05-12.11	*
D2 (D 4162 T)		Diesel	FWD	1560	84	114	01.10-12.12	*

# LISTA DE APLICACIONES - BUYERS GUIDE

D3 (D 5204 T5)	Diesel	FWD	1984	110	150	10.10-12.12	*
D4 (D 5204 T)	Diesel	FWD	1984	130	177	10.10-12.12	*
2.0 D4 (D 4204 T2)	Diesel	FWD	1998	96	131	07.05-12.06	*
2.0 CDI (D 4204 T2)	Diesel	FWD	1998	98	133	12.03-12.06	*
2.0 D (D 4204 T)	Diesel	FWD	1998	100	136	04.04-12.10	*
2.4 TDi (D 5244 T9)	Diesel	FWD	2400	120	163	05.07-12.10	*
D5 (D 5244 T13)	Diesel	FWD	2400	132	179	03.06-12.10	*
D5 (D 5244 T8)	Diesel	FWD	2400	132	179	03.06-12.10	*
<b>VOLVO (CHANGAN)</b>							
<b>S40 06.06-</b>				<b>Sedán (Compact car-C Segment)</b>			
2.4	Gasolina	FWD	2435	125	170	06.06-12.11	*
2.5	Gasolina	FWD	2521	162	220	06.06-12.10	*