

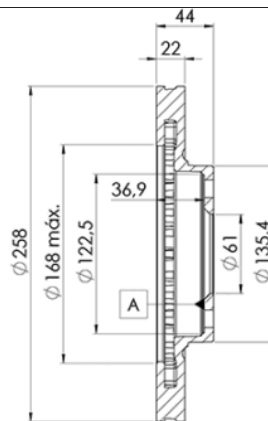
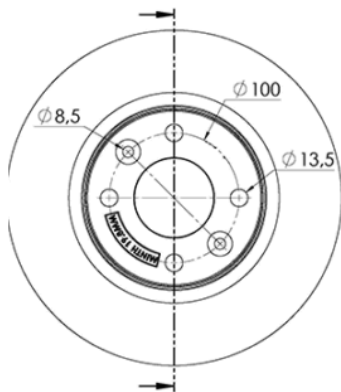
LISTA DE APLICACIONES - BUYERS GUIDE

**78RBD23108**



Weight: 9.832

O.E.M.	MAKE
40 20 622 12R	RENAULT
40 20 631 49R	RENAULT
40 20 668 39R	RENAULT
402065054R	DACIA
402067615R	RENAULT
402069119R	RENAULT
4534200100	SMART
A4534200100	SMART



**78RBD23108**

**E1 90R-02C0538/0116**



Ø258x22x44

Sin Filas



Trac.	CC	Kw	CV
-------	----	----	----



Front / Rear

**DACIA**

**LOGAN II (L52) 10.12-**

**Sedán (Compact car-C Segment)**

TCe 90 (L8MA, L8M1, L8AC) (H4B 400)	Gasolina	FWD	898	66	90	10.12-	*
TCe 90 (L8MA, L8M1, L8AC) (H4B 408)	Gasolina	FWD	898	66	90	10.12-	*
1.0 SCe 75 (B4D 400)	Gasolina	FWD	998	54	73	01.17-	*
1.0 SCe 75 (B4D 401)	Gasolina	FWD	998	54	73	01.17-	*
1.0 TCe 100 (H4D 450)	Gasolina	FWD	999	74	101	11.19-	*
1.0 TCe 100 (H4D 460)	Gasolina	FWD	999	74	101	11.19-	*
1.6 (K7M 812)	Gasolina	FWD	1598	63	86	06.13-08.16	*
1.6 16V (K4M 842)	Gasolina	FWD	1598	77	105	01.13-	*
TCe 90 LPG (H4B 405)	Gasol./Gas (LPG)	FWD	898	66	90	09.15-	*
TCe 90 LPG (H4B 410)	Gasol./Gas (LPG)	FWD	898	66	90	09.15-	*
1.0 LPG (H4D 450)	Gasol./Gas (LPG)	FWD	999	74	101	11.19-	*
1.0 LPG (H4D 460)	Gasol./Gas (LPG)	FWD	999	74	101	11.19-	*
1.2 LPG (D4F 734)	Gasol./Gas (LPG)	FWD	1149	53	72	02.13-	*
1.2 LPG (D4F 734)	Gasol./Gas (LPG)	FWD	1149	55	75	10.12-	*
1.5 dCi / Blue dCi 75 (K9K 612)	Diesel	FWD	1461	55	75	10.12-	*
1.5 dCi / Blue dCi 75 (K9K 626)	Diesel	FWD	1461	55	75	10.12-	*
1.5 dCi / Blue dCi 75 (K9K 872)	Diesel	FWD	1461	55	75	10.12-	*
1.5 dCi (K9K 830)	Diesel	FWD	1461	63	84	01.13-	*
1.5 dCi (K9K 838)	Diesel	FWD	1461	63	84	01.13-	*
1.5 dCi (K9K 612)	Diesel	FWD	1461	66	90	10.12-	*

# LISTA DE APLICACIONES - BUYERS GUIDE

1.5 dCi (K9K 626)		Diesel	FWD	1461	66	90	10.12-	*
1.5 Blue dCi 95 (L8JL) (K9K 872)		Diesel	FWD	1461	70	95	05.18-	*
<b>[CAMBIADO]:Break (Compact car-C Segment)</b>								
<b>LOGAN II MCV (K52) 02.13-</b>								
TCe 90 (K8M1, K8MA, K8AC) (H4B 400)		Gasolina	FWD	898	66	90	02.13-	*
TCe 90 (K8M1, K8MA, K8AC) (H4B 408)		Gasolina	FWD	898	66	90	02.13-	*
1.0 SCe 75 (B4D 400)		Gasolina	FWD	998	54	73	12.16-	*
1.0 SCe 75 (B4D 401)		Gasolina	FWD	998	54	73	12.16-	*
1.0 TCe 100 (H4D 450)		Gasolina	FWD	999	74	101	11.19-	*
1.0 TCe 100 (H4D 460)		Gasolina	FWD	999	74	101	11.19-	*
1.2 (D4F 732)		Gasolina	FWD	1149	54	73	05.15-	*
1.2 (D4F 732)		Gasolina	FWD	1149	55	75	02.13-	*
1.6 (K7M 812)		Gasolina	FWD	1598	62	84	06.13-	*
TCe 90 LPG (H4B 405)		Gasol./Gas (LPG)	FWD	898	66	90	09.15-	*
TCe 90 LPG (H4B 410)		Gasol./Gas (LPG)	FWD	898	66	90	09.15-	*
1.0 LPG (K8ML) (H4D 450)		Gasol./Gas (LPG)	FWD	999	74	101	11.19-	*
1.0 LPG (K8ML) (H4D 460)		Gasol./Gas (LPG)	FWD	999	74	101	11.19-	*
1.2 LPG (D4F 734)		Gasol./Gas (LPG)	FWD	1149	53	72	02.13-	*
1.2 LPG (D4F 734)		Gasol./Gas (LPG)	FWD	1149	55	75	02.13-	*
1.5 dCi (K9K 612)		Diesel	FWD	1461	55	75	02.13-	*
1.5 dCi (K9K 626)		Diesel	FWD	1461	55	75	02.13-	*
1.5 dCi (K9K 830)		Diesel	FWD	1461	63	84	02.13-	*
1.5 dCi (K9K 838)		Diesel	FWD	1461	63	84	02.13-	*
1.5 dCi (K9K 612)		Diesel	FWD	1461	66	90	02.13-	*
1.5 dCi (K9K 626)		Diesel	FWD	1461	66	90	02.13-	*
1.5 Blue dCi 95 (K8JL) (K9K 872)		Diesel	FWD	1461	70	95	10.18-	*
<b>[CAMBIADO]:Fastback (Compact car-C Segment)</b>								
<b>SANDERO II (B8_) 10.12-</b>								
TCe 90 (B8M1, B8MA, B8AC) (H4B 400)		Gasolina	FWD	898	66	90	10.12-	*
1.0 SCe 75 (B8JC, B8JD, B8NC) (B4D 400)		Gasolina	FWD	999	54	73	12.16-09.20	*
1.0 SCe 75 (B8JC, B8JD, B8NC) (B4D 401)		Gasolina	FWD	999	54	73	12.16-09.20	*
1.0 TCe 100 (B8ML) (H4D 450)		Gasolina	FWD	999	74	101	11.19-	*
1.0 TCe 100 (B8ML) (H4D 460)		Gasolina	FWD	999	74	101	11.19-	*
1.6		Gasolina	FWD	1598	63	86	11.12-	*
TCe 90 LPG (B8M1)		Gasol./Gas (LPG)	FWD	898	66	90	09.15-	*
1.0 LPG (B8ML) (H4D 450)		Gasol./Gas (LPG)	FWD	999	74	101	11.19-	*
1.0 LPG (B8ML) (H4D 460)		Gasol./Gas (LPG)	FWD	999	74	101	11.19-	*
1.5 dCi 75 / Blue dCi 75 (B8JW, B8M4, B8AH, B8M7, B8M6) (K9K 612)		Diesel	FWD	1461	55	75	10.12-	*
1.5 dCi 75 / Blue dCi 75 (B8JW, B8M4, B8AH, B8M7, B8M6) (K9K 626)		Diesel	FWD	1461	55	75	10.12-	*
1.5 dCi 75 / Blue dCi 75 (B8JW, B8M4, B8AH, B8M7, B8M6) (K9K 838)		Diesel	FWD	1461	55	75	10.12-	*
1.5 dCi 75 / Blue dCi 75 (B8JW, B8M4, B8AH, B8M7, B8M6) (K9K 872)		Diesel	FWD	1461	55	75	10.12-	*
1.5 dCi (K9K 830)		Diesel	FWD	1461	63	84	01.13-	*
1.5 dCi (K9K 612)		Diesel	FWD	1461	66	90	10.12-	*
1.5 dCi (K9K 626)		Diesel	FWD	1461	66	90	10.12-	*
1.5 Blue dCi 95 (B8JL) (K9K 872)		Diesel	FWD	1461	70	95	08.18-	*

**RENAULT**

# LISTA DE APLICACIONES - BUYERS GUIDE

					[CAMBIADO]:Fastback (Supermini car-B Segment)				
<b>CLIO IV (BH_) 11.12-</b>									
0.9 TCe 90 (BHNF, BHMA, BHMH, BHJK, BHJR) (H4B 400)	Gasolina	FWD	898	66	90	11.12-08.21	*		
0.9 TCe 90 (BHNF, BHMA, BHMH, BHJK, BHJR) (H4B 408)	Gasolina	FWD	898	66	90	11.12-08.21	*		
1.2 16V (D4F 728)	Gasolina	FWD	1149	54	73	11.12-08.21	*		
1.2 16V (D4F 740)	Gasolina	FWD	1149	54	73	11.12-08.21	*		
1.2 TCe 120 (BHAU) (H5F 408)	Gasolina	FWD	1197	87	118	01.16-08.21	*		
1.2 TCe 120 (BHAU) (H5F 412)	Gasolina	FWD	1197	87	118	01.16-08.21	*		
1.2 TCe 120 (BHM0) (H5F 403)	Gasolina	FWD	1197	88	120	03.13-08.21	*		
1.6 RS (BHJ4, BHJ6, BHMM) (M5M 400)	Gasolina	FWD	1618	147	200	03.13-08.21	*		
1.6 RS (BHJ4, BHJ6, BHMM) (M5M 401)	Gasolina	FWD	1618	147	200	03.13-08.21	*		
1.6 RS (BHJ4, BHJ6, BHMM) (M5M 450)	Gasolina	FWD	1618	147	200	03.13-08.21	*		
1.6 RS Trophy (BHJ4, BHJ6) (M5M 401)	Gasolina	FWD	1618	162	220	03.15-08.21	*		
0.9 TCe 90 LPG (H4B 410)	Gasol./Gas (LPG)	FWD	898	66	90	06.16-08.21	*		
1.2 LPG 16V (D4F 740)	Gasol./Gas (LPG)	FWD	1149	54	73	11.12-06.15	*		
1.0 Campus Flex	Gasol./Etanol	FWD	999	59	80	11.12-	*		
1.5 dCi 75 (BHN3) (K9K 612)	Diesel	FWD	1461	55	75	11.12-08.21	*		
1.5 dCi 75 (BHN3) (K9K 628)	Diesel	FWD	1461	55	75	11.12-08.21	*		
1.5 dCi 90 (BHAL, BHAJ, BHN4) (K9K 608)	Diesel	FWD	1461	66	90	11.12-08.21	*		
1.5 dCi 90 (BHAL, BHAJ, BHN4) (K9K 628)	Diesel	FWD	1461	66	90	11.12-08.21	*		
1.5 dCi 90 (BHAL, BHAJ, BHN4) (K9K 638)	Diesel	FWD	1461	66	90	11.12-08.21	*		
1.5 dCi 110 (K9K 646)	Diesel	FWD	1461	81	110	06.16-08.21	*		
<b>CLIO IV (BH_) 01.14-</b>					<b>Furgón/hatchback (LCVs-N1 Segment)</b>				
0.9 TCe 75	Gasolina	FWD	898	56	76	01.14-08.21	*		
0.9 TCe 90 (H4B 400)	Gasolina	FWD	898	66	90	01.14-08.21	*		
0.9 TCe 90 (H4B 408)	Gasolina	FWD	898	66	90	01.14-08.21	*		
1.2 16V	Gasolina	FWD	1149	55	75	01.14-08.21	*		
1.5 dCi 75 (K9K 612)	Diesel	FWD	1461	55	75	01.14-08.21	*		
1.5 dCi 90 (BHAJ) (K9K 608)	Diesel	FWD	1461	66	90	01.14-08.21	*		
1.5 dCi 90 (BHAJ) (K9K 628)	Diesel	FWD	1461	66	90	01.14-08.21	*		
1.5 dCi 90 (BHAJ) (K9K 629)	Diesel	FWD	1461	66	90	01.14-08.21	*		
<b>CLIO IV Grandtour (KH_) 11.12-</b>					<b>[CAMBIADO]:Break (Supermini car-B Segment)</b>				
0.9 TCe 90 (KHJR, KHMA, KHM1) (H4B 400)	Gasolina	FWD	898	66	90	01.13-08.21	*		
0.9 TCe 90 (KHJR, KHMA, KHM1) (H4B 408)	Gasolina	FWD	898	66	90	01.13-08.21	*		
1.2 16V (D4F 740)	Gasolina	FWD	1149	54	73	01.13-08.21	*		
1.2 TCe 120 (KHAU) (H5F 408)	Gasolina	FWD	1197	87	118	01.16-08.21	*		
1.2 TCe 120 (KHAU) (H5F 412)	Gasolina	FWD	1197	87	118	01.16-08.21	*		
1.2 TCe 120 (KHM0) (H5F 403)	Gasolina	FWD	1197	88	120	03.13-08.21	*		
1.5 dCi 75 (K9K 612)	Diesel	FWD	1461	55	75	01.13-08.21	*		
1.5 dCi 75 (K9K 628)	Diesel	FWD	1461	55	75	01.13-08.21	*		
1.5 dCi 90 (KHN3, KHN4) (K9K 608)	Diesel	FWD	1461	66	90	11.12-08.21	*		
1.5 dCi 90 (KHN3, KHN4) (K9K 628)	Diesel	FWD	1461	66	90	11.12-08.21	*		
1.5 dCi 90 (KHN3, KHN4) (K9K 629)	Diesel	FWD	1461	66	90	11.12-08.21	*		
1.5 dCi 110 (K9K 646)	Diesel	FWD	1461	81	110	06.16-08.21	*		
<b>CLIO IV Grandtour (KH_) 01.13-</b>					<b>[CAMBIADO]:Furgón/Break (Supermini car-B Segment)</b>				
0.9 TCe 90 (H4B 400)	Gasolina	FWD	898	66	90	01.14-08.21	*		
1.5 dCi 75 (K9K 612)	Diesel	FWD	1461	55	75	01.14-08.21	*		
1.5 dCi 90 (K9K 608)	Diesel	FWD	1461	66	90	01.14-08.21	*		

# LISTA DE APLICACIONES - BUYERS GUIDE

<b>CLIO V (B7_) 06.19-</b>					<b>[CAMBIADO]:Fastback (Supermini car-B Segment)</b>			
1.0 SCe 65 (B7MR) (B4D 409)		Gasolina	FWD	999	48	65	11.19-	*
1.0 SCe 65 (B7MG)		Gasolina	FWD	999	49	67	11.21-	*
1.0 SCe 75 (B7M5) (B4D 409)		Gasolina	FWD	999	53	72	06.19-	*
1.0 TCe 90 (B7MT)		Gasolina	FWD	999	67	91	08.20-	*
1.0 TCe 100 (B7MT) (H4D 450)		Gasolina	FWD	999	74	101	06.19-	*
1.0 TCe 100 (B7MT) (H4D 452)		Gasolina	FWD	999	74	101	06.19-	*
1.0 TCe 100 (B7MT) (H4D 460)		Gasolina	FWD	999	74	101	06.19-	*
1.0 TCe 100 (B7MT) (H4D 472)		Gasolina	FWD	999	74	101	06.19-	*
1.0 LPG (B7MT)		Gasol./Gas (LPG)	FWD	999	67	91	11.21-	*
1.0 LPG (B7MT) (H4D 450)		Gasol./Gas (LPG)	FWD	999	74	101	06.19-	*
1.0 LPG (B7MT) (H4D 452)		Gasol./Gas (LPG)	FWD	999	74	101	06.19-	*
1.0 LPG (B7MT) (H4D 460)		Gasol./Gas (LPG)	FWD	999	74	101	06.19-	*
1.0 LPG (B7MT) (H4D 472)		Gasol./Gas (LPG)	FWD	999	74	101	06.19-	*
1.5 Blue dCi 85 (B7AG) (K9K 854)		Diesel	FWD	1461	63	86	06.19-	*
1.5 Blue dCi 85 (B7AG) (K9K 872)		Diesel	FWD	1461	63	86	06.19-	*
1.5 Blue dCi 115 (B7AD) (K9K 854)		Diesel	FWD	1461	85	116	06.19-	*
1.5 Blue dCi 115 (B7AD) (K9K 862)		Diesel	FWD	1461	85	116	06.19-	*
1.5 Blue dCi 115 (B7AD) (K9K 872)		Diesel	FWD	1461	85	116	06.19-	*
<b>LOGAN II MCV / TONDAR (K8_) 11.13-</b>					<b>[CAMBIADO]:Break (Compact car-C Segment)</b>			
1.2 16V (D4F 732)		Gasolina	FWD	1149	54	73	12.13-	*
1.2 16V (D4F 734)		Gasolina	FWD	1149	54	73	12.13-	*
1.6 (K7M 812)		Gasolina	FWD	1598	59	80	12.13-	*
1.6 (K8A9)		Gasolina	FWD	1598	78	106	12.13-	*
1.2 16V LPG (D4F 732)		Gasol./Gas (LPG)	FWD	1149	53	72	12.13-	*
1.2 16V LPG (D4F 734)		Gasol./Gas (LPG)	FWD	1149	53	72	12.13-	*
1.5 dCi (K9K 838)		Diesel	FWD	1461	62	84	12.13-	*
1.5 dCi		Diesel	FWD	1461	66	90	12.13-	*
<b>LOGAN II /STEPWAY II / TONDAR (L8_) 09.12-</b>					<b>Sedán (Compact car-C Segment)</b>			
1.6 (K7M 812)		Gasolina	FWD	1598	59	80	11.13-	*
1.6 (K7M 812)		Gasolina	FWD	1598	60	82	04.14-	*
1.6 (L8A9, L8J0) (K4M 842)		Gasolina	FWD	1598	75	102	04.14-	*
1.6 (L8A9, L8J0) (K4M 845)		Gasolina	FWD	1598	75	102	04.14-	*
1.6 (H4M 438)		Gasolina	FWD	1598	83	113	09.16-	*
1.2 16V LPG (D4F 732)		Gasol./Gas (LPG)	FWD	1149	53	72	11.13-	*
1.2 16V LPG (D4F 734)		Gasol./Gas (LPG)	FWD	1149	53	72	11.13-	*
1.5 dCi (K9K 838)		Diesel	FWD	1461	62	84	12.13-	*
1.5 dCi		Diesel	FWD	1461	66	90	12.13-	*
<b>SANDERO II /STEPWAY II (B8_) 11.13-</b>					<b>[CAMBIADO]:Fastback (Compact car-C Segment)</b>			
TCe 90 (B8MA, B8M1, B8JR)		Gasolina	FWD	898	66	90	09.15-	*
1.0 SCe 75 (B8JD)		Gasolina	FWD	999	54	73	12.19-	*
1.6 (K7M 812)		Gasolina	FWD	1598	59	80	11.13-	*
1.6		Gasolina	FWD	1598	60	82	11.13-	*
1.6		Gasolina	FWD	1598	61	83	11.13-	*
1.6		Gasolina	FWD	1598	63	86	04.16-	*

# LISTA DE APLICACIONES - BUYERS GUIDE

1.6		Gasolina	FWD	1598	66	90	05.15-	*	
1.6 16V		Gasolina	FWD	1598	75	102	04.14-	*	
1.6 (B8JA) (H4M 429)		Gasolina	FWD	1598	83	113	09.16-	*	
1.6 (B8JA) (H4M 438)		Gasolina	FWD	1598	83	113	09.16-	*	
1.6 Flex (B8A6)		Gasol./Etanol	FWD	1598	78	106	03.14-07.18	*	
1.5 dCi (K9K 830)		Diesel	FWD	1461	62	84	12.13-	*	
1.5 dCi (B8AL)		Diesel	FWD	1461	66	90	01.17-	*	
<b>THALIA III / SYMBOL (L8_) 12.13-</b>					<b>Sedán (Supermini car-B Segment)</b>				
0.9 TCe (H4B 400)		Gasolina	FWD	898	66	90	06.14-	*	
1.0 SCe (L8JC)		Gasolina	FWD	998	54	73	01.17-11.19	*	
1.6 16V (K4M 842)		Gasolina	FWD	1598	77	105	12.13-	*	
<b>TWINGO III (BCM_, BCA_) 09.14-</b>					<b>[CAMBIADO]:Fastback (City car-A Segment)</b>				
0.9 TCe 90 (BCM9, BCM2) (H4B 401)		Gasolina	RWD	898	66	90	09.14-04.19	*	
0.9 TCe 95 (H4B 453)		Gasolina	RWD	898	68	92	03.19-01.21	*	
0.9 TCe 110 (H4B 401)		Gasolina	RWD	898	80	109	11.16-04.19	*	
1.0 SCe 65 (BCMJ) (B4D 403)		Gasolina	RWD	999	48	65	03.19-07.24	*	
1.0 SCe 70 (BCMB) (H4D 400)		Gasolina	RWD	999	51	69	09.15-04.19	*	
1.0 SCe 70 (H4D 400)		Gasolina	RWD	999	52	71	09.14-04.19	*	
1.0 SCe 75 (B4D 403)		Gasolina	RWD	999	54	73	03.19-01.21	*	
0.9 TCe 90 LPG (BCMD) (H4B 451)		Gasol./Gas (LPG)	RWD	898	66	90	08.18-04.19	*	
Z.E: (BCA1)		Eléctrico	RWD		60	82	05.20-07.24	*	
<b>SMART</b>									
<b>FORFOUR II (453) 07.14-</b>					<b>[CAMBIADO]:Fastback (City car-A Segment)</b>				
0.9 (453.044, 453.053) (H4B 409)		Gasolina	RWD	898	66	90	11.14-	*	
0.9 (453.044, 453.053) (M 281.910)		Gasolina	RWD	898	66	90	11.14-	*	
0.9 Brabus (453.062) (M 281.910)		Gasolina	RWD	898	80	109	07.16-	*	
1.0 (453.041) (M 281.920)		Gasolina	RWD	999	45	60	11.14-	*	
1.0 (453.042, 453.043) (H4DA401)		Gasolina	RWD	999	52	71	07.14-	*	
1.0 (453.042, 453.043) (M 281.920)		Gasolina	RWD	999	52	71	07.14-	*	
electric drive / EQ (453.491)		Eléctrico	RWD		41	56	05.17-	*	
electric drive (453.091)		Eléctrico	RWD		60	82	05.17-	*	
<b>FORTWO III (453) 09.15-</b>					<b>Cabrió (City car-A Segment)</b>				
0.9 (453.444, 453.453) (M 281.910)		Gasolina	RWD	898	66	90	09.15-	*	
0.9 Brabus (453.462) (M 281.910)		Gasolina	RWD	898	80	109	07.16-	*	
1.0 (453.442, 453.443) (M 281.920)		Gasolina	RWD	999	52	71	09.15-	*	
electric drive / EQ (453.491)		Eléctrico	RWD		41	56	05.17-	*	
electric drive (453.491)		Eléctrico	RWD		60	82	05.17-	*	
<b>FORTWO III (453) 07.14-</b>					<b>Coupé (City car-A Segment)</b>				
0.9 (453.344, 453.353) (M 281.910)		Gasolina	RWD	898	66	90	09.14-	*	
0.9 Brabus (453.362) (M 281.910)		Gasolina	RWD	898	80	109	07.16-	*	
1.0 (453.341) (M 281.920)		Gasolina	RWD	999	45	60	11.14-	*	
1.0 (453.342, 453.343) (M 281.920)		Gasolina	RWD	999	52	71	07.14-	*	
electric drive / EQ (453.491)		Eléctrico	RWD		41	56	05.17-	*	
electric drive (453.391)		Eléctrico	RWD		60	82	05.17-	*	