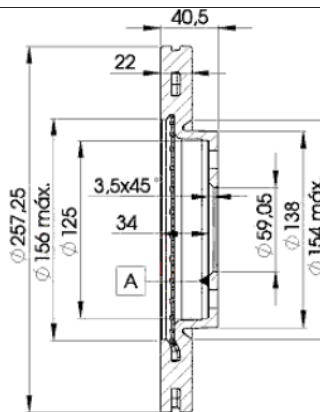
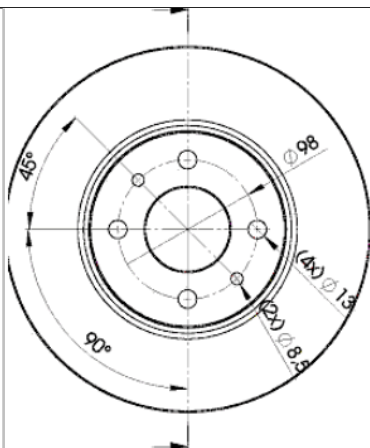


# LISTA DE APLICACIONES - BUYERS GUIDE

## 78RBD21650



Weight: 10.456



## 78RBD21650

**(E1) 90R-02C0538/0116**



Ø257x22x40.5

Sin Filas

O.E.M.	MAKE
1606321980	CITROËN
1617328980	CITROËN
1618879780	PEUGEOT
4 640 135 6	LANCIA
4 654 238 3	FIAT
4 683 104 1	FIAT
4249.73	PEUGEOT
4249.74	PEUGEOT
424900000	PEUGEOT
4249L2	PEUGEOT
51896287	LANCIA
51896288	LANCIA
52015293	FIAT
52063172	FIAT
59064264	FIAT
60812137	FIAT
7 173 964 0	FIAT



Trac.	CC	Kw	CV				
						Front / Rear	

### ALFA ROMEO

<b>MITO (955_) 08.08-</b>									<b>[CAMBIADO]:Fastback (Supermini car-B Segment)</b>
0.9 TwinAir (955.AXW1B) (312 A2.000)	Gasolina	FWD	875	63	86	07.11-12.13			*
0.9 TwinAir (955.AXY1B, 955.AXZ1B) (199 B6.000)	Gasolina	FWD	875	74	101	12.13-08.18			*
0.9 TwinAir (955.AXY1B) (199 B6.000)	Gasolina	FWD	875	77	105	04.13-08.18			*
1.4 (955.AXV1A) (955 A9.000)	Gasolina	FWD	1368	51	69	05.11-10.18			*
1.4 (955.AXB1B, 955.AXU1A) (350 A1.000)	Gasolina	FWD	1368	57	78	03.11-10.18			*
1.4 (955.AXB1B)	Gasolina	FWD	1368	57	78	03.11-			*
1.4 (955.AXB1B) (955 A1.000)	Gasolina	FWD	1368	58	78	08.08-08.13			*
1.4 (955.AXB1B, 955.AXF1B) (199 A6.000)	Gasolina	FWD	1368	70	95	09.08-08.13			*
1.4 MultiAir (955.AXL1B) (955 A6.000)	Gasolina	FWD	1368	77	105	09.09-08.13			*

### CHRYSLER

<b>YPSILON 05.11-</b>									<b>[CAMBIADO]:Fastback (Supermini car-B Segment)</b>
0.9 Twinair (312 A2.000)	Gasolina	FWD	875	63	86	05.11-12.18			*
1.3 Multijet (199 B1.000)	Diesel	FWD	1248	70	95	05.11-			*

### CITROËN

<b>NEMO (AA_) 02.08-</b>									<b>Furgoneta/MPV (LCVs-N1 Segment)</b>
1.4 (KFV (TU3A))	Gasolina	FWD	1360	54	73	02.08-			*
1.3 HDi 75 (FHZ (F13DTE5))	Diesel	FWD	1248	55	75	10.10-			*
1.3 BlueHDi 80 (FHY (F13DTE6))	Diesel	FWD	1248	59	80	02.16-			*
1.4 HDi (8HS (DV4TED))	Diesel	FWD	1398	50	68	02.08-			*
<b>NEMO 04.09-</b>									<b>MPV ()</b>
1.4 (KFT (TU3A))	Gasolina	FWD	1360	54	73	04.09-			*

# LISTA DE APLICACIONES - BUYERS GUIDE

1.4 (KFV (TU3A))		Gasolina	FWD	1360	54	73	04.09-	*
1.3 HDi 75 (FHZ (F13DTE5))		Diesel	FWD	1248	55	75	10.10-	*
1.3 HDi 80 (FHY (F13DTE6))		Diesel	FWD	1248	59	80	10.15-	*
1.4 HDi (8HS (DV4TED))		Diesel	FWD	1399	50	68	04.09-	*
<b>FIAT</b>								
<b>[CAMBIADO]:Fastback (City car-A Segment)</b>								
<b>500 II (312_) 07.07-</b>								
0.9 (312AXM1B) (199 B6.000)		Gasolina	FWD	875	77	105	10.13-	*
1.4		Gasolina	FWD	1368	65	88	01.12-	*
1.4 Flex		Gasolina	FWD	1368	65	88	01.12-	*
1.4 (312AXC1B, 312CXC1B) (169 A3.000)		Gasolina	FWD	1368	74	100	10.07-	*
1.4 (301J410) (169 A3.000)		Gasolina	FWD	1368	75	102	09.08-	*
1.4		Gasolina	FWD	1368	77	105	02.09-	*
1.4 Multiair		Gasolina	FWD	1368	77	105	08.11-	*
1.4 Abarth		Gasolina	FWD	1368	123	167	11.14-	*
1.0 Mild Hybrid (312.AYD1B) (463 41 162)		Gasol./el éc.	FWD	999	51	69	01.20-	*
Electric (EV)		Eléctrico	FWD		24	33	01.10-	*
1.3 D Multijet (312AYA1A) (312 B5.000)		Diesel	FWD	1248	57	78	06.16-	*
1.3 D Multijet (312AXE1A) (199 B1.000)		Diesel	FWD	1248	70	95	12.09-	*
1.3 D Multijet (312AXE1A) (312 B1.000)		Diesel	FWD	1248	70	95	12.09-	*
<b>Cabrió (City car-A Segment)</b>								
<b>500 C II (312_) 09.09-</b>								
0.9 (312AXM1B) (199 B6.000)		Gasolina	FWD	875	77	105	12.13-	*
1.4 (312CXC1B, 312AXC1B) (169 A3.000)		Gasolina	FWD	1368	74	100	06.09-	*
1.4 (301J410) (169 A3.000)		Gasolina	FWD	1368	75	102	09.11-	*
1.4 (301J410) (EAB)		Gasolina	FWD	1368	75	102	09.11-	*
1.0 Mild Hybrid (312.AYD1B) (463 41 162)		Gasol./el éc.	FWD	999	51	69	01.20-	*
1.3 D Multijet (312CXE1A, 312AXE1A) (199 B1.000)		Diesel	FWD	1248	70	95	09.09-	*
1.3 D Multijet (312CXE1A, 312AXE1A) (312 B1.000)		Diesel	FWD	1248	70	95	09.09-	*
<b>[CAMBIADO]:Fastback (City car-A Segment)</b>								
<b>500 e (332_) 10.20-</b>								
Elektro (FA1) (463 48 460)		Eléctrico	FWD		70	95	10.20-	*
Elektro 3+1 (FA1) (463 48 460)		Eléctrico	FWD		87	118	10.20-	*
<b>Cabrió (City car-A Segment)</b>								
<b>500 e (332_) 10.20-</b>								
Elektro (FA1) (463 48 460)		Eléctrico	FWD		70	95	10.20-	*
Elektro (FA1) (463 48 460)		Eléctrico	FWD		87	118	10.20-	*
<b>[CAMBIADO]:Fastback (Compact car-C Segment)</b>								
<b>BRAVO II / RITMO III (198_) 11.06-</b>								
1.4 (198AXA1B) (192 B2.000)		Gasolina	FWD	1368	66	90	04.07-12.14	*
1.4 LPG (198AXA1B) (192 B2.000)		Gasol./Gas (LPG)	FWD	1368	66	90	12.08-12.14	*
<b>Furgoneta/MPV (LCVs-N1 Segment)</b>								
<b>DOBLO (223_) 11.00-</b>								
1.2 16V		Gasolina	FWD	1242	59	80	11.01-01.06	*
1.6 Natural Power (223WXD1A) (182 B6.000)		Gasol./Gas (CNG)	FWD	1596	68	92	02.04-07.09	*
1.3 JTD 16V Multijet (223 A9.000)		Diesel	FWD	1248	62	84	08.06-	*
1.9 JTD Multijet (186 A9.000)		Diesel	FWD	1910	88	120	12.06-	*
<b>MPV (Large MPV-M1 Segment)</b>								
<b>DOBLO (119_, 223_) 03.01-</b>								
1.6		Gasolina	FWD	1596	68	92	09.02-	*
1.6 Natural Power (223AXD1A) (182 B6.000)		Gasol./Gas (CNG)	FWD	1596	68	92	11.05-07.09	*

# LISTA DE APLICACIONES - BUYERS GUIDE

<b>FIORINO III (225_) 01.07-</b>					<b>MPV (Mini MPV-M1 Segment)</b>			
1.4 (225BXA1A)		Gasolina	FWD	1360	54	73	11.07-	*
1.4 (225AXA1A)		Gasolina	FWD	1368	57	77	07.14-	*
1.4 CNG (225AXC1A)		Gasol./Gas (CNG)	FWD	1368	51	69	07.14-	*
1.4 CNG (225AXC1A, 225BXC1A)		Gasol./Gas (CNG)	FWD	1368	57	77	06.08-	*
1.3 JTD Multijet (225BXB1A, 225BXB11)		Diesel	FWD	1248	55	75	11.07-	*
1.3 JTD Multijet		Diesel	FWD	1248	70	95	01.11-	*
<b>FIORINO III - QUBO (225_) 01.07-</b>					<b>Furgoneta/MPV (LCVs-N1 Segment)</b>			
1.3 MPI		Gasolina	FWD	1242	52	71	01.07-	*
1.4 (225BXA1A, 225BXF1A) (KFT)		Gasolina	FWD	1360	54	73	11.07-	*
1.4 (225BXA1A, 225BXF1A) (KFV)		Gasolina	FWD	1360	54	73	11.07-	*
1.4 (225AXA1A, 225BXA1A) (350 A1.000)		Gasolina	FWD	1368	57	78	10.09-	*
1.4 Natural Power (225AXC1A, 225BXC1A) (350 A1.000)		Gasol./Gas (CNG)	FWD	1368	51	69	06.08-	*
1.4 Natural Power (225BXC1A, 225AXC1A) (350 A1.000)		Gasol./Gas (CNG)	FWD	1368	57	78	06.08-	*
1.3 D Multijet (225BXD1A, 225BXB1A, 225BXB11) (199 A2.000)		Diesel	FWD	1248	55	75	11.07-	*
1.3 D Multijet (225BXD1A, 225BXB1A, 225BXB11) (199 A9.000)		Diesel	FWD	1248	55	75	11.07-	*
1.3 D Multijet (225 A2.000)		Diesel	FWD	1248	59	80	03.15-	*
1.3 D Multijet (552 83 775)		Diesel	FWD	1248	59	80	03.15-	*
1.3 D Multijet (199 B1.000)		Diesel	FWD	1248	70	95	07.09-	*
1.3 D Multijet (330 A1.000)		Diesel	FWD	1248	70	95	07.09-	*
1.4 HDi		Diesel	RWD	1395	50	68	01.07-	*
<b>FIORINO III - QUBO (225_) 02.08-</b>					<b>MPV (Mini MPV-M1 Segment)</b>			
1.4 (225AXA1A) (KFT)		Gasolina	FWD	1360	54	73	02.08-	*
1.4 (225AXA1A) (KFV)		Gasolina	FWD	1360	54	73	02.08-	*
1.4 (225AXA1A, 225CXA1A) (350 A1.000)		Gasolina	FWD	1368	57	78	10.09-	*
1.4 Natural Power (225AXC1A, 225BXC1A) (350 A1.000)		Gasol./Gas (CNG)	FWD	1368	57	78	10.09-	*
1.3 D Multijet (225CXB1A, 225AXB1A, 225CXB11, 225AXB11,...) (199 A2.000)		Diesel	FWD	1248	55	75	02.08-	*
1.3 D Multijet (225CXB1A, 225AXB1A, 225CXB11, 225AXB11,...) (199 A9.000)		Diesel	FWD	1248	55	75	02.08-	*
1.3 D Multijet (225AXG1A, 225CXG1A, 225AXG11, 225CXG11) (225 A2.000)		Diesel	FWD	1248	59	80	03.15-	*
1.3 D Multijet (225AXE1A, 225CXE1A, 225AXH1A, 225AXL1A,...) (199 B1.000)		Diesel	FWD	1248	70	95	07.10-	*
<b>IDEA (350_) 12.03-</b>					<b>Furgoneta/MPV (Mini MPV-M1 Segment)</b>			
1.4 (350BXA1A)		Gasolina	FWD	1368	70	95	10.04-12.12	*
JTD Multijet (350BXB1A)		Diesel	FWD	1248	51	69	10.04-12.11	*
<b>IDEA (350_) 12.03-</b>					<b>MPV (Mini MPV-M1 Segment)</b>			
1.2 16V (188 A5.000)		Gasolina	FWD	1242	59	80	01.04-	*
1.4 (350 A1.000)		Gasolina	FWD	1368	57	77	10.05-	*
1.4 (192 B2.000)		Gasolina	FWD	1368	66	90	12.03-	*
1.4 16V (843 A1.000)		Gasolina	FWD	1368	70	95	01.04-	*
1.4 LPG (350 A1.000)		Gasol./Gas (LPG)	FWD	1368	57	78	03.09-	*
1.3 D Multijet (188 A9.000)		Diesel	FWD	1248	51	70	01.04-	*
1.3 D Multijet (199 B1.000)		Diesel	FWD	1248	70	95	05.08-12.12	*

# LISTA DE APLICACIONES - BUYERS GUIDE

<b>LINEA (323_, 110_) 10.06-</b>					<b>Sedán (Compact car-C Segment)</b>			
1.4 (350 A1.000)		Gasolina	FWD	1368	57	77	06.07-	*
1.4		Gasolina	FWD	1368	66	90	12.08-	*
1.4 T-Jet		Gasolina	FWD	1368	84	114	09.07-03.13	*
1.3 JTD Multijet (323AXB1A) (199 A3.000)		Diesel	FWD	1248	63	86	10.06-	*
1.3 D Multijet (323AXB1A) (199 A3.000)		Diesel	FWD	1248	66	90	06.07-	*
1.3 D Multijet (323AXB1A) (199 A3.000)		Diesel	FWD	1248	70	95	09.09-	*
<b>PANDA II (169_) 09.03-</b>					<b>[CAMBIADO]:Fastback (City car-A Segment)</b>			
1.4 (169AXE1B) (169 A3.000)		Gasolina	FWD	1368	74	100	10.06-	*
1.4 Natural Power (169AXHIA) (350 A1.000)		Gasol./Gas (CNG)	FWD	1368	57	78	09.10-08.13	*
1.3 JTD Multijet 4x4 (169AXG1A, 169AXG2A) (169 A1.000)		Diesel	4WD	1248	55	75	09.10-08.13	*
1.3 JTD Multijet 4x4 (169AXG1A, 169AXG2A) (169 A5.000)		Diesel	4WD	1248	55	75	09.10-08.13	*
<b>PANDA II (169_) 03.04-</b>					<b>Furgón/hatchback (LCVs-N1 Segment)</b>			
1.4 Natural Power (350 A1.000)		Gasol./Gas (CNG)	FWD	1368	57	78	10.09-	*
1.3 D Multijet 4x4 (188 A8.000)		Diesel	4WD	1248	51	70	10.04-12.06	*
<b>PANDA III (312_, 319_) 02.12-</b>					<b>[CAMBIADO]:Fastback (City car-A Segment)</b>			
0.9 (312PXM1A, 312PXM11) (312 A2.000)		Gasolina	FWD	875	57	78	02.12-	*
0.9 (312PXM1A, 312PXM11) (312 A7.000)		Gasolina	FWD	875	57	78	02.12-	*
0.9 (312PXG1A) (312 A2.000)		Gasolina	FWD	875	63	86	02.12-	*
0.9 4x4 (312PXG1A) (312 A2.000)		Gasolina	4WD	875	63	86	09.12-	*
0.9 4x4 (312PXR2B) (312 A2.000)		Gasolina	4WD	875	66	90	06.14-	*
0.9 4x4 (312PXR2B) (312 A7.000)		Gasolina	4WD	875	66	90	06.14-	*
1.2 (312PXA1A) (169 A4.000)		Gasolina	FWD	1242	51	69	02.12-	*
0.9 Natural Power (312PXM1A) (312 A2.000)		Gasol./Gas (CNG)	FWD	875	63	86	07.12-	*
1.0 Mild Hybrid (312.PYD1B) (463 41 162)		Gasol./el éc.	FWD	999	51	69	01.20-	*
1.3 D Multijet (312PXL1A) (199 A1.000)		Diesel	FWD	1248	55	75	02.12-	*
1.3 D Multijet (312PXL1A) (199 A9.000)		Diesel	FWD	1248	55	75	02.12-	*
1.3 D Multijet 4x4 (312PXU1A) (199 A1.000)		Diesel	4WD	1248	55	75	06.12-	*
1.3 D Multijet 4x4 (312PXU1A) (199 A9.000)		Diesel	4WD	1248	55	75	06.12-	*
1.3 D Multijet 4x4 (312PXU1A) (199 A9.000)		Diesel	4WD	1248	59	80	06.14-	*
1.3 D Multijet 4x4 (312PXU1A) (225 A2.000)		Diesel	4WD	1248	59	80	06.14-	*
1.3 D Multijet 4x4 (312PXU1A) (312 A8.000)		Diesel	4WD	1248	59	80	06.14-	*
1.3 D Multijet 4x4 (312PXU1A) (312 B2.000)		Diesel	4WD	1248	59	80	06.14-	*
1.3 D Multijet (312PXU1A, 312PXM1A) (199 B1.000)		Diesel	FWD	1248	70	95	04.15-	*
1.3 D Multijet (312PXU1A, 312PXM1A) (312 B1.000)		Diesel	FWD	1248	70	95	04.15-	*
1.3 D Multijet (312PXU1A, 312PXM1A) (330 A1.000)		Diesel	FWD	1248	70	95	04.15-	*
1.3 D Multijet 4x4 (312PXU1A) (199 B1.000)		Diesel	4WD	1248	70	95	04.15-	*
1.3 D Multijet 4x4 (312PXU1A) (312 B1.000)		Diesel	4WD	1248	70	95	04.15-	*
1.3 D Multijet 4x4 (312PXU1A) (330 A1.000)		Diesel	4WD	1248	70	95	04.15-	*
<b>PANDA III VAN (312_, 519_) 02.12-</b>					<b>Furgón/hatchback (LCVs-N1 Segment)</b>			
0.9 4x4 (312CXG2B) (312 A2.000)		Gasolina	4WD	875	63	86	09.12-	*
1.0 Mild Hybrid (312PYD1B)		Gasol./el éc.	FWD	999	51	69	01.20-	*

# LISTA DE APLICACIONES - BUYERS GUIDE

1.3 D Multijet (312CXL1A, 312DXL1A) (199 A9.000)	Diesel	FWD	1248	55	75	02.12-	*
1.3 D Multijet 4x4 (312CXL2A) (199 A9.000)	Diesel	4WD	1248	55	75	06.12-	*
1.3 D Multijet (312PXS2A) (225 A2.000)	Diesel	FWD	1248	59	80	12.15-	*
1.3 D Multijet (312PXS2A) (312 A8.000)	Diesel	FWD	1248	59	80	12.15-	*
1.3 D Multijet (312PXS2A) (312 B2.000)	Diesel	FWD	1248	59	80	12.15-	*
1.3 D Multijet 4x4 (312PXU1A) (225 A2.000)	Diesel	4WD	1248	59	80	06.14-	*
<b>PUNTO II (188_) 09.99-07.12</b>							<b>[CAMBIADO]:Fastback (Supermini car-B Segment)</b>
1.8 130 HGT (188.738, .718) (183 A1.000)	Gasolina	FWD	1747	96	130	09.99-03.12	*
1.8 130 HGT (188.738, .718) (188 A6.000)	Gasolina	FWD	1747	96	130	09.99-03.12	*
<b>STILO (192_) 10.01-11.10</b>							<b>[CAMBIADO]:Fastback (Compact car-C Segment)</b>
1.2 16V (192_XA1B) (188 A5.000)	Gasolina	FWD	1242	59	80	11.01-12.03	*
1.4 16V (192 B2.000)	Gasolina	FWD	1368	66	90	03.05-11.06	*
1.4 16V (192AXH1B, 192BXH1B) (843 A1.000)	Gasolina	FWD	1368	70	95	10.03-12.06	*
1.6 16V (192_XB1A) (182 B6.000)	Gasolina	FWD	1596	76	103	10.01-11.06	*
1.6 (182 B6.000)	Gasolina	FWD	1596	100	136	04.05-11.06	*
1.6 16V (192 B3.000)	Gasolina	FWD	1598	77	105	05.05-11.06	*
1.8	Gasolina	FWD	1796	76	103	01.04-11.06	*
1.8 Flex	Gasolina	FWD	1796	84	114	09.05-11.10	*
1.8	Gasolina	FWD	1796	90	122	01.04-11.06	*
<b>STILO (192_) 10.01-08.08</b>							<b>[CAMBIADO]:Furgón/Break (Compact car-C Segment)</b>
1.4 (192DXH1B) (843 A1.000)	Gasolina	FWD	1368	70	95	01.04-08.08	*
1.6 (192DXB1A) (182 B6.000)	Gasolina	FWD	1596	100	136	04.05-08.08	*
<b>STILO Multi Wagon (192_) 01.03-08.08</b>							<b>[CAMBIADO]:Break (Compact car-C Segment)</b>
1.4 16V (192 B2.000)	Gasolina	FWD	1368	66	90	03.05-08.08	*
1.4 16V (843 A1.000)	Gasolina	FWD	1368	70	95	01.04-08.08	*
1.6 16V (182 B6.000)	Gasolina	FWD	1596	76	103	01.03-08.08	*
1.8	Gasolina	FWD	1796	76	103	01.04-08.08	*
1.8	Gasolina	FWD	1796	84	114	09.05-08.08	*
1.8	Gasolina	FWD	1796	90	122	01.04-08.08	*
<b>LANCIA</b>							
<b>DEDRA (835_) 01.89-07.99</b>							<b>Sedán (Large family car-D Segment)</b>
1.8 16V LE (835FG) (182 A2.000)	Gasolina	FWD	1747	83	113	03.96-07.99	*
1.8 GT 16V (835EH) (183 A1.000)	Gasolina	FWD	1747	96	131	03.96-07.99	*
2.0 16V (835ED) (836 A3.000)	Gasolina	FWD	1995	102	139	07.94-07.99	*
<b>DEDRA SW (835_) 07.94-07.99</b>							<b>[CAMBIADO]:Break (Large family car-D Segment)</b>
1.8 GT 16V (835EH) (183 A1.000)	Gasolina	FWD	1747	96	131	03.96-07.99	*
1.8 i.e. (835FA) (836 A5.000)	Gasolina	FWD	1756	74	101	07.94-07.99	*
2.0 16V (835ED) (836 A3.000)	Gasolina	FWD	1995	102	139	07.94-07.99	*
2.0 Integrale (835ED) (836 A3.000)	Gasolina	4WD	1995	102	139	07.94-07.99	*
<b>MUSA (350_) 10.04-09.12</b>							<b>MPV (Mini MPV-M1 Segment)</b>
1.4 (350.AXF1A) (350 A1.000)	Gasolina	FWD	1368	57	78	09.05-09.12	*
1.4 (350.AXE1A) (192 B2.000)	Gasolina	FWD	1368	66	90	10.07-09.12	*
1.4 (350.AXA11, 350.AXA1A) (843 A 1.000)	Gasolina	FWD	1368	70	95	10.04-09.12	*
1.4 LPG (350.AXF1A) (350 A1.000)	Gasol./Gas (LPG)	FWD	1368	57	78	11.10-09.12	*
1.3 D Multijet (350.AXB11, 350.AXB1A) (188 A9.000)	Diesel	FWD	1248	51	70	10.04-09.12	*
1.3 D Multijet (350.AXG11, 350.AXG1A) (199 A3.000)	Diesel	FWD	1248	66	90	09.06-09.12	*

# LISTA DE APLICACIONES - BUYERS GUIDE

1.3 D Multijet (350.AXM11, 350.AXM1A, 350.AXI1A) (199 B1.000)	Diesel	FWD	1248	70	95	03.09-09.12	*	
<b>YPSILON II (843_) 10.03-12.11</b>				<b>[CAMBIADO]:Fastback (Supermini car-B Segment)</b>				
1.2 (843.AXB1A) (188 A5.000)	Gasolina	FWD	1242	59	80	10.03-12.11	*	
1.4 (843.AXG1A) (350 A1.000)	Gasolina	FWD	1368	57	78	02.06-12.11	*	
1.4 16V (843.AXC11, 843.AXC1B, 843.AXC1A) (843 A 1.000)	Gasolina	FWD	1368	70	95	10.03-12.11	*	
1.4 LPG (843.AXG1A) (350 A1.000)	Gasol./Gas (LPG)	FWD	1368	57	78	11.10-12.11	*	
1.3 JTD (843.AXD11, 843.AXD1A) (188 A9.000)	Diesel	FWD	1248	51	70	10.03-12.11	*	
1.3 D Multijet (843.AXF11, 843.AXF1A, 843.AXM11,...) (199 A2.000)	Diesel	FWD	1248	55	75	09.06-12.11	*	
1.3 D Multijet (843.AXE11, 843.AXE1A) (199 A3.000)	Diesel	FWD	1248	66	90	09.06-12.11	*	
1.3 D Multijet (843.AXH1A, 843.AXE1A) (199 A3.000)	Diesel	FWD	1248	77	105	05.07-12.11	*	
<b>YPSILON III (312_) 05.11-</b>				<b>[CAMBIADO]:Fastback (Supermini car-B Segment)</b>				
0.9 TwinAir (312.YXN11, 312.YXN1A) (312 A2.000)	Gasolina	FWD	875	59	80	12.13-12.18	*	
0.9 TwinAir (312.YXN11, 312.YXN1A) (312 A5.000)	Gasolina	FWD	875	59	80	12.13-12.18	*	
0.9 TwinAir (312.PXG11, 312.PXG1A, 312.YXG11, 312.YXG1A) (312 A2.000)	Gasolina	FWD	875	63	86	05.11-12.18	*	
0.9 CNG (312.YXN1A) (312 A5.000)	Gasol./Gas (CNG)	FWD	875	59	80	01.14-	*	
0.9 CNG (312.YXG1A) (312 A2.000)	Gasol./Gas (CNG)	FWD	875	63	86	05.11-	*	
1.0 Mild Hybrid (312) (463 41 162)	Gasol./el éc.	FWD	999	51	69	03.20-	*	
1.3 D Multijet (312.YXE1A, 312.YXU1A) (199 B1.000)	Diesel	FWD	1248	70	95	05.11-08.18	*	
1.3 D Multijet (312.YXE1A, 312.YXU1A) (312 B1.000)	Diesel	FWD	1248	70	95	05.11-08.18	*	
<b>PEUGEOT</b>								
<b>BIPPER (AA_) 02.08-</b>				<b>Furgoneta/MPV (LCVs-N1 Segment)</b>				
1.4 (KFV (TU3A))	Gasolina	FWD	1360	54	73	02.08-	*	
1.3 HDi 80 / BlueHDi 80 (FHY (F13DTE6))	Diesel	FWD	1248	59	80	12.15-	*	
1.4 HDi (8HS (DV4TED))	Diesel	FWD	1398	50	68	02.08-	*	
<b>BIPPER Tepee 04.08-</b>				<b>MPV (LCVs-N1 Segment)</b>				
1.4 (KFV (TU3A))	Gasolina	FWD	1360	54	73	04.08-	*	
1.3 HDi 75 (FHZ (F13DTE5))	Diesel	FWD	1248	55	75	10.10-	*	
1.3 HDi 80 (FHY (F13DTE6))	Diesel	FWD	1248	59	80	12.15-	*	
1.4 HDi (8HS (DV4TED))	Diesel	FWD	1398	50	68	04.08-	*	