

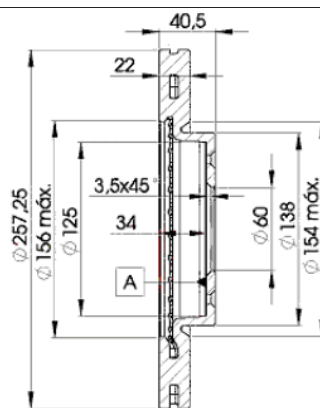
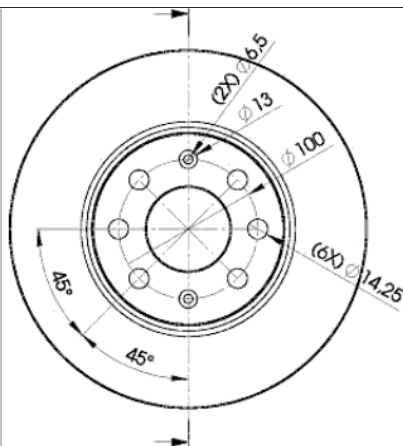
LISTA DE APLICACIONES - BUYERS GUIDE

78RBD20920



8 424073 151179

Weight: 10.236



78RBD20920

(E1) 90R-02C0538/0116



Ø257x22x40.5

Sin Filas

O.E.M.	MAKE
13317922	VAUXHALL
5 570 092 0	FIAT
5 570 092 1	FIAT
5 570 256 9	FIAT
5 69 024	OPEL
569065	OPEL
6001073179	FIAT
6001073181	FIAT
71773402	FIAT
71773404	FIAT
93 188 917	VAUXHALL
93 197 241	VAUXHALL



Trac.	CC	Kw	CV
-------	----	----	----



Front / Rear

FIAT

					[CAMBIADO]:Fastback (Supermini car-B Segment)				
GRANDE PUNTO (199_) 06.05-									
1.2		Gasolina	FWD	1172	50	68	06.09-07.14	*	
1.2 (199 A4.000)		Gasolina	FWD	1242	48	65	10.05-	*	
1.2 (169 A4.000)		Gasolina	FWD	1242	51	69	09.10-	*	
1.4 (199AXB1A) (199 A7.000)		Gasolina	FWD	1368	55	75	10.05-07.07	*	
1.4 (199AXB11, 199AXB1A, 199BXB1A, 199AXL1A) (350 A1.000)		Gasolina	FWD	1368	57	77	06.05-12.15	*	
1.4 16V		Gasolina	FWD	1368	66	90	06.09-07.14	*	
1.4 16V (199BXG1B, 199AXG1B) (199 A6.000)		Gasolina	FWD	1368	70	95	10.05-08.11	*	
1.6		Gasolina	FWD	1598	85	117	02.11-	*	
1.8 16V		Gasolina	FWD	1747	96	131	07.10-07.12	*	
1.2 LPG (199BXA1A, 199AXA1A) (199 A4.000)		Gasol./Gas (LPG)	FWD	1242	51	69	06.08-12.12	*	
1.4 LPG (350 A1.000)		Gasol./Gas (LPG)	FWD	1368	57	78	12.08-	*	
1.4 Natural Power (350 A1.000)		Gasol./Gas (CNG)	FWD	1368	57	78	07.08-	*	
1.3 D Multijet (199 B2.000)		Diesel	FWD	1248	51	69	07.08-	*	
1.3 D Multijet (199 A2.000)		Diesel	FWD	1248	55	75	10.05-06.13	*	
1.3 D Multijet (199 A2.000)		Diesel	FWD	1248	56	76	06.09-07.14	*	
GRANDE PUNTO (199_) 10.05-06.13					Furgón/hatchback (Supermini car-B Segment)				
1.4 (199CXB1A, 199DXB1A) (350 A1.000)		Gasolina	FWD	1368	57	77	02.06-06.13	*	
1.4 LPG (199CXB1A, 199DXB1A) (350 A1.000)		Gasol./Gas (LPG)	FWD	1368	57	77	03.09-12.12	*	

LISTA DE APLICACIONES - BUYERS GUIDE

1.4 Natural Power (199BXB1A) (350 A1.000)	Gasol./Gas (CNG)	FWD	1368	57	77	03.09-12.12	*
1.3 JTD Multijet (199CXD1B) (199 A2.000)	Diesel	FWD	1248	55	75	02.06-06.13	*
PUNTO III (199_) 01.12-						[CAMBIADO]:Fastback (Supermini car-B Segment)	
0.9 Twinair Turbo (312 A2.000)	Gasolina	FWD	875	63	86	03.12-	*
0.9 (199 B6.000)	Gasolina	FWD	875	74	101	12.13-	*
0.9 (199 B7.000)	Gasolina	FWD	875	74	101	12.13-	*
0.9 (199 B6.000)	Gasolina	FWD	875	77	105	07.13-	*
1.2 (199AYL1A, 199BYL1A) (199 B9.000)	Gasolina	FWD	1242	49	67	02.14-	*
1.2 (199AXZ1A, 199BXZ1A) (169 A4.000)	Gasolina	FWD	1242	51	69	03.12-	*
1.4 (199AXH1A, 199BXH1A) (199 A7.000)	Gasolina	FWD	1368	55	75	03.12-	*
1.4 (199AXB1A, 199BXB1A, 199BXB11, 199AXB11) (350 A1.000)	Gasolina	FWD	1368	57	78	03.12-	*
1.4 Flex	Gasolina	FWD	1368	63	86	09.14-	*
1.4	Gasolina	FWD	1368	64	87	03.12-	*
1.4 Multiair (955 A6.000)	Gasolina	FWD	1368	77	105	03.12-	*
0.9 Bifuel (312 A2.000)	Gasol./Gas (LPG)	FWD	875	63	86	03.12-	*
1.4 BiFuel (350 A1.000)	Gasol./Gas (LPG)	FWD	1368	57	78	03.12-	*
1.4 Natural Power (350 A1.000)	Gasol./Gas (CNG)	FWD	1368	57	78	03.12-	*
1.4 Flex (310 A2.011)	Gasol./Etanol	FWD	1368	65	88	03.12-	*
1.3 D Multijet (199 A2.000)	Diesel	FWD	1248	55	75	03.12-	*
1.3 D Multijet (199 A9.000)	Diesel	FWD	1248	55	75	03.12-	*
1.3 D Multijet (199 B8.000)	Diesel	FWD	1248	59	80	12.13-	*
PUNTO III (199_) 04.08-						Furgón/hatchback (LCVs-N1 Segment)	
0.9 Twinair Turbo (312 A2.000)	Gasolina	FWD	875	63	86	03.12-	*
1.4 (199BXB1A, 199AXL1A, 199AXB1A) (350 A1.000)	Gasolina	FWD	1368	57	78	03.12-	*
1.4 LPG (199AXB1A, 199BXB1A, 199AXL1A) (350 A1.000)	Gasol./Gas (LPG)	FWD	1368	57	78	03.12-	*
1.4 Natural Power (199AXB1A, 199AXL1A) (350 A1.000)	Gasol./Gas (CNG)	FWD	1368	57	78	03.09-	*
1.3 D Multijet (199 A2.000)	Diesel	FWD	1248	55	75	04.08-	*
1.3 D Multijet (199 A9.000)	Diesel	FWD	1248	55	75	04.08-	*
PUNTO EVO (199_) 07.08-						[CAMBIADO]:Fastback (Supermini car-B Segment)	
1.2 (199BXL1A)	Gasolina	FWD	1172	50	68	10.14-	*
1.2 (199 A4.000)	Gasolina	FWD	1242	48	65	10.09-02.12	*
1.2 (169 A4.000)	Gasolina	FWD	1242	51	69	10.09-02.12	*
1.4 (199AXH1A) (199 A7.000)	Gasolina	FWD	1368	55	75	07.09-02.12	*
1.4 (199AXB1A) (350 A1.000)	Gasolina	FWD	1368	57	77	10.09-02.12	*
1.4 16V (955 A6.000)	Gasolina	FWD	1368	77	105	10.09-02.12	*
1.4 LPG (350 A1.000)	Gasol./Gas (LPG)	FWD	1368	57	78	06.09-02.12	*
1.4 Natural Power (350 A1.000)	Gasol./Gas (CNG)	FWD	1368	57	78	10.09-02.12	*
1.3 D Multijet (199 B2.000)	Diesel	FWD	1248	51	69	07.08-02.12	*
1.3 D Multijet (199AXC1A, 199BXC1A, 199AXT1A, 199BXT1A) (199 A2.000)	Diesel	FWD	1248	55	75	10.09-02.12	*
1.3 D Multijet (199AXC1A, 199BXC1A, 199AXT1A, 199BXT1A) (199 A9.000)	Diesel	FWD	1248	55	75	10.09-02.12	*
1.3 D Multijet (199BXC1A) (199 A2.000)	Diesel	FWD	1248	56	76	09.10-	*

LISTA DE APLICACIONES - BUYERS GUIDE

1.3 D Multijet (199BXC1A) (199 A9.000)		Diesel	FWD	1248	56	76	09.10-	*	
1.3 D Multijet (199AXD1B, 199AXD1A, 199BXD1B, 199BXD1A,... (199 A3.000)		Diesel	FWD	1248	66	90	10.09-02.12	*	
PUNTO EVO (199_) 03.09-02.12							Furgón/hatchback (LCVs-N1 Segment)		
1.4 (199.AXB1A) (350 A1.000)		Gasolina	FWD	1368	57	78	03.09-02.12	*	
1.3 D Multijet (199.AXT1A, 199.AXC1A) (199 A2.000)		Diesel	FWD	1248	55	75	03.09-02.12	*	
1.3 D Multijet (199.AXT1A, 199.AXC1A) (199 A9.000)		Diesel	FWD	1248	55	75	03.09-02.12	*	
1.3 D Multijet (199CXD1B, 199CXD1A) (199 A3.000)		Diesel	FWD	1248	66	90	03.09-02.12	*	
1.3 D Multijet (199.AXU1A) (199 B1.000)		Diesel	FWD	1248	70	95	03.09-02.12	*	
GERMAN E CARS									
CETOS 09.11-							[CAMBIADO]:Fastback ()		
Elektro		Eléctrico	FWD		60	82	09.11-	*	
OPEL									
ADAM (M13) 10.12-							[CAMBIADO]:Fastback (City car-A Segment)		
1.0 (B 10 XFL)		Gasolina	FWD	999	66	90	07.14-11.18	*	
1.0 (D 10 XFL)		Gasolina	FWD	999	66	90	07.14-11.18	*	
1.0 (B 10 XFT)		Gasolina	FWD	999	85	115	07.14-11.18	*	
1.0 (D 10 XFT)		Gasolina	FWD	999	85	115	07.14-11.18	*	
1.2 (A 12 XEL)		Gasolina	FWD	1229	51	69	10.12-05.19	*	
1.2 (B 12 XEL)		Gasolina	FWD	1229	51	69	10.12-05.19	*	
1.2 (D 12 XEL)		Gasolina	FWD	1229	51	69	10.12-05.19	*	
1.4 S (B 14 NEH)		Gasolina	FWD	1364	110	150	11.14-05.19	*	
1.4 S (D 14 NEH)		Gasolina	FWD	1364	110	150	11.14-05.19	*	
1.4 (A 14 XEL)		Gasolina	FWD	1398	64	87	10.12-05.19	*	
1.4 (B 14 XEL)		Gasolina	FWD	1398	64	87	10.12-05.19	*	
1.4 (D 14 XEL)		Gasolina	FWD	1398	64	87	10.12-05.19	*	
1.4 (A 14 XER)		Gasolina	FWD	1398	74	101	10.12-05.19	*	
1.4 (B 14 XER)		Gasolina	FWD	1398	74	101	10.12-05.19	*	
1.4 (D 14 XER)		Gasolina	FWD	1398	74	101	10.12-05.19	*	
1.4 LPG (A 14 XEL)		Gasol./Gas (LPG)	FWD	1398	64	87	07.13-11.18	*	
1.4 LPG (B 14 XEL)		Gasol./Gas (LPG)	FWD	1398	64	87	07.13-11.18	*	
1.4 LPG (D 14 XEL)		Gasol./Gas (LPG)	FWD	1398	64	87	07.13-11.18	*	
CORSA D (S07) 07.06-							[CAMBIADO]:Fastback (Supermini car-B Segment)		
1.0 (L08, L68) (Z 10 XEP)		Gasolina	FWD	998	44	60	07.06-12.10	*	
1.0 (L08, L68) (A 10 XEP)		Gasolina	FWD	998	48	65	12.09-08.14	*	
1.2 (L08, L68) (A 12 XEL)		Gasolina	FWD	1229	51	69	12.09-08.14	*	
1.2 (L08, L68) (Z 12 XEP)		Gasolina	FWD	1229	59	80	07.06-08.14	*	
1.2 (L08, L68) (A 12 XER)		Gasolina	FWD	1229	63	86	12.09-08.14	*	
1.4 (L08, L68) (Z 14 XEP)		Gasolina	FWD	1364	66	90	07.06-08.14	*	
1.4 (L08, L68) (A 14 XEL)		Gasolina	FWD	1398	64	87	09.09-08.14	*	
1.4 (L08, L68) (A 14 XER)		Gasolina	FWD	1398	74	100	12.09-08.14	*	
1.2 LPG (L08, L68) (Z 12 XEP)		Gasol./Gas (LPG)	FWD	1229	55	75	09.09-12.11	*	
1.2 LPG (L08, L68) (Z 12 XEP)		Gasol./Gas (LPG)	FWD	1229	59	80	08.06-08.14	*	
1.2 LPG (L08, L68) (A 12 XER)		Gasol./Gas (LPG)	FWD	1229	61	83	06.11-08.14	*	
1.2 LPG (L08, L68) (A 12 XER)		Gasol./Gas (LPG)	FWD	1229	63	86	06.11-08.14	*	

LISTA DE APLICACIONES - BUYERS GUIDE

1.4 LPG (L08, L68) (Z 14 XEP)		Gasol./Gas (LPG)	FWD	1364	66	90	08.06-12.11	*	
1.4 LPG (L08, L68) (A 14 XEL)		Gasol./Gas (LPG)	FWD	1398	64	87	09.09-08.14	*	
1.3 CDTI (L08, L68) (A 13 DTC)		Diesel	FWD	1248	55	75	07.06-08.14	*	
1.3 CDTI (L08, L68) (Z 13 DTJ)		Diesel	FWD	1248	55	75	07.06-08.14	*	
1.3 CDTI (L08, L68) (A 13 DTE)		Diesel	FWD	1248	70	95	06.09-08.14	*	
1.3 CDTI (L08, L68) (A 13 DTR)		Diesel	FWD	1248	70	95	06.09-08.14	*	
1.3 CDTI (L08, L68) (Z 13 DTE)		Diesel	FWD	1248	70	95	06.09-08.14	*	
CORSA D (S07) 07.06-							Furgón/hatchback (LCVs-N1 Segment)		
1.0 (L08) (A 10 XEP)		Gasolina	FWD	998	44	60	08.06-08.14	*	
1.0 (L08) (A 10 XEP)		Gasolina	FWD	998	48	65	01.10-08.14	*	
1.2 (L08) (A 12 XEL)		Gasolina	FWD	1229	51	69	01.10-08.14	*	
1.2 (L08) (Z 12 XEP)		Gasolina	FWD	1229	59	80	08.06-08.14	*	
1.2 (L08) (A 12 XER)		Gasolina	FWD	1229	63	86	06.10-08.14	*	
1.4 (L08) (A 14 XER)		Gasolina	FWD	1398	74	101	07.12-08.14	*	
1.3 CDTI (L08) (A 13 DTC)		Diesel	FWD	1248	55	75	07.06-08.14	*	
1.3 CDTI (L08) (Z 13 DTJ)		Diesel	FWD	1248	55	75	07.06-08.14	*	
1.3 CDTI (L08) (A 13 DTE)		Diesel	FWD	1248	70	95	11.09-08.14	*	
1.3 CDTI (L08) (A 13 DTR)		Diesel	FWD	1248	70	95	11.09-08.14	*	
1.3 CDTI (L08) (Z 13 DTE)		Diesel	FWD	1248	70	95	11.09-08.14	*	
CORSA E (X15) 09.14-							[CAMBIADO]:Fastback (Supermini car-B Segment)		
1.0 (08, 68) (B 10 XFL)		Gasolina	FWD	999	66	90	09.14-	*	
1.0 (08, 68) (D 10 XFL)		Gasolina	FWD	999	66	90	09.14-	*	
1.0 (08, 68) (F 10 XFL)		Gasolina	FWD	999	66	90	09.14-	*	
1.0 (08, 68) (B 10 XFT)		Gasolina	FWD	999	85	115	09.14-	*	
1.0 (08, 68) (D 10 XFT)		Gasolina	FWD	999	85	115	09.14-	*	
1.2 (08, 68) (B 12 XEL)		Gasolina	FWD	1229	51	69	09.14-	*	
1.4 Turbo (08, 68) (B 14 NEJ)		Gasolina	FWD	1364	74	101	09.14-06.19	*	
1.4 Turbo (08, 68) (D 14 NEJ)		Gasolina	FWD	1364	74	101	09.14-06.19	*	
1.4 Turbo (08, 68) (B 14 NEH)		Gasolina	FWD	1364	110	150	03.15-	*	
1.4 Turbo (08, 68) (D 14 NEH)		Gasolina	FWD	1364	110	150	03.15-	*	
1.4 (08, 68) (B 14 XEJ)		Gasolina	FWD	1398	55	75	09.14-	*	
1.4 (08, 68) (B 14 XEL)		Gasolina	FWD	1398	66	90	09.14-	*	
1.4 (08, 68) (D 14 XEL)		Gasolina	FWD	1398	66	90	09.14-	*	
1.4 LPG (08, 68) (B 14 XEL)		Gasol./Gas (LPG)	FWD	1398	64	87	11.15-	*	
1.4 LPG (08, 68) (B 14 XEL)		Gasol./Gas (LPG)	FWD	1398	66	90	03.15-	*	
1.3 CDTI (08, 68) (B 13 DTC)		Diesel	FWD	1248	55	75	09.14-	*	
1.3 CDTI (08, 68) (B 13 DTN)		Diesel	FWD	1248	55	75	09.14-	*	
1.3 CDTI (08, 68) (B 13 DTE)		Diesel	FWD	1248	70	95	09.14-	*	
1.3 CDTI (08, 68) (B 13 DTR)		Diesel	FWD	1248	70	95	09.14-	*	
CORSA E (X15) 09.14-							Furgón/hatchback (LCVs-N1 Segment)		
1.2 (08) (B 12 XEL)		Gasolina	FWD	1229	51	69	01.15-	*	
1.4 (08) (B 14 XEJ)		Gasolina	FWD	1398	55	75	09.14-	*	
1.4 (08) (B 14 XEL)		Gasolina	FWD	1398	66	90	09.14-	*	
1.3 CDTI (08) (B 13 DTC)		Diesel	FWD	1248	55	75	01.15-	*	
1.3 CDTI (08) (B 13 DTN)		Diesel	FWD	1248	55	75	01.15-	*	
1.3 CDTI (08) (B 13 DTE)		Diesel	FWD	1248	70	95	09.14-	*	
1.3 CDTI (08) (B 13 DTR)		Diesel	FWD	1248	70	95	09.14-	*	

VAUXHALL

LISTA DE APLICACIONES - BUYERS GUIDE

					[CAMBIADO]:Fastback (City car-A Segment)				
ADAM (M13) 10.12-									
1.0 (B 10 XFT)		Gasolina	FWD	999	85	116	07.14-11.18	*	
1.0 (D 10 XFT)		Gasolina	FWD	999	85	116	07.14-11.18	*	
1.2 (A 12 XEL)		Gasolina	FWD	1229	51	69	10.12-04.19	*	
1.2 (B 12 XEL)		Gasolina	FWD	1229	51	69	10.12-04.19	*	
1.4 S (B 14 NEH)		Gasolina	FWD	1364	110	150	11.14-01.19	*	
1.4 (A 14 XEL)		Gasolina	FWD	1398	64	87	10.12-02.19	*	
1.4 (B 14 XEL)		Gasolina	FWD	1398	64	87	10.12-02.19	*	
1.4 (A 14 XER)		Gasolina	FWD	1398	74	101	10.12-02.19	*	
1.4 (B 14 XER)		Gasolina	FWD	1398	74	101	10.12-02.19	*	
CORSA Mk III (D) (S07) 07.06-08.14					[CAMBIADO]:Fastback (Supermini car-B Segment)				
1.0 (L08) (Z 10 XEP)		Gasolina	FWD	998	44	60	08.06-08.14	*	
1.0 i 12V (L08) (A 10 XEP)		Gasolina	FWD	998	48	65	01.10-08.14	*	
1.2 (L08) (A 12 XEL)		Gasolina	FWD	1229	51	69	06.10-08.14	*	
1.2 (L08) (Z 12 XEP)		Gasolina	FWD	1229	59	80	08.06-08.14	*	
1.2 i 16V (L08) (A 12 XER)		Gasolina	FWD	1229	63	86	12.09-08.14	*	
1.4 (L08) (Z 14 XEP)		Gasolina	FWD	1364	66	90	08.06-08.14	*	
1.4 (L08) (A 14 XER)		Gasolina	FWD	1398	74	101	01.10-08.14	*	
1.2 LPG (L08) (Z 12 XEP)		Gasol./Gas (LPG)	FWD	1229	59	80	09.09-08.14	*	
1.2 LPG		Gasol./Gas (LPG)	FWD	1229	61	83	06.11-08.14	*	
1.2 LPG (L08) (A 12 XER)		Gasol./Gas (LPG)	FWD	1229	63	86	08.11-08.14	*	
1.4 LPG (L08) (Z 14 XEP)		Gasol./Gas (LPG)	FWD	1364	66	90	07.06-08.14	*	
1.4 LPG		Gasol./Gas (LPG)	FWD	1398	64	87	09.09-08.14	*	
1.3 CDTI (L08) (A 13 DTC)		Diesel	FWD	1248	55	75	08.06-08.14	*	
1.3 CDTI (L08) (Z 13 DTJ)		Diesel	FWD	1248	55	75	08.06-08.14	*	
1.3 CDTI (L08) (Z 13 DTH)		Diesel	FWD	1248	66	90	08.06-08.14	*	
1.3 CDTI (L08) (A 13 DTE)		Diesel	FWD	1248	70	95	07.10-08.14	*	
1.3 CDTI (L08) (A 13 DTR)		Diesel	FWD	1248	70	95	07.10-08.14	*	
1.3 CDTI (L08) (Z 13 DTE)		Diesel	FWD	1248	70	95	07.10-08.14	*	
CORSA Mk IV (E) (X15) 08.14-					[CAMBIADO]:Fastback (Supermini car-B Segment)				
1.0 (B 10 XFL)		Gasolina	FWD	999	66	90	08.14-	*	
1.0 (D 10 XFL)		Gasolina	FWD	999	66	90	08.14-	*	
1.0 (F 10 XFL)		Gasolina	FWD	999	66	90	08.14-	*	
1.0 (B 10 XFT)		Gasolina	FWD	999	85	116	08.14-	*	
1.0 (D 10 XFT)		Gasolina	FWD	999	85	116	08.14-	*	
1.2 (B 12 XEL)		Gasolina	FWD	1229	51	69	08.14-	*	
1.4 (B 14 NEJ)		Gasolina	FWD	1364	74	101	08.14-	*	
1.4 (D 14 NEJ)		Gasolina	FWD	1364	74	101	08.14-	*	
1.4 (B 14 NEH)		Gasolina	FWD	1364	110	150	07.15-	*	
1.4 (B 14 XEJ)		Gasolina	FWD	1398	55	75	09.14-	*	
1.4 (B 14 XEL)		Gasolina	FWD	1398	66	90	08.14-	*	
1.4 (D 14 XEL)		Gasolina	FWD	1398	66	90	08.14-	*	
1.3 CDTi (B 13 DTC)		Diesel	FWD	1248	55	75	08.14-	*	
1.3 CDTi (B 13 DTN)		Diesel	FWD	1248	55	75	08.14-	*	
1.3 CDTi (B 13 DTE)		Diesel	FWD	1248	70	95	08.14-	*	
1.3 CDTi (B 13 DTR)		Diesel	FWD	1248	70	95	08.14-	*	

LISTA DE APLICACIONES - BUYERS GUIDE

CORSAVAN Mk III (D) (S07) 07.06-					Furgón/hatchback (LCVs-N1 Segment)			
1.2 (A 12 XEL)		Gasolina	FWD	1229	51	69	01.10-	*
1.2 (Z 12 XEP)		Gasolina	FWD	1229	59	80	07.09-	*
1.3 CDTi (A 13 DTC)		Diesel	FWD	1248	55	75	07.06-	*
1.3 CDTi (Z 13 DTJ)		Diesel	FWD	1248	55	75	07.06-	*
1.3 CDTi (Z 13 DTH)		Diesel	FWD	1248	66	90	07.06-	*
1.3 CDTi (A 13 DTE)		Diesel	FWD	1248	70	95	07.06-	*
1.3 CDTi (A 13 DTR)		Diesel	FWD	1248	70	95	07.06-	*
1.3 CDTi (Z 13 DTE)		Diesel	FWD	1248	70	95	07.06-	*
CORSAVAN Mk IV (E) (X15) 10.14-					Furgón/hatchback (LCVs-N1 Segment)			
1.2 (B 12 XEL)		Gasolina	FWD	1229	51	69	10.14-	*
1.3 CDTi (B 13 DTC)		Diesel	FWD	1248	55	75	10.14-	*
1.3 CDTi (B 13 DTN)		Diesel	FWD	1248	55	75	10.14-	*
1.3 CDTi (B 13 DTE)		Diesel	FWD	1248	70	95	10.14-	*
1.3 CDTi (B 13 DTR)		Diesel	FWD	1248	70	95	10.14-	*