

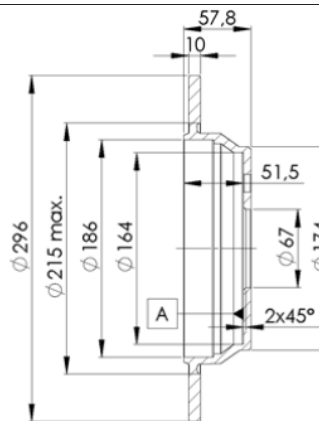
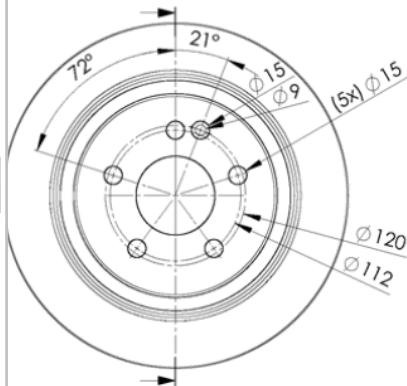
LISTA DE APLICACIONES - BUYERS GUIDE

78RBD20416



Weight: 9.932

O.E.M.	MAKE
639 423 01 12	MERCEDES-BENZ



78RBD20416

E1 90R-02C0453/0108



Ø296x10x57.8

Sin Filas



Trac.	CC	Kw	CV
-------	----	----	----



Front / Rear

MERCEDES-BENZ

VIANO II (W639) 09.03-

Bus (Minibus-M2-Segment)

3.2 (639.711, 639.811, 639.813) (M 112.951)	Gasolina	RWD	3199	140	190	09.03-	*
3.2 (639.713, 639.813, 639.815) (M 112.951)	Gasolina	RWD	3199	160	218	09.03-	*
3.5 (639.811, 639.813, 639.815) (M 272.978)	Gasolina	RWD	3498	190	258	09.07-	*
3.7 (639.811, 639.813, 639.815) (M 112.976)	Gasolina	RWD	3724	165	224	06.04-07.07	*
3.7 (639.815) (M 112.976)	Gasolina	RWD	3724	170	231	06.04-	*
CDI 2.2 (639.711, 639.713, 639.811, 639.813, 639.815)	Diesel	RWD	2143	70	95	09.10-	*
CDI 2.2 (639.811, 639.813, 639.815, 639.711, 639.713) (OM 651.940)	Diesel	RWD	2143	100	136	07.10-	*
CDI 2.2 4-matic (639.811, 639.813, 639.815, 639.711,...) (OM 651.940)	Diesel	4WD	2143	100	136	07.10-	*
CDI 2.2 (639.811, 639.813, 639.815, 639.711, 639.713) (OM 651.940)	Diesel	RWD	2143	110	150	01.14-	*
CDI 2.2 (639.811, 639.813, 639.815, 639.711, 639.713) (OM 651.940)	Diesel	RWD	2143	120	163	07.10-	*
CDI 2.2 4-matic (639.811, 639.813, 639.815, 639.711,...) (OM 651.940)	Diesel	4WD	2143	120	163	07.10-	*
CDI 2.2 (639.711, 639.713, 639.811, 639.813, 639.815) (OM 646.982)	Diesel	RWD	2148	80	109	09.03-	*
CDI 2.2 4-matic (639.713) (OM 646.982)	Diesel	4WD	2148	80	109	07.05-	*
CDI 2.2 (639.711, 639.713, 639.811, 639.813, 639.815) (OM 646.982)	Diesel	RWD	2148	85	116	08.05-	*
CDI 2.2 4-matic (639.713) (OM 646.982)	Diesel	4WD	2148	85	116	03.06-	*
CDI 2.2 (639.711, 639.713, 639.811, 639.813, 639.815) (OM 646.980)	Diesel	RWD	2148	110	150	09.03-	*
CDI 2.2 (639.711, 639.713, 639.811, 639.813, 639.815) (OM 646.982)	Diesel	RWD	2148	110	150	09.03-	*
CDI 2.2 4-matic (639.713) (OM 646.982)	Diesel	4WD	2148	110	150	07.05-	*
CDI 3.0 (639.811, 639.813, 639.815) (OM 642.990)	Diesel	RWD	2987	150	204	02.06-	*

LISTA DE APLICACIONES - BUYERS GUIDE

CDI 3.0 (639.811, 639.813, 639.815) (OM 642.890)	Diesel	RWD	2987	165	224	07.10-	*
VITO II (W639) 09.03-				Bus (Minibus-M2-Segment)			
119 (639.701, 639.703, 639.705) (M 112.951)	Gasolina	RWD	3199	140	190	09.03-	*
122 (639.701, 639.703, 639.705) (M 112.951)	Gasolina	RWD	3199	160	218	09.03-	*
126 (639.701, 639.703, 639.705) (M 272.978)	Gasolina	RWD	3498	190	258	09.07-	*
123 (639.701, 639.703, 639.705) (M 112.976)	Gasolina	RWD	3724	165	224	06.04-07.08	*
123 (639.701) (M 112.976)	Gasolina	RWD	3724	170	231	06.04-07.08	*
E-CELL (639.703) (EM 780.994)	Eléctrico	FWD		60	82	03.12-	*
110 CDI (639.701, 639.703, 639.705) (OM 651.940)	Diesel	RWD	2143	70	95	09.10-08.14	*
113 CDI (639.701, 639.703, 639.705) (OM 651.940)	Diesel	RWD	2143	100	136	09.10-	*
113 CDI 4x4 (639.701, 639.703, 639.705) (OM 651.940)	Diesel	4WD	2143	100	136	09.10-08.14	*
115 CDI (639.701, 639.703, 639.705)	Diesel	RWD	2143	110	150	05.12-02.15	*
116 CDI (639.701, 639.703, 639.705) (OM 651.940)	Diesel	RWD	2143	120	163	09.10-	*
116 CDI 4x4 (639.701, 639.703, 639.705) (OM 651.940)	Diesel	4WD	2143	120	163	09.10-08.14	*
109 CDI (639.701, 639.703, 639.705) (OM 646.983)	Diesel	RWD	2148	65	88	09.03-	*
109 CDI (639.701, 639.703, 639.705) (OM 646.980)	Diesel	RWD	2148	70	95	09.06-	*
109 CDI 4x4 (639.701) (OM 646.981)	Diesel	4WD	2148	70	95	09.07-08.14	*
111 CDI (639.701, 639.703, 639.705) (OM 646.982)	Diesel	RWD	2148	80	109	09.03-	*
111 CDI 4x4 (639.701, 639.703, 639.705) (OM 646.982)	Diesel	4WD	2148	80	109	09.07-08.14	*
111 CDI (639.701, 639.703, 639.705) (OM 646.980)	Diesel	RWD	2148	85	116	09.07-	*
115 CDI (639.701, 639.703, 639.705) (OM 646.980)	Diesel	RWD	2148	110	150	09.03-	*
115 CDI (639.701, 639.703, 639.705) (OM 646.982)	Diesel	RWD	2148	110	150	09.03-	*
115 CDI 4x4 (639.701, 639.705) (OM 646.982)	Diesel	4WD	2148	110	150	09.07-08.14	*
120 CDI (639.701, 639.703, 639.705) (OM 642.990)	Diesel	RWD	2987	150	204	07.06-	*
122 CDI (639.701, 639.703, 639.705) (OM 642.890)	Diesel	RWD	2987	165	224	09.10-	*
VITO II / MIXTO (W639) 08.03-				[CAMBIADO]:Furgón (LCVs-N1 Segment)			
119 (639.601, 639.603, 639.605) (M 112.951)	Gasolina	RWD	3199	140	190	09.03-07.08	*
122 (639.601, 639.603, 639.605) (M 112.951)	Gasolina	RWD	3199	160	218	09.03-09.04	*
126 (639.601, 639.603, 639.605) (M 272.978)	Gasolina	RWD	3498	190	258	09.07-08.14	*
123 (639.601, 639.603, 639.605) (M 112.976)	Gasolina	RWD	3724	165	224	06.04-07.08	*
123 (639.601) (M 112.976)	Gasolina	RWD	3724	170	231	06.04-07.08	*
E-CELL (639.601, 639.603, 639.605) (EM 780.994)	Eléctrico	FWD		60	82	01.11-08.14	*
110 CDI (639.601, 639.603, 639.605) (OM 651.940)	Diesel	RWD	2143	70	95	09.10-08.14	*
111 CDI (639.601, 639.603, 639.605)	Diesel	RWD	2143	85	116	05.12-02.15	*
113 CDI (639.601, 639.603, 639.605) (OM 651.940)	Diesel	RWD	2143	100	136	09.10-08.14	*
113 CDI 4x4 (639.601, 639.603, 639.605) (OM 651.940)	Diesel	4WD	2143	100	136	09.10-08.14	*
115 CDI (639.605, 639.601, 639.603) (OM 651.940)	Diesel	RWD	2143	110	150	05.12-02.15	*
116 CDI (639.601, 639.603, 639.605) (OM 651.940)	Diesel	RWD	2143	120	163	09.10-08.14	*
116 CDI 4x4 (639.601, 639.603, 639.605) (OM 651.940)	Diesel	4WD	2143	120	163	09.10-08.14	*
109 CDI (639.601, 639.603, 639.605) (OM 646.983)	Diesel	RWD	2148	65	88	09.03-07.06	*
109 CDI (639.601, 639.603, 639.605) (OM 646.980)	Diesel	RWD	2148	70	95	08.06-08.14	*
109 CDI (639.601, 639.603, 639.605) (OM 646.981)	Diesel	RWD	2148	70	95	08.06-08.14	*
111 CDI (639.601, 639.603, 639.605) (OM 646.982)	Diesel	RWD	2148	80	109	09.03-08.07	*
111 CDI 4x4 (639.601, 639.603, 639.605) (OM 646.982)	Diesel	4WD	2148	80	109	09.07-08.14	*
111 CDI (639.601, 639.603, 639.605) (OM 646.980)	Diesel	RWD	2148	85	116	09.07-08.14	*
111 CDI (639.601, 639.603, 639.605) (OM 646.982)	Diesel	RWD	2148	85	116	09.07-08.14	*
115 CDI (639.601, 639.603, 639.605) (OM 646.980)	Diesel	RWD	2148	110	150	09.03-08.14	*
115 CDI (639.601, 639.603, 639.605) (OM 646.982)	Diesel	RWD	2148	110	150	09.03-08.14	*

LISTA DE APLICACIONES - BUYERS GUIDE

115 CDI 4x4 (639.601, 639.603, 639.605) (OM 646.982)	Diesel	4WD	2148	110	150	07.06-08.14	*
120 CDI (639.601, 639.603, 639.605) (OM 642.990)	Diesel	RWD	2987	150	204	03.06-08.14	*
122 CDI (639.601, 639.603, 639.605) (OM 642.890)	Diesel	RWD	2987	165	224	09.10-08.14	*
MERCEDES-BENZ (FJDA)							
VITO (W636) 01.10-03.16				Bus (Minibus-M2-Segment)			
119 2.5 (636.705)	Gasolina	RWD	2496	140	190	01.10-03.16	*
122 3.0 (636.705)	Gasolina	RWD	2996	165	224	05.13-03.16	*
2.1 (636.705)	Diesel	RWD	2143	110	150	08.13-03.16	*
115 CDI 2.2 (636.705)	Diesel	RWD	2148	110	150	01.10-12.11	*