

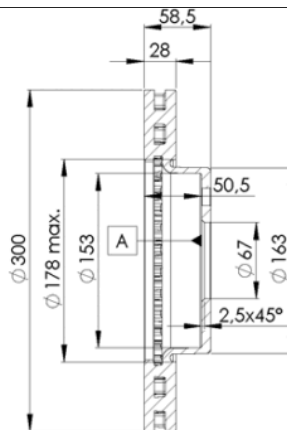
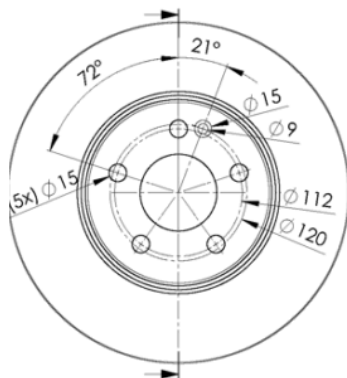
LISTA DE APLICACIONES - BUYERS GUIDE

78RBD20415



Weight: 16.932

O.E.M.	MAKE
447 421 05 12	MERCEDES-BENZ
639 421 00 12	MERCEDES-BENZ
639 421 02 12	MERCEDES-BENZ
639 421 03 12	MERCEDES-BENZ



78RBD20415

E1 90R-02C0538/0082



Ø300x28x58.5

Sin Filas



Trac.	CC	Kw	CV
-------	----	----	----



Front / Rear

MERCEDES-BENZ

MARCO POLO Camper (W447) 03.15-

Bus (Minibus-M2-Segment)

200 CDI (447.703, 447.813) (OM 654.920)	Diesel	RWD	1950	100	136	03.19-	*
200 CDI 4-matic (447.703, 447.813) (OM 654.920)	Diesel	4WD	1950	100	136	03.19-	*
220 CDI (447.703, 447.813) (OM 654.920)	Diesel	RWD	1950	120	163	03.19-	*
220 CDI 4-matic (447.703, 447.813) (OM 654.920)	Diesel	4WD	1950	120	163	03.19-	*
250 CDI (447.703, 447.813) (OM 654.920)	Diesel	RWD	1950	140	190	03.19-	*
250 CDI 4-matic (447.703, 447.813) (OM 654.920)	Diesel	4WD	1950	140	190	03.19-	*
300 CDI (447.813, 447.703) (15E4E)	Diesel	RWD	1950	174	237	01.21-	*
300 CDI 4-matic (447.813, 447.703)	Diesel	4WD	1950	174	237	01.21-	*
300 CDI (447.813, 447.703) (OM 654.920)	Diesel	RWD	1950	176	239	03.19-12.20	*
300 CDI 4-matic (447.813, 447.703) (OM 654.920)	Diesel	4WD	1950	176	239	03.19-12.20	*
200 CDI (447.703, 447.813) (OM 651.950)	Diesel	RWD	2143	100	136	03.15-	*
200 CDI 4-matic (447.703, 447.813) (OM 651.950)	Diesel	4WD	2143	100	136	03.15-	*
220 CDI (447.703, 447.813) (OM 651.950)	Diesel	RWD	2143	120	163	03.15-	*
220 CDI 4-matic (447.703, 447.813) (OM 651.950)	Diesel	4WD	2143	120	163	03.15-	*
250 CDI (447.703, 447.813) (OM 651.950)	Diesel	RWD	2143	140	190	03.15-	*
250 CDI 4-matic (447.703, 447.813) (OM 651.950)	Diesel	4WD	2143	140	190	03.15-	*

V-Class III (W447) 03.14-

Bus (Minibus-M2-Segment)

V 250 (447.813, 447.815) (M 274.920)	Gasolina	RWD	1991	155	211	03.14-	*
V 220 CDI / d (447.811, 447.813, 447.815) (OM 654.920)	Diesel	RWD	1950	120	163	03.19-	*
V 220 CDI / d 4-matic (447.811, 447.813, 447.815) (OM 654.920)	Diesel	4WD	1950	120	163	03.19-	*
V 250 CDI / d (447.811, 447.813, 447.815) (OM 654.920)	Diesel	RWD	1950	140	190	03.19-	*

LISTA DE APLICACIONES - BUYERS GUIDE

V 250 CDI / d 4-matic (447.811, 447.813) (OM 654.920)	Diesel	4WD	1950	140	190	03.19-	*
V 300 CDI / d (447.811, 447.813, 447.815)	Diesel	RWD	1950	174	237	01.21-	*
V 300 CDI / d 4-matic (447.811, 447.813)	Diesel	4WD	1950	174	237	01.21-	*
V 300 CDI / d (447.811, 447.813, 447.815) (OM 654.920)	Diesel	RWD	1950	176	239	03.19-12.20	*
V 300 CDI / d 4-matic (447.811, 447.813) (OM 654.920)	Diesel	4WD	1950	176	239	03.19-12.20	*
V 200 CDI / d (447.811, 447.813, 447.815) (OM 651.950)	Diesel	RWD	2143	100	136	03.14-	*
V 200 CDI / d 4-matic (447.811, 447.813, 447.815) (OM 651.950)	Diesel	4WD	2143	100	136	04.15-	*
V 220 CDI / d (447.811, 447.813, 447.815) (OM 651.950)	Diesel	RWD	2143	120	163	03.14-	*
V 220 CDI / d 4-matic (447.811, 447.813, 447.815) (OM 651.950)	Diesel	4WD	2143	120	163	03.15-	*
V 250 BlueTEC / d (447.811, 447.813, 447.815) (OM 651.950)	Diesel	RWD	2143	140	190	03.14-	*
V 250 BlueTEC / d 4-matic (447.811, 447.813, 447.815) (OM 651.950)	Diesel	4WD	2143	140	190	12.14-	*
VIANO II (W639) 09.03-				Bus (Minibus-M2-Segment)			
3.2 (639.711, 639.811, 639.813) (M 112.951)	Gasolina	RWD	3199	140	190	09.03-	*
3.2 (639.713, 639.813, 639.815) (M 112.951)	Gasolina	RWD	3199	160	218	09.03-	*
3.5 (639.811, 639.813, 639.815) (M 272.978)	Gasolina	RWD	3498	190	258	09.07-	*
3.7 (639.811, 639.813, 639.815) (M 112.976)	Gasolina	RWD	3724	165	224	06.04-07.07	*
3.7 (639.815) (M 112.976)	Gasolina	RWD	3724	170	231	06.04-	*
CDI 2.2 (639.711, 639.713, 639.811, 639.813, 639.815)	Diesel	RWD	2143	70	95	09.10-	*
CDI 2.2 (639.811, 639.813, 639.815, 639.711, 639.713) (OM 651.940)	Diesel	RWD	2143	100	136	07.10-	*
CDI 2.2 4-matic (639.811, 639.813, 639.815, 639.711,... (OM 651.940)	Diesel	4WD	2143	100	136	07.10-	*
CDI 2.2 (639.811, 639.813, 639.815, 639.711, 639.713) (OM 651.940)	Diesel	RWD	2143	110	150	01.14-	*
CDI 2.2 (639.811, 639.813, 639.815, 639.711, 639.713) (OM 651.940)	Diesel	RWD	2143	120	163	07.10-	*
CDI 2.2 4-matic (639.811, 639.813, 639.815, 639.711,... (OM 651.940)	Diesel	4WD	2143	120	163	07.10-	*
CDI 2.2 (639.711, 639.713, 639.811, 639.813, 639.815) (OM 646.982)	Diesel	RWD	2148	80	109	09.03-	*
CDI 2.2 4-matic (639.713) (OM 646.982)	Diesel	4WD	2148	80	109	07.05-	*
CDI 2.2 (639.711, 639.713, 639.811, 639.813, 639.815) (OM 646.982)	Diesel	RWD	2148	85	116	08.05-	*
CDI 2.2 4-matic (639.713) (OM 646.982)	Diesel	4WD	2148	85	116	03.06-	*
CDI 2.2 (639.711, 639.713, 639.811, 639.813, 639.815) (OM 646.980)	Diesel	RWD	2148	110	150	09.03-	*
CDI 2.2 (639.711, 639.713, 639.811, 639.813, 639.815) (OM 646.982)	Diesel	RWD	2148	110	150	09.03-	*
CDI 2.2 4-matic (639.713) (OM 646.982)	Diesel	4WD	2148	110	150	07.05-	*
CDI 3.0 (639.811, 639.813, 639.815) (OM 642.990)	Diesel	RWD	2987	150	204	02.06-	*
CDI 3.0 (639.811, 639.813, 639.815) (OM 642.890)	Diesel	RWD	2987	165	224	07.10-	*
VITO II (W639) 09.03-				Bus (Minibus-M2-Segment)			
119 (639.701, 639.703, 639.705) (M 112.951)	Gasolina	RWD	3199	140	190	09.03-	*
122 (639.701, 639.703, 639.705) (M 112.951)	Gasolina	RWD	3199	160	218	09.03-	*
126 (639.701, 639.703, 639.705) (M 272.978)	Gasolina	RWD	3498	190	258	09.07-	*
123 (639.701, 639.703, 639.705) (M 112.976)	Gasolina	RWD	3724	165	224	06.04-07.08	*
123 (639.701) (M 112.976)	Gasolina	RWD	3724	170	231	06.04-07.08	*
E-CELL (639.703) (EM 780.994)	Eléctrico	FWD		60	82	03.12-	*
110 CDI (639.701, 639.703, 639.705) (OM 651.940)	Diesel	RWD	2143	70	95	09.10-08.14	*
113 CDI (639.701, 639.703, 639.705) (OM 651.940)	Diesel	RWD	2143	100	136	09.10-	*
113 CDI 4x4 (639.701, 639.703, 639.705) (OM 651.940)	Diesel	4WD	2143	100	136	09.10-08.14	*

LISTA DE APLICACIONES - BUYERS GUIDE

115 CDI (639.701, 639.703, 639.705)		Diesel	RWD	2143	110	150	05.12-02.15	*	
116 CDI (639.701, 639.703, 639.705) (OM 651.940)		Diesel	RWD	2143	120	163	09.10-	*	
116 CDI 4x4 (639.701, 639.703, 639.705) (OM 651.940)		Diesel	4WD	2143	120	163	09.10-08.14	*	
109 CDI (639.701, 639.703, 639.705) (OM 646.983)		Diesel	RWD	2148	65	88	09.03-	*	
109 CDI (639.701, 639.703, 639.705) (OM 646.980)		Diesel	RWD	2148	70	95	09.06-	*	
109 CDI 4x4 (639.701) (OM 646.981)		Diesel	4WD	2148	70	95	09.07-08.14	*	
111 CDI (639.701, 639.703, 639.705) (OM 646.982)		Diesel	RWD	2148	80	109	09.03-	*	
111 CDI 4x4 (639.701, 639.703, 639.705) (OM 646.982)		Diesel	4WD	2148	80	109	09.07-08.14	*	
111 CDI (639.701, 639.703, 639.705) (OM 646.980)		Diesel	RWD	2148	85	116	09.07-	*	
115 CDI (639.701, 639.703, 639.705) (OM 646.980)		Diesel	RWD	2148	110	150	09.03-	*	
115 CDI (639.701, 639.703, 639.705) (OM 646.982)		Diesel	RWD	2148	110	150	09.03-	*	
115 CDI 4x4 (639.701, 639.705) (OM 646.982)		Diesel	4WD	2148	110	150	09.07-08.14	*	
120 CDI (639.701, 639.703, 639.705) (OM 642.990)		Diesel	RWD	2987	150	204	07.06-	*	
122 CDI (639.701, 639.703, 639.705) (OM 642.890)		Diesel	RWD	2987	165	224	09.10-	*	
VITO II / MIXTO (W639) 08.03-							[CAMBIADO]:Furgón (LCVs-N1 Segment)		
119 (639.601, 639.603, 639.605) (M 112.951)		Gasolina	RWD	3199	140	190	09.03-07.08	*	
122 (639.601, 639.603, 639.605) (M 112.951)		Gasolina	RWD	3199	160	218	09.03-09.04	*	
126 (639.601, 639.603, 639.605) (M 272.978)		Gasolina	RWD	3498	190	258	09.07-08.14	*	
123 (639.601, 639.603, 639.605) (M 112.976)		Gasolina	RWD	3724	165	224	06.04-07.08	*	
123 (639.601) (M 112.976)		Gasolina	RWD	3724	170	231	06.04-07.08	*	
E-CELL (639.601, 639.603, 639.605) (EM 780.994)		Eléctrico	FWD		60	82	01.11-08.14	*	
110 CDI (639.601, 639.603, 639.605) (OM 651.940)		Diesel	RWD	2143	70	95	09.10-08.14	*	
111 CDI (639.601, 639.603, 639.605)		Diesel	RWD	2143	85	116	05.12-02.15	*	
113 CDI (639.601, 639.603, 639.605) (OM 651.940)		Diesel	RWD	2143	100	136	09.10-08.14	*	
113 CDI 4x4 (639.601, 639.603, 639.605) (OM 651.940)		Diesel	4WD	2143	100	136	09.10-08.14	*	
115 CDI (639.605, 639.601, 639.603) (OM 651.940)		Diesel	RWD	2143	110	150	05.12-02.15	*	
116 CDI (639.601, 639.603, 639.605) (OM 651.940)		Diesel	RWD	2143	120	163	09.10-08.14	*	
116 CDI 4x4 (639.601, 639.603, 639.605) (OM 651.940)		Diesel	4WD	2143	120	163	09.10-08.14	*	
109 CDI (639.601, 639.603, 639.605) (OM 646.983)		Diesel	RWD	2148	65	88	09.03-07.06	*	
109 CDI (639.601, 639.603, 639.605) (OM 646.980)		Diesel	RWD	2148	70	95	08.06-08.14	*	
109 CDI (639.601, 639.603, 639.605) (OM 646.981)		Diesel	RWD	2148	70	95	08.06-08.14	*	
111 CDI (639.601, 639.603, 639.605) (OM 646.982)		Diesel	RWD	2148	80	109	09.03-08.07	*	
111 CDI 4x4 (639.601, 639.603, 639.605) (OM 646.982)		Diesel	4WD	2148	80	109	09.07-08.14	*	
111 CDI (639.601, 639.603, 639.605) (OM 646.980)		Diesel	RWD	2148	85	116	09.07-08.14	*	
111 CDI (639.601, 639.603, 639.605) (OM 646.982)		Diesel	RWD	2148	85	116	09.07-08.14	*	
115 CDI (639.601, 639.603, 639.605) (OM 646.980)		Diesel	RWD	2148	110	150	09.03-08.14	*	
115 CDI (639.601, 639.603, 639.605) (OM 646.982)		Diesel	RWD	2148	110	150	09.03-08.14	*	
115 CDI 4x4 (639.601, 639.603, 639.605) (OM 646.982)		Diesel	4WD	2148	110	150	07.06-08.14	*	
120 CDI (639.601, 639.603, 639.605) (OM 642.990)		Diesel	RWD	2987	150	204	03.06-08.14	*	
122 CDI (639.601, 639.603, 639.605) (OM 642.890)		Diesel	RWD	2987	165	224	09.10-08.14	*	
VITO III (W447) 10.14-							[CAMBIADO]:Furgón (LCVs-N1 Segment)		
2.0 (447.603, 447.605) (M 274.920)		Gasolina	RWD	1991	155	211	09.15-	*	
110 CDI (447.601, 447.603, 447.605)		Diesel	RWD	1950	75	102	10.21-	*	
114 CDI (447.601, 447.603, 447.605) (OM 654.920)		Diesel	RWD	1950	100	136	04.20-	*	
114 CDI 4x4 (447.601, 447.603, 447.605) (OM 654.920)		Diesel	4WD	1950	100	136	04.20-	*	
116 CDI (447.601, 447.603, 447.605) (OM 654.920)		Diesel	RWD	1950	120	163	04.20-	*	
116 CDI 4x4 (447.601, 447.603, 447.605) (OM 654.920)		Diesel	4WD	1950	120	163	04.20-	*	

LISTA DE APLICACIONES - BUYERS GUIDE

119 CDI (447.601, 447.603, 447.605) (OM 654.920)	Diesel	RWD	1950	140	190	04.20-	*
119 CDI 4x4 (447.601, 447.603, 447.605) (OM 654.920)	Diesel	4WD	1950	140	190	04.20-	*
VITO III (W447) 10.14-				Bus (Minibus-M2-Segment)			
119 (447.703)	Gasolina	RWD	1991	135	184	01.16-	*
2.0 (447.703, 447.705) (M 274.920)	Gasolina	RWD	1991	155	211	01.16-	*
119 Flex (447.703) (M 274.920)	Gasol./Etanol	RWD	1991	135	184	11.15-	*
114 CDI (447.701, 447.703, 447.705) (OM 654.920)	Diesel	RWD	1950	100	136	03.19-	*
114 CDI 4-matic (447.701, 447.703, 447.705) (OM 654.920)	Diesel	4WD	1950	100	136	03.19-	*
116 CDI (447.701, 447.703, 447.705) (OM 654.920)	Diesel	RWD	1950	120	163	03.19-	*
116 CDI 4-matic (447.701, 447.703, 447.705) (OM 654.920)	Diesel	4WD	1950	120	163	03.19-	*
119 CDI (447.701, 447.703, 447.705) (OM 654.920)	Diesel	RWD	1950	140	190	03.19-	*
119 CDI 4-matic (447.701, 447.703, 447.705) (OM 654.920)	Diesel	4WD	1950	140	190	03.19-	*
124 CDI (447.701, 447.703, 447.705)	Diesel	RWD	1950	174	237	01.21-	*
124 CDI 4-matic (447.701, 447.703, 447.705)	Diesel	4WD	1950	174	237	01.21-	*
124 CDI (447.701, 447.703, 447.705) (OM 654.920)	Diesel	RWD	1950	176	239	04.20-12.20	*
124 CDI 4-matic (447.701, 447.703, 447.705) (OM 654.920)	Diesel	4WD	1950	176	239	04.20-	*
119 CDI / 119 BlueTEC 4-matic (447.701, 447.703,...) (OM 651.950)	Diesel	4WD	2143	140	190	12.14-	*
VITO III Mixto (Double Cabin) (W447) 10.14-				[CAMBIADO]:Furgón (LCVs-N1 Segment)			
110 CDI (447.701, 447.703, 447.705)	Diesel	RWD	1950	75	102	10.21-	*
114 CDI (447.701, 447.703, 447.705) (OM 654.920)	Diesel	RWD	1950	100	136	03.19-	*
114 CDI 4-matic (447.701, 447.703, 447.705) (OM 654.920)	Diesel	4WD	1950	100	136	03.19-	*
116 CDI (447.701, 447.703, 447.705) (OM 654.920)	Diesel	RWD	1950	120	163	03.19-	*
116 CDI 4-matic (447.701, 447.703, 447.705) (OM 654.920)	Diesel	4WD	1950	120	163	03.19-	*
119 CDI (447.701, 447.703, 447.705) (OM 654.920)	Diesel	RWD	1950	140	190	03.19-	*
119 CDI 4-matic (447.701, 447.703, 447.705) (OM 654.920)	Diesel	4WD	1950	140	190	03.19-	*
124 CDI (447.701, 447.703, 447.705)	Diesel	RWD	1950	174	237	01.21-	*
124 CDI 4-matic (447.701, 447.703, 447.705)	Diesel	4WD	1950	174	237	01.21-	*
124 CDI (447.701, 447.703, 447.705) (OM 654.920)	Diesel	RWD	1950	176	239	04.20-12.20	*
124 CDI 4-matic (447.701, 447.703, 447.705) (OM 654.920)	Diesel	4WD	1950	176	239	04.20-12.20	*
MERCEDES-BENZ (FJDA)							
VITO (W636) 01.10-03.16				Bus (Minibus-M2-Segment)			
119 2.5 (636.705)	Gasolina	RWD	2496	140	190	01.10-03.16	*
122 3.0 (636.705)	Gasolina	RWD	2996	165	224	05.13-03.16	*
2.1 (636.705)	Diesel	RWD	2143	110	150	08.13-03.16	*
115 CDI 2.2 (636.705)	Diesel	RWD	2148	110	150	01.10-12.11	*