


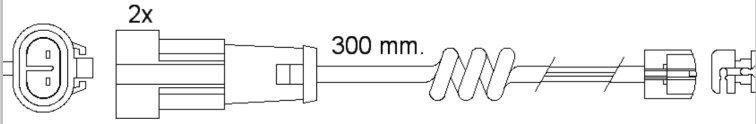
LISTA DE APLICACIONES - BUYERS GUIDE

**610470RB**




Weight: 48

O.E.M.	MAKE
425 562 05	IVECO



**610470RB**



300 mm.

WVA
29232

Sin Filas



Trac.	CC	Kw	CV
-------	----	----	----



**IVECO**

DAILY IV 05.06-03.12						[CAMBIADO]:Furgón (LCVs-N1 Segment)			
35C10, 35S10 (F1AE0481F)	Diesel	RWD	2287	70	95	05.06-08.11			*
40C10 V (F1AE0481F)	Diesel	RWD	2287	70	95	05.06-08.11			*
35C12 V, 35C12 V/P, 35S12 V, 35S12 V/P (F1AE0481G)	Diesel	RWD	2287	85	116	05.06-08.11			*
35C12 V, 35C12 V/P, 35S12 V, 35S12 V/P (F1AE0481R)	Diesel	RWD	2287	85	116	05.06-08.11			*
40C12 V, 40C14 V/P (F1AE0481G)	Diesel	RWD	2287	85	116	05.06-08.11			*
35C15 V, 35C15 V/P (F1CE0481F)	Diesel	RWD	2998	107	146	05.06-08.11			*
40C15 V, 40C15 V/P (F1CE0481F)	Diesel	RWD	2998	107	146	05.06-08.11			*
45C15 V (F1CE0481F)	Diesel	RWD	2998	107	146	05.06-08.11			*
50C15 V, 50C15 V/P (F1CE0481F)	Diesel	RWD	2998	107	146	05.06-08.11			*
35C18 V, 35C18 V/P, 35S18 V, 35S18 V/P (F1CE0481H)	Diesel	RWD	2998	130	176	05.06-08.11			*
40C18 V, 40C18 V/P (F1CE0481H)	Diesel	RWD	2998	130	176	05.06-08.11			*
45C18 (F1CE0481H)	Diesel	RWD	2998	130	176	05.06-08.11			*
50C18 V, 50C18 V/P (F1CE0481H)	Diesel	RWD	2998	130	176	05.06-08.11			*
DAILY IV 05.06-03.12						Caja/Chasis (LCVs-N1 Segment)			
35C10, 35S10 (F1AE0481F)	Diesel	RWD	2287	70	95	05.06-08.11			*
40C10 (F1AE0481F)	Diesel	RWD	2287	70	95	05.06-08.11			*
35C12, 35S12 (F1AE0481G)	Diesel	RWD	2287	85	116	05.06-08.11			*
35C12, 35S12 (F1AE0481R)	Diesel	RWD	2287	85	116	05.06-08.11			*
40C12 (F1AE0481G)	Diesel	RWD	2287	85	116	05.06-08.11			*
35C15 (F1CE0481F)	Diesel	RWD	2998	107	146	05.06-08.11			*
40C15 (F1CE0481F)	Diesel	RWD	2998	107	146	05.06-08.11			*

# LISTA DE APLICACIONES - BUYERS GUIDE

45C15 (F1CE0481F)		Diesel	RWD	2998	107	146	05.06-08.11	*	
50C15 (F1CE0481F)		Diesel	RWD	2998	107	146	05.06-08.11	*	
35C18, 35S18 (F1CE0481H)		Diesel	RWD	2998	130	176	05.06-08.11	*	
40C18 (F1CE0481H)		Diesel	RWD	2998	130	176	05.06-08.11	*	
45C18, 45C18 /P, 45C18 D, 45C18 D/P (F1CE0481H)		Diesel	RWD	2998	130	176	05.06-08.11	*	
50C18 (F1CE0481H)		Diesel	RWD	2998	130	176	05.06-08.11	*	
<b>DAILY IV 05.06-08.11</b>					<b>Volquete (Volquete-N2 Segment)</b>				
35C10 K (F1AE0481F)		Diesel	RWD	2287	70	95	05.06-08.11	*	
35C12 (F1AE0481G)		Diesel	RWD	2287	85	116	05.06-08.11	*	
35C15 (F1CE0481F)		Diesel	RWD	2998	107	146	05.06-08.11	*	
50C15 (F1CE0481F)		Diesel	RWD	2998	107	146	05.06-08.11	*	
35C18 (F1CE0481H)		Diesel	RWD	2998	130	176	05.06-08.11	*	
50C18 (F1CE0481H)		Diesel	RWD	2998	130	176	05.06-08.11	*	
<b>DAILY V 09.11-02.14</b>					<b>[CAMBIADO]:Furgón (LCVs-N1 Segment)</b>				
35S60E Electric		Eléctrico	RWD		60	82	09.11-02.14	*	
29S11, 29L11, 35C11, 35S11, 40C11 (F1AE3481A)		Diesel	RWD	2287	78	106	09.11-02.14	*	
29S13, 29L13, 35C13, 35S13, 40C13, 40S13 (F1AE3481B)		Diesel	RWD	2287	93	126	09.11-02.14	*	
29L15 V, 35S15 V, 35C15L V, 40C15L V, 50C15L V (F1AE3481C)		Diesel	RWD	2287	107	146	09.11-02.14	*	
35C15 V, 40C15 V, 45C15 V, 50C15 V, 60C15 V, 65C15 V (F1CE3481B)		Diesel	RWD	2998	107	146	09.11-02.14	*	
35C15 V, 40C15 V, 45C15 V, 50C15 V, 60C15 V, 65C15 V (F1CE3481J)		Diesel	RWD	2998	107	146	09.11-02.14	*	
35C17, 35S17, 40C17, 45C17, 50C17, 60C17, 65C17, 70C17 (F1CE3481C)		Diesel	RWD	2998	125	170	09.11-02.14	*	
35C17, 35S17, 40C17, 45C17, 50C17, 60C17, 65C17, 70C17 (F1CE3481K)		Diesel	RWD	2998	125	170	09.11-02.14	*	
35C21 V, 35S21 V, 40C21 V, 45C21 V, 50C21 V (F1CE3481D)		Diesel	RWD	2998	150	204	09.11-02.14	*	
NaturalPower 35S14, 35C14, 40C14, 50C14, 65C14, 70C14 (F1CE0441A)		CNG	RWD	2998	100	136	09.11-02.14	*	
<b>DAILY V 09.11-02.14</b>					<b>Caja/Chasis (LCVs-N1 Segment)</b>				
50C80E Electric		Eléctrico	RWD		80	109	09.11-02.14	*	
26L11, 29L11, 29S11, 35C11D, 35S11, 40C11 (F1AE3481A)		Diesel	RWD	2287	78	106	09.11-02.14	*	
29S13, 29L13, 29L13D, 35S13, 35C13D, 40C13 (F1AE3481B)		Diesel	RWD	2287	93	126	09.11-02.14	*	
29L15, 35S15, 35C15, 40C15, 50C15 (F1AE3481C)		Diesel	RWD	2287	107	146	09.11-02.14	*	
35C15, 35S15, 40C15, 45C15, 50C15, 60C15, 65C15, 70C15 (F1CE3481B)		Diesel	RWD	2998	107	146	09.11-02.14	*	
35C15, 35S15, 40C15, 45C15, 50C15, 60C15, 65C15, 70C15 (F1CE3481J)		Diesel	RWD	2998	107	146	09.11-02.14	*	
35C17, 35S17, 40C17, 45C17, 50C17, 60C17, 65C17, 70C17 (F1CE3481C)		Diesel	RWD	2998	125	170	09.11-02.14	*	
35C17, 35S17, 40C17, 45C17, 50C17, 60C17, 65C17, 70C17 (F1CE3481K)		Diesel	RWD	2998	125	170	09.11-02.14	*	
35C21, 35S21, 40C21, 45C21, 50C21, 60C21, 65C21, 70C21 (F1CE3481D)		Diesel	RWD	2998	150	205	09.11-02.14	*	
NaturalPower 35S14, 35C14, 40C14, 50C14, 65C14, 70C14 (F1CE0441A)		CNG	RWD	2998	100	136	09.11-02.14	*	
<b>DAILY VI 03.14-</b>					<b>[CAMBIADO]:Furgón (LCVs-N1 Segment)</b>				
33S11, 35S11, 35C11 (F1AFL411A)		Diesel	RWD	2287	78	106	03.14-07.21	*	
33S13, 35S13, 35C13 (F1AFL411B)		Diesel	RWD	2287	93	126	03.14-	*	
33S14, 35S14, 35C14, 42S14 (F1AGL411J)		Diesel	RWD	2287	100	136	04.16-	*	
33S15, 35S15, 35C15 (F1AFL411C)		Diesel	RWD	2287	107	146	03.14-	*	
35S15, 35C15, 40C15, 45C15, 50C15, 65C15, 70C15 (F1CE3481J)		Diesel	RWD	2998	107	146	03.14-	*	

## LISTA DE APLICACIONES - BUYERS GUIDE

35S15, 35C15, 40C15, 45C15, 50C15, 65C15, 70C15 (F1CFL411E)	Diesel	RWD	2998	107	146	03.14-	*
35S15, 35C15, 40C15, 45C15, 50C15, 65C15, 70C15 (F1CFL411J)	Diesel	RWD	2998	107	146	03.14-	*
35S15, 35C15, 40C15, 50C15, 60C15, 65C15, 70C15	Diesel	RWD	2998	110	150	04.16-	*
35S17, 35C17, 40C17, 50C17, 55C17, 60C17, 65C17, 70C17 (F1CFL411F)	Diesel	RWD	2998	125	170	03.14-	*
35S17, 35C17, 40C17, 50C17, 55C17, 60C17, 65C17, 70C17 (F1CFL411H)	Diesel	RWD	2998	125	170	03.14-	*
35S18, 35C18, 40C18, 50C18, 60C18, 65C18, 70C18	Diesel	RWD	2998	132	180	04.16-	*
55S18, 55C18, 70S18, 70C18	Diesel	4WD	2998	132	180	01.18-	*
35S21, 35C21, 40C21, 50C21, 60C21, 65C21, 70C21 (F1CFL411G)	Diesel	RWD	2998	150	204	03.14-	*
35S21, 35C21, 40C21, 50C21, 60C21, 65C21, 70C21 (F1CGL411C)	Diesel	RWD	2998	150	204	03.14-	*
35S21, 35C21, 40C21, 42S21, 50C21, 60C21, 65C21, 70C21	Diesel	RWD	2998	152	207	07.21-	*
35S21, 35C21, 40C21, 50C21, 60C21, 65C21, 70C21	Diesel	RWD	2998	155	211	04.19-	*
NaturalPower 35S14, 35C14, 40C14, 50C14, 65C14, 70C14 (F1CFA401A)	CNG	RWD	2998	100	136	03.14-	*
NaturalPower 35S14, 35C14, 40C14, 50C14, 65C14, 70C14 (F1CFA401B)	CNG	RWD	2998	100	136	03.14-	*
<b>DAILY VI (40C_, 65C_, 70C_, 35C_, 35S_, 50C_, 33S_) 03.14-</b>				<b>Caja/Chasis (LCVs-N1 Segment)</b>			
33S11, 35S11, 35C11 (F1AFL411A)	Diesel	RWD	2287	78	106	03.14-07.21	*
33S13, 35S13, 35C13 (F1AFL411B)	Diesel	RWD	2287	93	126	03.14-	*
33S15, 35S15, 35C15 (F1AFL411C)	Diesel	RWD	2287	107	146	03.14-	*
35S14, 35S15, 35C15, 40S14, 40C15, 50C15, 60C5, 65C15,... (F1CE3481J)	Diesel	RWD	2998	107	146	03.14-	*
35S14, 35S15, 35C15, 40S14, 40C15, 50C15, 60C5, 65C15,... (F1CFL411E)	Diesel	RWD	2998	107	146	03.14-	*
35S14, 35S15, 35C15, 40S14, 40C15, 50C15, 60C5, 65C15,... (F1CFL411J)	Diesel	RWD	2998	107	146	03.14-	*
35S15, 35C15, 40C15, 50C15, 60C15, 65C15, 70C15	Diesel	RWD	2998	110	150	04.16-	*
35S17, 35C17, 40C17, 45S17, 45C17, 50C17, 60C17, 65C17,... (F1CFL411F)	Diesel	RWD	2998	125	170	03.14-	*
35S17, 35C17, 40C17, 45S17, 45C17, 50C17, 60C17, 65C17,... (F1CFL411H)	Diesel	RWD	2998	125	170	03.14-	*
35S18, 35C18, 55C18, 55S18, 70C18, 70S18	Diesel	4WD	2998	129	175	06.22-	*
35S18, 35C18, 40C18, 45C18, 50C18, 60C18, 65C18, 70C18 (F1CFL411W)	Diesel	RWD	2998	132	180	04.16-	*
35S18, 35C18, 40C18, 45C18, 50C18, 60C18, 65C18, 70C18 (F1CGL411B)	Diesel	RWD	2998	132	180	04.16-	*
35S21, 35C21, 40C21, 45C21, 50C21, 60C21, 65C21, 70C21 (F1CFL411G)	Diesel	RWD	2998	150	204	03.14-	*
35S21, 35C21, 40C21, 45C21, 50C21, 60C21, 65C21, 70C21 (F1CGL411C)	Diesel	RWD	2998	150	204	03.14-	*
NaturalPower 35S14, 35C14, 40C14, 50C14, 65C14, 70C14 (F1CFA401A)	CNG	RWD	2998	100	136	03.14-	*
<b>DAILY VI CITYS 03.14-</b>				<b>Bus (Minibus-M2-Segment)</b>			
50C80E	Eléctrico	RWD		80	109	04.16-	*
40C15, 50C15, 60C15 (F1CE3481J)	Diesel	RWD	2998	107	146	03.14-	*
40C15, 50C15, 60C15 (F1CFL411E)	Diesel	RWD	2998	107	146	03.14-	*
40C17, 50C17, 60C17 (F1CFL411F)	Diesel	RWD	2998	125	170	03.14-	*
NaturalPower 40C14, 50C14, 60C14	CNG	RWD	2998	100	136	03.14-	*