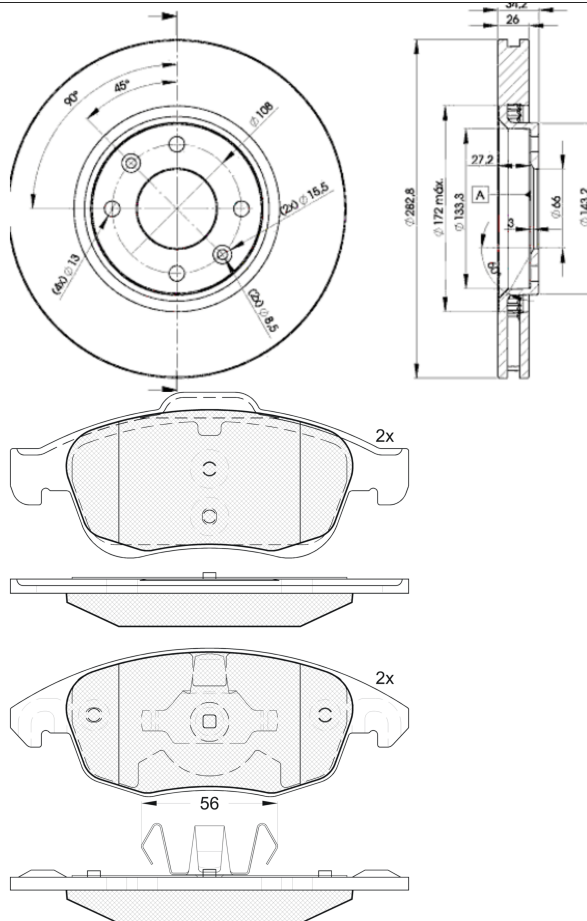


LISTA DE APLICACIONES - BUYERS GUIDE

3R18524752

Weight: 16.398



3R18524752



Ate - Teves

155.2x57.89x19.1

Ø283x26x34.5

WVA

24538

Sin Filas



Trac.	CC	Kw	CV
-------	----	----	----



Front / Rear

CITROËN

BERLINGO II (B9) 04.08-

Furgoneta/MPV (LCVs-N1 Segment)

1.6 HDi 75 (9HT (DV6BTED4))	Diesel	FWD	1560	55	75	04.08-12.18	*
1.6 HDi 75 (9HT (DV6BTED4))	Diesel	FWD	1560	55	75	04.08-12.18	*
1.6 HDi 75 (9HT (DV6BUTED4))	Diesel	FWD	1560	55	75	04.08-12.18	*
1.6 HDi 75 (9HT (DV6BUTED4))	Diesel	FWD	1560	55	75	04.08-12.18	*
1.6 HDi 75 4x4 (9HN (DV6ETED))	Diesel	4WD	1560	55	75	02.12-12.18	*
1.6 HDi 75 4x4 (9HN (DV6ETED))	Diesel	4WD	1560	55	75	02.12-12.18	*
1.6 HDi 90 16V (9HS (DV6TED4BU))	Diesel	FWD	1560	66	90	04.08-12.18	*
1.6 HDi 90 16V (9HS (DV6TED4BU))	Diesel	FWD	1560	66	90	04.08-12.18	*
1.6 HDi 90 16V (9HX (DV6AUTED4))	Diesel	FWD	1560	66	90	04.08-12.18	*
1.6 HDi 90 16V (9HX (DV6AUTED4))	Diesel	FWD	1560	66	90	04.08-12.18	*

BERLINGO II MULTISPACE (B9) 04.08-

MPV (Large MPV-M1 Segment)

1.6 (NFU (TU5JP4))	Gasolina	FWD	1587	80	109	04.08-12.18	*
1.6 (NFU (TU5JP4))	Gasolina	FWD	1587	80	109	04.08-12.18	*
1.6 HDi 75 16V (9HT (DV6BTED4))	Diesel	FWD	1560	55	75	04.08-12.18	*
1.6 HDi 75 16V (9HT (DV6BTED4))	Diesel	FWD	1560	55	75	04.08-12.18	*
1.6 HDi 90 (9HV (DV6TED4B))	Diesel	FWD	1560	66	90	04.08-12.18	*
1.6 HDi 90 (9HV (DV6TED4B))	Diesel	FWD	1560	66	90	04.08-12.18	*
1.6 HDi 90 (9HX (DV6ATED4))	Diesel	FWD	1560	66	90	04.08-12.18	*
1.6 HDi 90 (9HX (DV6ATED4))	Diesel	FWD	1560	66	90	04.08-12.18	*
1.6 HDi 110 (9HZ (DV6TED4))	Diesel	FWD	1560	80	109	04.08-12.18	*
1.6 HDi 110 (9HZ (DV6TED4))	Diesel	FWD	1560	80	109	04.08-12.18	*

LISTA DE APLICACIONES - BUYERS GUIDE

C4 Grand Picasso (UA_) 10.06-					MPV (Large MPV-M1 Segment)			
1.6 VTI 120 (5FW (EP6))		Gasolina	FWD	1598	88	120	07.08-08.13	*
1.6 VTI 120 (5FW (EP6))		Gasolina	FWD	1598	88	120	07.08-08.13	*
1.8 i 16V (6FY (EW7A))		Gasolina	FWD	1749	92	125	10.06-12.10	*
1.8 i 16V (6FY (EW7A))		Gasolina	FWD	1749	92	125	10.06-12.10	*
1.6 HDi (9HY (DV6TED4))		Diesel	FWD	1560	80	109	10.06-06.11	*
1.6 HDi (9HY (DV6TED4))		Diesel	FWD	1560	80	109	10.06-06.11	*
1.6 HDi (9HZ (DV6TED4))		Diesel	FWD	1560	80	109	10.06-06.11	*
1.6 HDi (9HZ (DV6TED4))		Diesel	FWD	1560	80	109	10.06-06.11	*
C4 Picasso (UD_) 10.06-12.15					MPV (Compact MPV-M1 Segment)			
1.8 i 16V (6FY (EW7A))		Gasolina	FWD	1749	92	125	02.07-12.11	*
1.8 i 16V (6FY (EW7A))		Gasolina	FWD	1749	92	125	02.07-12.11	*
1.8 Bifuel (6FY (EW7A))		Gasol./Etanol	FWD	1749	92	125	01.09-10.12	*
1.8 Bifuel (6FY (EW7A))		Gasol./Etanol	FWD	1749	92	125	01.09-10.12	*
1.6 HDi (9HY (DV6TED4))		Diesel	FWD	1560	80	109	02.07-08.13	*
1.6 HDi (9HY (DV6TED4))		Diesel	FWD	1560	80	109	02.07-08.13	*
1.6 HDi (9HZ (DV6TED4))		Diesel	FWD	1560	80	109	02.07-08.13	*
1.6 HDi (9HZ (DV6TED4))		Diesel	FWD	1560	80	109	02.07-08.13	*
1.6 HDi 110 (9HR (DV6C))		Diesel	FWD	1560	82	112	09.10-08.13	*
1.6 HDi 110 (9HR (DV6C))		Diesel	FWD	1560	82	112	09.10-08.13	*
PEUGEOT								
PARTNER II 01.09-					Caja/Chasis (LCVs-N1 Segment)			
1.6 HDi (9HT (DV6BTED4))		Diesel	FWD	1560	55	75	01.09-	*
1.6 HDi (9HT (DV6BTED4))		Diesel	FWD	1560	55	75	01.09-	*
1.6 HDi 16V (9HS (DV6TED4BU))		Diesel	FWD	1560	66	90	01.09-	*
1.6 HDi 16V (9HS (DV6TED4BU))		Diesel	FWD	1560	66	90	01.09-	*
1.6 HDi 16V (9HX (DV6ATED4))		Diesel	FWD	1560	66	90	01.09-	*
1.6 HDi 16V (9HX (DV6ATED4))		Diesel	FWD	1560	66	90	01.09-	*
PARTNER II / GRAND RAID / RANCH 04.08-					Furgoneta/MPV (LCVs-N1 Segment)			
1.6 (NFR (TU5JP4B))		Gasolina	FWD	1587	66	90	04.08-	*
1.6 (NFR (TU5JP4B))		Gasolina	FWD	1587	66	90	04.08-	*
1.6 (NFU (TU5JP4))		Gasolina	FWD	1587	80	109	04.08-	*
1.6 (NFU (TU5JP4))		Gasolina	FWD	1587	80	109	04.08-	*
1.6 HDi (9HT (DV6BTED4))		Diesel	FWD	1560	55	75	04.08-	*
1.6 HDi (9HT (DV6BTED4))		Diesel	FWD	1560	55	75	04.08-	*
1.6 HDi (9HT (DV6BUTED4))		Diesel	FWD	1560	55	75	04.08-	*
1.6 HDi (9HT (DV6BUTED4))		Diesel	FWD	1560	55	75	04.08-	*
1.6 HDi (9HW (DV6BTED4))		Diesel	FWD	1560	55	75	04.08-	*
1.6 HDi (9HW (DV6BTED4))		Diesel	FWD	1560	55	75	04.08-	*
1.6 HDi 16V (9HS (DV6TED4BU))		Diesel	FWD	1560	66	90	04.08-	*
1.6 HDi 16V (9HS (DV6TED4BU))		Diesel	FWD	1560	66	90	04.08-	*
1.6 HDi 16V (9HX (DV6AUTED4))		Diesel	FWD	1560	66	90	04.08-	*
1.6 HDi 16V (9HX (DV6AUTED4))		Diesel	FWD	1560	66	90	04.08-	*
1.6 HDi (9HZ (DV6TED4))		Diesel	FWD	1560	80	109	04.08-	*
1.6 HDi (9HZ (DV6TED4))		Diesel	FWD	1560	80	109	04.08-	*
PARTNER II Tepee / GRAND RAID / RANCH 04.08-					MPV (Compact MPV-M1 Segment)			
1.6 VTi (NFR (TU5JP4B))		Gasolina	FWD	1587	66	90	04.08-	*
1.6 VTi (NFR (TU5JP4B))		Gasolina	FWD	1587	66	90	04.08-	*
1.6 VTi (NFU (TU5JP4))		Gasolina	FWD	1587	80	109	04.08-	*

LISTA DE APLICACIONES - BUYERS GUIDE

1.6 VTi (NFU (TU5JP4))	Gasolina	FWD	1587	80	109	04.08-	*
1.6 HDi	Diesel	FWD	1560	55	75	04.08-	*
1.6 HDi	Diesel	FWD	1560	55	75	04.08-	*
1.6 HDi 16V (9HV (DV6TED4B))	Diesel	FWD	1560	66	90	04.08-	*
1.6 HDi 16V (9HV (DV6TED4B))	Diesel	FWD	1560	66	90	04.08-	*
1.6 HDi 16V (9HV (DV6TED4BU))	Diesel	FWD	1560	66	90	04.08-	*
1.6 HDi 16V (9HV (DV6TED4BU))	Diesel	FWD	1560	66	90	04.08-	*
1.6 HDi (9HZ (DV6TED4))	Diesel	FWD	1560	80	109	04.08-	*
1.6 HDi (9HZ (DV6TED4))	Diesel	FWD	1560	80	109	04.08-	*