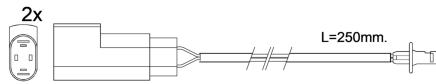
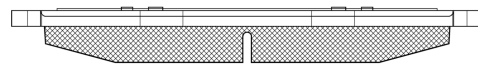
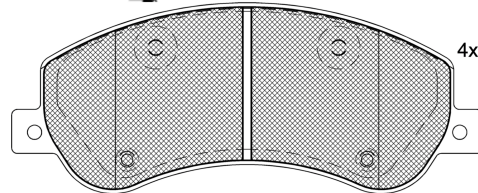
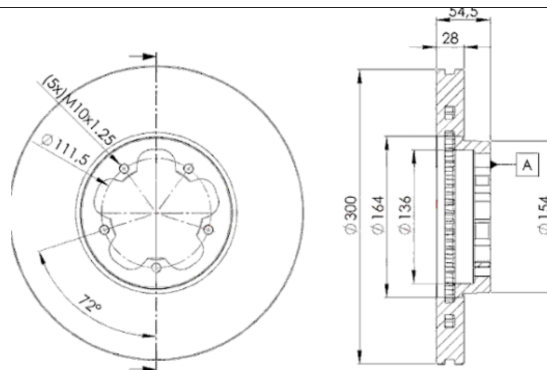


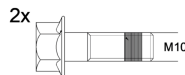
# LISTA DE APLICACIONES - BUYERS GUIDE

## 3R17935630

Weight: 21.400



1 - Ref. 610412 E



1 - Ref. 690174 E

## 3R17935630



Bosch

164.8x66.8x18.8  
Ø300x28x54.5

**WVA**  
22262  
24484

Sin Filas



Trac.	CC	Kw	CV
-------	----	----	----



### FORD

<b>TRANSIT V (FA_ ) 04.06-</b>									<b>[CAMBIADO]:Furgón (LCVs-N1 Segment)</b>
2.3 16V RWD (GZFA)		Gasolina	RWD	2261	107	145	04.06-08.14	*	
2.3 16V RWD (GZFA)		Gasolina	RWD	2261	107	145	04.06-08.14	*	
2.3 16V RWD (GZFB)		Gasolina	RWD	2261	107	145	04.06-08.14	*	
2.3 16V RWD (GZFB)		Gasolina	RWD	2261	107	145	04.06-08.14	*	
2.3 16V RWD (GZFC)		Gasolina	RWD	2261	107	145	04.06-08.14	*	
2.3 16V RWD (GZFC)		Gasolina	RWD	2261	107	145	04.06-08.14	*	
2.2 TDCi (DRFA)		Diesel	FWD	2198	74	100	10.11-08.14	*	
2.2 TDCi (DRFA)		Diesel	FWD	2198	74	100	10.11-08.14	*	
2.2 TDCi (DRFB)		Diesel	FWD	2198	74	100	10.11-08.14	*	
2.2 TDCi (DRFB)		Diesel	FWD	2198	74	100	10.11-08.14	*	
2.2 TDCi (DRFC)		Diesel	FWD	2198	74	100	10.11-08.14	*	
2.2 TDCi (DRFC)		Diesel	FWD	2198	74	100	10.11-08.14	*	
2.2 TDCi (DRFD)		Diesel	FWD	2198	74	100	10.11-08.14	*	
2.2 TDCi (DRFD)		Diesel	FWD	2198	74	100	10.11-08.14	*	
2.2 TDCi (DRFE)		Diesel	FWD	2198	74	100	10.11-08.14	*	
2.2 TDCi (DRFE)		Diesel	FWD	2198	74	100	10.11-08.14	*	
2.2 TDCi RWD (DRRA)		Diesel	RWD	2198	74	100	10.11-08.14	*	
2.2 TDCi RWD (DRRA)		Diesel	RWD	2198	74	100	10.11-08.14	*	
2.2 TDCi RWD (DRRB)		Diesel	RWD	2198	74	100	10.11-08.14	*	
2.2 TDCi RWD (DRRB)		Diesel	RWD	2198	74	100	10.11-08.14	*	
2.2 TDCi RWD (DRRC)		Diesel	RWD	2198	74	100	10.11-08.14	*	
2.2 TDCi RWD (DRRC)		Diesel	RWD	2198	74	100	10.11-08.14	*	
2.2 TDCi (QVFA)		Diesel	FWD	2198	81	110	04.06-08.14	*	

## LISTA DE APLICACIONES - BUYERS GUIDE

2.2 TDCi (QVFA)		Diesel	FWD	2198	81	110	04.06-08.14	*
2.2 TDCi (SRFA)		Diesel	FWD	2198	85	115	10.08-08.14	*
2.2 TDCi (SRFA)		Diesel	FWD	2198	85	115	10.08-08.14	*
2.2 TDCi (SRFB)		Diesel	FWD	2198	85	115	10.08-08.14	*
2.2 TDCi (SRFB)		Diesel	FWD	2198	85	115	10.08-08.14	*
2.2 TDCi (SRFC)		Diesel	FWD	2198	85	115	10.08-08.14	*
2.2 TDCi (SRFC)		Diesel	FWD	2198	85	115	10.08-08.14	*
2.2 TDCi (SRFD)		Diesel	FWD	2198	85	115	10.08-08.14	*
2.2 TDCi (SRFD)		Diesel	FWD	2198	85	115	10.08-08.14	*
2.2 TDCi (SRFE)		Diesel	FWD	2198	85	115	10.08-08.14	*
2.2 TDCi (SRFE)		Diesel	FWD	2198	85	115	10.08-08.14	*
2.2 TDCi (CYFA)		Diesel	FWD	2198	92	125	10.11-08.14	*
2.2 TDCi (CYFA)		Diesel	FWD	2198	92	125	10.11-08.14	*
2.2 TDCi (CYFB)		Diesel	FWD	2198	92	125	10.11-08.14	*
2.2 TDCi (CYFB)		Diesel	FWD	2198	92	125	10.11-08.14	*
2.2 TDCi (CYFC)		Diesel	FWD	2198	92	125	10.11-08.14	*
2.2 TDCi (CYFC)		Diesel	FWD	2198	92	125	10.11-08.14	*
2.2 TDCi (CYFD)		Diesel	FWD	2198	92	125	10.11-08.14	*
2.2 TDCi (CYFD)		Diesel	FWD	2198	92	125	10.11-08.14	*
2.2 TDCi 4x4 (CYRB)		Diesel	4WD	2198	92	125	10.11-08.14	*
2.2 TDCi 4x4 (CYRB)		Diesel	4WD	2198	92	125	10.11-08.14	*
2.2 TDCi 4x4 (CYRC)		Diesel	4WD	2198	92	125	10.11-08.14	*
2.2 TDCi 4x4 (CYRC)		Diesel	4WD	2198	92	125	10.11-08.14	*
2.2 TDCi RWD (CYRA)		Diesel	RWD	2198	92	125	09.11-12.14	*
2.2 TDCi RWD (CYRA)		Diesel	RWD	2198	92	125	09.11-12.14	*
2.2 TDCi (QWFA)		Diesel	FWD	2198	96	130	04.06-08.14	*
2.2 TDCi (QWFA)		Diesel	FWD	2198	96	130	04.06-08.14	*
2.2 TDCi (PGFA)		Diesel	FWD	2198	103	140	10.07-08.14	*
2.2 TDCi (PGFA)		Diesel	FWD	2198	103	140	10.07-08.14	*
2.2 TDCi (PGFB)		Diesel	FWD	2198	103	140	10.07-08.14	*
2.2 TDCi (PGFB)		Diesel	FWD	2198	103	140	10.07-08.14	*
2.2 TDCi (UHFA)		Diesel	FWD	2198	103	140	10.07-08.14	*
2.2 TDCi (UHFA)		Diesel	FWD	2198	103	140	10.07-08.14	*
2.2 TDCi (UHFB)		Diesel	FWD	2198	103	140	10.07-08.14	*
2.2 TDCi (UHFB)		Diesel	FWD	2198	103	140	10.07-08.14	*
2.2 TDCi (UHFC)		Diesel	FWD	2198	103	140	10.07-08.14	*
2.2 TDCi (UHFC)		Diesel	FWD	2198	103	140	10.07-08.14	*
2.2 TDCi RWD (CVRA)		Diesel	RWD	2198	114	155	10.11-08.14	*
2.2 TDCi RWD (CVRA)		Diesel	RWD	2198	114	155	10.11-08.14	*
2.2 TDCi RWD (CVRB)		Diesel	RWD	2198	114	155	10.11-08.14	*
2.2 TDCi RWD (CVRB)		Diesel	RWD	2198	114	155	10.11-08.14	*
2.2 TDCi RWD (CVRC)		Diesel	RWD	2198	114	155	10.11-08.14	*
2.2 TDCi RWD (CVRC)		Diesel	RWD	2198	114	155	10.11-08.14	*
2.4 TDCi RWD (PHFA)		Diesel	RWD	2402	74	100	04.06-08.14	*
2.4 TDCi RWD (PHFA)		Diesel	RWD	2402	74	100	04.06-08.14	*
2.4 TDCi RWD (PHFC)		Diesel	RWD	2402	74	100	04.06-08.14	*
2.4 TDCi RWD (PHFC)		Diesel	RWD	2402	74	100	04.06-08.14	*
2.4 TDCi RWD (JXFA)		Diesel	RWD	2402	85	115	04.06-08.14	*
2.4 TDCi RWD (JXFA)		Diesel	RWD	2402	85	115	04.06-08.14	*
2.4 TDCi RWD (JXFC)		Diesel	RWD	2402	85	115	04.06-08.14	*
2.4 TDCi RWD (JXFC)		Diesel	RWD	2402	85	115	04.06-08.14	*

# LISTA DE APLICACIONES - BUYERS GUIDE

2.4 TDCi 4x4 (H9FB)	Diesel	4WD	2402	103	140	11.06-08.14	*	
2.4 TDCi 4x4 (H9FB)	Diesel	4WD	2402	103	140	11.06-08.14	*	
2.4 TDCi RWD (H9FB)	Diesel	RWD	2402	103	140	04.06-08.14	*	
2.4 TDCi RWD (H9FB)	Diesel	RWD	2402	103	140	04.06-08.14	*	
2.4 TDCi RWD (H9FD)	Diesel	RWD	2402	103	140	04.06-08.14	*	
2.4 TDCi RWD (H9FD)	Diesel	RWD	2402	103	140	04.06-08.14	*	
3.2 TDCi RWD (SAFA)	Diesel	RWD	3199	147	200	09.07-08.14	*	
3.2 TDCi RWD (SAFA)	Diesel	RWD	3199	147	200	09.07-08.14	*	
3.2 TDCi RWD (SAFB)	Diesel	RWD	3199	147	200	09.07-08.14	*	
3.2 TDCi RWD (SAFB)	Diesel	RWD	3199	147	200	09.07-08.14	*	
<b>TRANSIT V (FD_, FB_, FS_, FZ_, FC_) 04.06-</b>					<b>Bus (Minibus-M2-Segment)</b>			
2.2 TDCi RWD (DRRA)	Diesel	RWD	2198	74	100	10.11-08.14	*	
2.2 TDCi RWD (DRRA)	Diesel	RWD	2198	74	100	10.11-08.14	*	
2.2 TDCi RWD (DRRB)	Diesel	RWD	2198	74	100	10.11-08.14	*	
2.2 TDCi RWD (DRRB)	Diesel	RWD	2198	74	100	10.11-08.14	*	
2.2 TDCi RWD (DRRC)	Diesel	RWD	2198	74	100	10.11-08.14	*	
2.2 TDCi RWD (DRRC)	Diesel	RWD	2198	74	100	10.11-08.14	*	
2.2 TDCi (QVFA)	Diesel	FWD	2198	81	110	04.06-08.14	*	
2.2 TDCi (QVFA)	Diesel	FWD	2198	81	110	04.06-08.14	*	
2.2 TDCi (SRFA)	Diesel	FWD	2198	85	115	10.08-08.14	*	
2.2 TDCi (SRFA)	Diesel	FWD	2198	85	115	10.08-08.14	*	
2.2 TDCi (SRFB)	Diesel	FWD	2198	85	115	10.08-08.14	*	
2.2 TDCi (SRFB)	Diesel	FWD	2198	85	115	10.08-08.14	*	
2.2 TDCi (SRFC)	Diesel	FWD	2198	85	115	10.08-08.14	*	
2.2 TDCi (SRFC)	Diesel	FWD	2198	85	115	10.08-08.14	*	
2.2 TDCi (SRFD)	Diesel	FWD	2198	85	115	10.08-08.14	*	
2.2 TDCi (SRFD)	Diesel	FWD	2198	85	115	10.08-08.14	*	
2.2 TDCi (SRFE)	Diesel	FWD	2198	85	115	10.08-08.14	*	
2.2 TDCi (SRFE)	Diesel	FWD	2198	85	115	10.08-08.14	*	
2.2 TDCi RWD (CYRA)	Diesel	RWD	2198	92	125	09.11-12.14	*	
2.2 TDCi RWD (CYRA)	Diesel	RWD	2198	92	125	09.11-12.14	*	
2.2 TDCi (QWFA)	Diesel	FWD	2198	96	130	04.06-08.14	*	
2.2 TDCi (QWFA)	Diesel	FWD	2198	96	130	04.06-08.14	*	
2.2 TDCi (PGFA)	Diesel	FWD	2198	103	140	10.07-08.14	*	
2.2 TDCi (PGFA)	Diesel	FWD	2198	103	140	10.07-08.14	*	
2.2 TDCi (PGFB)	Diesel	FWD	2198	103	140	10.07-08.14	*	
2.2 TDCi (PGFB)	Diesel	FWD	2198	103	140	10.07-08.14	*	
2.2 TDCi (UHFA)	Diesel	FWD	2198	103	140	10.07-08.14	*	
2.2 TDCi (UHFA)	Diesel	FWD	2198	103	140	10.07-08.14	*	
2.2 TDCi (UHFB)	Diesel	FWD	2198	103	140	10.07-08.14	*	
2.2 TDCi (UHFB)	Diesel	FWD	2198	103	140	10.07-08.14	*	
2.2 TDCi (UHFC)	Diesel	FWD	2198	103	140	10.07-08.14	*	
2.2 TDCi (UHFC)	Diesel	FWD	2198	103	140	10.07-08.14	*	
2.4 TDCi (PHFA)	Diesel	RWD	2402	74	100	04.06-08.14	*	
2.4 TDCi (PHFA)	Diesel	RWD	2402	74	100	04.06-08.14	*	
2.4 TDCi (PHFC)	Diesel	RWD	2402	74	100	04.06-08.14	*	
2.4 TDCi (PHFC)	Diesel	RWD	2402	74	100	04.06-08.14	*	
2.4 TDCi (JXFA)	Diesel	RWD	2402	85	115	04.06-08.14	*	
2.4 TDCi (JXFA)	Diesel	RWD	2402	85	115	04.06-08.14	*	
2.4 TDCi (JXFC)	Diesel	RWD	2402	85	115	04.06-08.14	*	
2.4 TDCi (JXFC)	Diesel	RWD	2402	85	115	04.06-08.14	*	

# LISTA DE APLICACIONES - BUYERS GUIDE

2.4 TDCi (H9FD)		Diesel	RWD	2402	103	140	04.06-08.14	*	
2.4 TDCi (H9FD)		Diesel	RWD	2402	103	140	04.06-08.14	*	
2.4 TDCi 4x4 (H9FB)		Diesel	4WD	2402	103	140	11.06-08.14	*	
2.4 TDCi 4x4 (H9FB)		Diesel	4WD	2402	103	140	11.06-08.14	*	
3.2 TDCi (SAFA)		Diesel	RWD	3199	147	200	02.08-08.14	*	
3.2 TDCi (SAFA)		Diesel	RWD	3199	147	200	02.08-08.14	*	
3.2 TDCi (SAFB)		Diesel	RWD	3199	147	200	02.08-08.14	*	
3.2 TDCi (SAFB)		Diesel	RWD	3199	147	200	02.08-08.14	*	
<b>TRANSIT V (FM_ , FN_ , FF_ ) 04.06-12.14</b>							<b>Caja/Chasis (LCVs-N1 Segment)</b>		
2.3 16V RWD (GZFA)		Gasolina	RWD	2261	107	145	04.06-08.14	*	
2.3 16V RWD (GZFA)		Gasolina	RWD	2261	107	145	04.06-08.14	*	
2.3 16V RWD (GZFB)		Gasolina	RWD	2261	107	145	04.06-08.14	*	
2.3 16V RWD (GZFB)		Gasolina	RWD	2261	107	145	04.06-08.14	*	
2.3 16V RWD (GZFC)		Gasolina	RWD	2261	107	145	04.06-08.14	*	
2.3 16V RWD (GZFC)		Gasolina	RWD	2261	107	145	04.06-08.14	*	
2.2 TDCi (DRFA)		Diesel	FWD	2198	74	100	10.11-08.14	*	
2.2 TDCi (DRFA)		Diesel	FWD	2198	74	100	10.11-08.14	*	
2.2 TDCi (DRFB)		Diesel	FWD	2198	74	100	10.11-08.14	*	
2.2 TDCi (DRFB)		Diesel	FWD	2198	74	100	10.11-08.14	*	
2.2 TDCi (DRFC)		Diesel	FWD	2198	74	100	10.11-08.14	*	
2.2 TDCi (DRFC)		Diesel	FWD	2198	74	100	10.11-08.14	*	
2.2 TDCi (DRFD)		Diesel	FWD	2198	74	100	10.11-08.14	*	
2.2 TDCi (DRFD)		Diesel	FWD	2198	74	100	10.11-08.14	*	
2.2 TDCi (DRFE)		Diesel	FWD	2198	74	100	10.11-08.14	*	
2.2 TDCi (DRFE)		Diesel	FWD	2198	74	100	10.11-08.14	*	
2.2 TDCi RWD (DRRA)		Diesel	RWD	2198	74	100	10.11-08.14	*	
2.2 TDCi RWD (DRRA)		Diesel	RWD	2198	74	100	10.11-08.14	*	
2.2 TDCi RWD (DRRB)		Diesel	RWD	2198	74	100	10.11-08.14	*	
2.2 TDCi RWD (DRRB)		Diesel	RWD	2198	74	100	10.11-08.14	*	
2.2 TDCi RWD (DRRC)		Diesel	RWD	2198	74	100	10.11-08.14	*	
2.2 TDCi RWD (DRRC)		Diesel	RWD	2198	74	100	10.11-08.14	*	
2.2 TDCi (QVFA)		Diesel	FWD	2198	81	110	04.06-08.14	*	
2.2 TDCi (QVFA)		Diesel	FWD	2198	81	110	04.06-08.14	*	
2.2 TDCi (SRFA)		Diesel	FWD	2198	85	115	10.08-08.14	*	
2.2 TDCi (SRFA)		Diesel	FWD	2198	85	115	10.08-08.14	*	
2.2 TDCi (SRFB)		Diesel	FWD	2198	85	115	10.08-08.14	*	
2.2 TDCi (SRFB)		Diesel	FWD	2198	85	115	10.08-08.14	*	
2.2 TDCi (SRFC)		Diesel	FWD	2198	85	115	10.08-08.14	*	
2.2 TDCi (SRFC)		Diesel	FWD	2198	85	115	10.08-08.14	*	
2.2 TDCi (SRFD)		Diesel	FWD	2198	85	115	10.08-08.14	*	
2.2 TDCi (SRFD)		Diesel	FWD	2198	85	115	10.08-08.14	*	
2.2 TDCi (SRFE)		Diesel	FWD	2198	85	115	10.08-08.14	*	
2.2 TDCi (SRFE)		Diesel	FWD	2198	85	115	10.08-08.14	*	
2.2 TDCi (CYFA)		Diesel	FWD	2198	92	125	10.11-08.14	*	
2.2 TDCi (CYFA)		Diesel	FWD	2198	92	125	10.11-08.14	*	
2.2 TDCi (CYFB)		Diesel	FWD	2198	92	125	10.11-08.14	*	
2.2 TDCi (CYFB)		Diesel	FWD	2198	92	125	10.11-08.14	*	
2.2 TDCi (CYFC)		Diesel	FWD	2198	92	125	10.11-08.14	*	
2.2 TDCi (CYFC)		Diesel	FWD	2198	92	125	10.11-08.14	*	
2.2 TDCi (CYFD)		Diesel	FWD	2198	92	125	10.11-08.14	*	
2.2 TDCi (CYFD)		Diesel	FWD	2198	92	125	10.11-08.14	*	

## LISTA DE APLICACIONES - BUYERS GUIDE

2.2 TDCi 4x4 (CYRB)	Diesel	4WD	2198	92	125	10.11-08.14	*
2.2 TDCi 4x4 (CYRB)	Diesel	4WD	2198	92	125	10.11-08.14	*
2.2 TDCi 4x4 (CYRC)	Diesel	4WD	2198	92	125	10.11-08.14	*
2.2 TDCi 4x4 (CYRC)	Diesel	4WD	2198	92	125	10.11-08.14	*
2.2 TDCi RWD (CYRA)	Diesel	RWD	2198	92	125	10.11-08.14	*
2.2 TDCi RWD (CYRA)	Diesel	RWD	2198	92	125	10.11-08.14	*
2.2 TDCi (QWFA)	Diesel	FWD	2198	96	130	04.06-08.14	*
2.2 TDCi (QWFA)	Diesel	FWD	2198	96	130	04.06-08.14	*
2.2 TDCi (PGFA)	Diesel	FWD	2198	103	140	10.07-08.14	*
2.2 TDCi (PGFA)	Diesel	FWD	2198	103	140	10.07-08.14	*
2.2 TDCi (PGFB)	Diesel	FWD	2198	103	140	10.07-08.14	*
2.2 TDCi (PGFB)	Diesel	FWD	2198	103	140	10.07-08.14	*
2.2 TDCi (UHFA)	Diesel	FWD	2198	103	140	10.07-08.14	*
2.2 TDCi (UHFA)	Diesel	FWD	2198	103	140	10.07-08.14	*
2.2 TDCi (UHFB)	Diesel	FWD	2198	103	140	10.07-08.14	*
2.2 TDCi (UHFB)	Diesel	FWD	2198	103	140	10.07-08.14	*
2.2 TDCi (UHFC)	Diesel	FWD	2198	103	140	10.07-08.14	*
2.2 TDCi (UHFC)	Diesel	FWD	2198	103	140	10.07-08.14	*
2.2 TDCi RWD (CVRA)	Diesel	RWD	2198	114	155	10.11-08.14	*
2.2 TDCi RWD (CVRA)	Diesel	RWD	2198	114	155	10.11-08.14	*
2.2 TDCi RWD (CVRB)	Diesel	RWD	2198	114	155	10.11-08.14	*
2.2 TDCi RWD (CVRB)	Diesel	RWD	2198	114	155	10.11-08.14	*
2.2 TDCi RWD (CVRC)	Diesel	RWD	2198	114	155	10.11-08.14	*
2.2 TDCi RWD (CVRC)	Diesel	RWD	2198	114	155	10.11-08.14	*
2.4 TDCi RWD (PHFA)	Diesel	RWD	2402	74	100	04.06-08.14	*
2.4 TDCi RWD (PHFA)	Diesel	RWD	2402	74	100	04.06-08.14	*
2.4 TDCi RWD (PHFC)	Diesel	RWD	2402	74	100	04.06-08.14	*
2.4 TDCi RWD (PHFC)	Diesel	RWD	2402	74	100	04.06-08.14	*
2.4 TDCi RWD (JXFA)	Diesel	RWD	2402	85	115	04.06-08.14	*
2.4 TDCi RWD (JXFA)	Diesel	RWD	2402	85	115	04.06-08.14	*
2.4 TDCi RWD (JXFC)	Diesel	RWD	2402	85	115	04.06-08.14	*
2.4 TDCi RWD (JXFC)	Diesel	RWD	2402	85	115	04.06-08.14	*
2.4 TDCi 4x4 (H9FB)	Diesel	4WD	2402	103	140	11.06-08.14	*
2.4 TDCi 4x4 (H9FB)	Diesel	4WD	2402	103	140	11.06-08.14	*
2.4 TDCi RWD (H9FD)	Diesel	RWD	2402	103	140	04.06-08.14	*
2.4 TDCi RWD (H9FD)	Diesel	RWD	2402	103	140	04.06-08.14	*
3.2 TDCi RWD (SAFA)	Diesel	RWD	3199	147	200	09.07-08.14	*
3.2 TDCi RWD (SAFA)	Diesel	RWD	3199	147	200	09.07-08.14	*
3.2 TDCi RWD (SAFB)	Diesel	RWD	3199	147	200	09.07-08.14	*
3.2 TDCi RWD (SAFB)	Diesel	RWD	3199	147	200	09.07-08.14	*