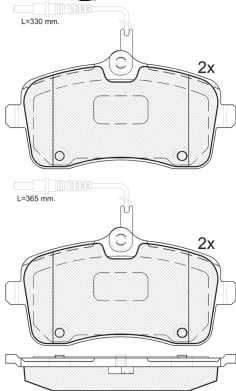
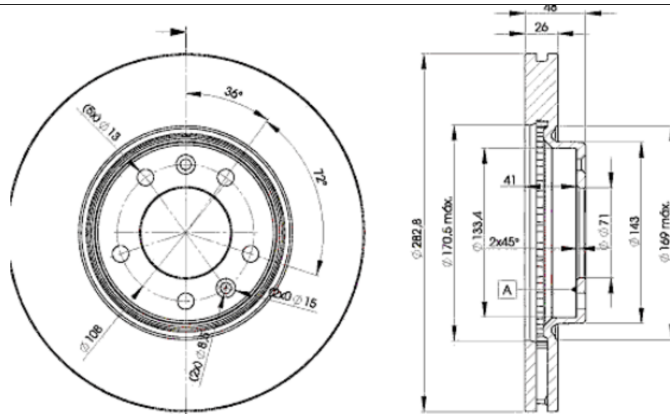


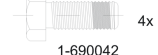
# LISTA DE APLICACIONES - BUYERS GUIDE

## 3R16564685

Weight: 16.608



**181656-700**



## 3R16564685



Trw

131.4x67.5x19.5  
Ø284x26x48

**WVA**

24134

Sin Filas



Trac.	CC	Kw	CV
-------	----	----	----



Front / Rear

### PEUGEOT

<b>407 (6C_) 10.05-</b>					<b>Coupé (Large family car-D Segment)</b>			
2.0 HDi (RHR (DW10BTED4))		Diesel	FWD	1997	100	136	10.05-	*
2.0 HDi (RHR (DW10BTED4))		Diesel	FWD	1997	100	136	10.05-	*
<b>407 (6D_) 02.04-12.13</b>					<b>Sedán (Large family car-D Segment)</b>			
1.8 (6D6FZB) (6FZ (EW7J4))		Gasolina	FWD	1749	85	116	03.04-07.05	*
1.8 (6D6FZB) (6FZ (EW7J4))		Gasolina	FWD	1749	85	116	03.04-07.05	*
1.8 16V (6D6FYC) (6FY (EW7A))		Gasolina	FWD	1749	92	125	08.05-12.10	*
1.8 16V (6D6FYC) (6FY (EW7A))		Gasolina	FWD	1749	92	125	08.05-12.10	*
2.0 (6DRFNB, 6DRFNE) (RFN (EW10J4))		Gasolina	FWD	1997	100	136	03.04-07.05	*
2.0 (6DRFNB, 6DRFNE) (RFN (EW10J4))		Gasolina	FWD	1997	100	136	03.04-07.05	*
2.0 16V (6DRFJC, 6DRFJE, 6DRFJF) (RFJ (EW10A))		Gasolina	FWD	1997	103	140	09.05-12.10	*
2.0 16V (6DRFJC, 6DRFJE, 6DRFJF) (RFJ (EW10A))		Gasolina	FWD	1997	103	140	09.05-12.10	*
1.6 HDi 110 (6D9HZC, 6D9HYC) (9HZ (DV6TED4))		Diesel	FWD	1560	80	109	05.04-12.10	*
1.6 HDi 110 (6D9HZC, 6D9HYC) (9HZ (DV6TED4))		Diesel	FWD	1560	80	109	05.04-12.10	*
2.0 HDi 135 (6DRHRH, 6DRHRE, 6DRHRG, 6DRHRJ) (RHR (DW10BTED4))		Diesel	FWD	1997	100	136	05.04-10.10	*
2.0 HDi 135 (6DRHRH, 6DRHRE, 6DRHRG, 6DRHRJ) (RHR (DW10BTED4))		Diesel	FWD	1997	100	136	05.04-10.10	*
2.0 HDi (6DRHRH) (RHR (DW10BTED4))		Diesel	FWD	1997	103	140	06.09-12.10	*
2.0 HDi (6DRHRH) (RHR (DW10BTED4))		Diesel	FWD	1997	103	140	06.09-12.10	*
<b>407 SW (6E_, 6D_) 05.04-</b>					<b>[CAMBIADO]:Break (Large family car-D Segment)</b>			
1.8 (6FZ (EW7J4))		Gasolina	FWD	1749	85	116	05.04-07.05	*
1.8 (6FZ (EW7J4))		Gasolina	FWD	1749	85	116	05.04-07.05	*

## LISTA DE APLICACIONES - BUYERS GUIDE

1.8 16V (6FY (EW7A))		Gasolina	FWD	1749	92	125	08.05-12.10	*
1.8 16V (6FY (EW7A))		Gasolina	FWD	1749	92	125	08.05-12.10	*
2.0 (RFN (EW10J4))		Gasolina	FWD	1997	100	136	05.04-07.05	*
2.0 (RFN (EW10J4))		Gasolina	FWD	1997	100	136	05.04-07.05	*
2.0 16V (RFJ (EW10A))		Gasolina	FWD	1997	103	140	08.05-12.10	*
2.0 16V (RFJ (EW10A))		Gasolina	FWD	1997	103	140	08.05-12.10	*
2.0 Bioflex (RFJ (EW10A))		Gasol./Etanol	FWD	1997	103	140	01.08-12.10	*
2.0 Bioflex (RFJ (EW10A))		Gasol./Etanol	FWD	1997	103	140	01.08-12.10	*
1.6 HDi 110 (9HZ (DV6TED4))		Diesel	FWD	1560	80	109	05.04-12.10	*
1.6 HDi 110 (9HZ (DV6TED4))		Diesel	FWD	1560	80	109	05.04-12.10	*
2.0 HDi 135 (RHR (DW10BTED4))		Diesel	FWD	1997	100	136	07.04-12.10	*
2.0 HDi 135 (RHR (DW10BTED4))		Diesel	FWD	1997	100	136	07.04-12.10	*
2.0 HDi (RHR (DW10BTED4))		Diesel	FWD	1997	103	140	08.08-12.10	*
2.0 HDi (RHR (DW10BTED4))		Diesel	FWD	1997	103	140	08.08-12.10	*