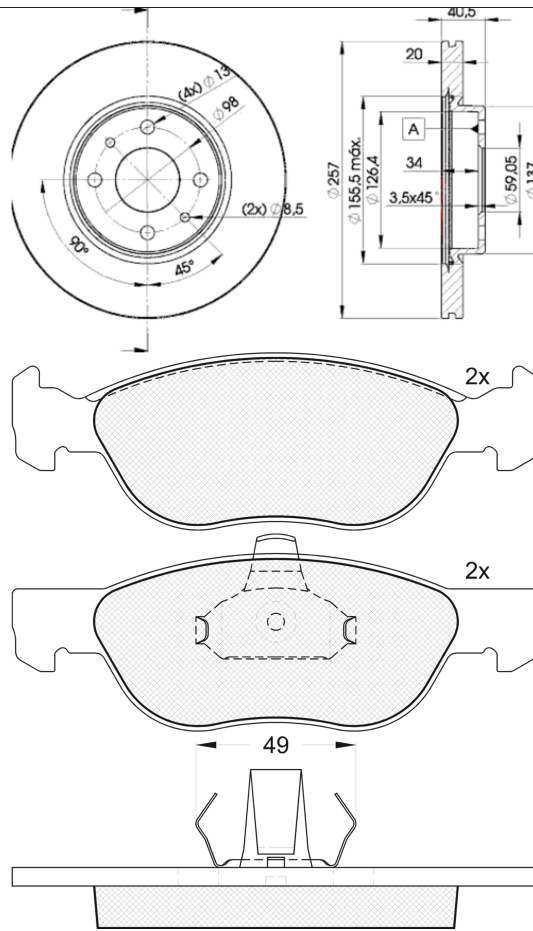


LISTA DE APLICACIONES - BUYERS GUIDE

3R16025056

Weight: 12.016



3R16025056



Ate - Teves

156.4x52.6x17.9
Ø257x20x40.5

WVA
21927
21928

Sin Filas



Trac.	CC	Kw	CV
-------	----	----	----



Front / Rear

FIAT

PUNTO II (188_) 09.99-07.12							[CAMBIADO]:Fastback (Supermini car-B Segment)	
1.4 (843 A1.000)		Gasolina	FWD	1368	70	95	09.03-03.12	*
1.4 (843 A1.000)		Gasolina	FWD	1368	70	95	09.03-03.12	*
1.3 JTD 16V (188 A9.000)		Diesel	FWD	1248	51	70	06.03-03.12	*
1.3 JTD 16V (188 A9.000)		Diesel	FWD	1248	51	70	06.03-03.12	*
1.9 JTD 80 (188.237, .257, .337, .357) (188 A2.000)		Diesel	FWD	1910	59	80	09.99-03.12	*
1.9 JTD 80 (188.237, .257, .337, .357) (188 A2.000)		Diesel	FWD	1910	59	80	09.99-03.12	*
1.9 JTD (188 A7.000)		Diesel	FWD	1910	63	86	10.01-03.12	*
1.9 JTD (188 A7.000)		Diesel	FWD	1910	63	86	10.01-03.12	*
PUNTO II-III (188_) 02.00-12.10							Furgón/hatchback (LCVs-N1 Segment)	
1.3 JTD (188 A9.000)		Diesel	FWD	1248	51	69	06.03-10.05	*
1.3 JTD (188 A9.000)		Diesel	FWD	1248	51	69	06.03-10.05	*
1.9 JTD (188 A7.000)		Diesel	FWD	1910	63	86	02.00-10.09	*
1.9 JTD (188 A7.000)		Diesel	FWD	1910	63	86	02.00-10.09	*