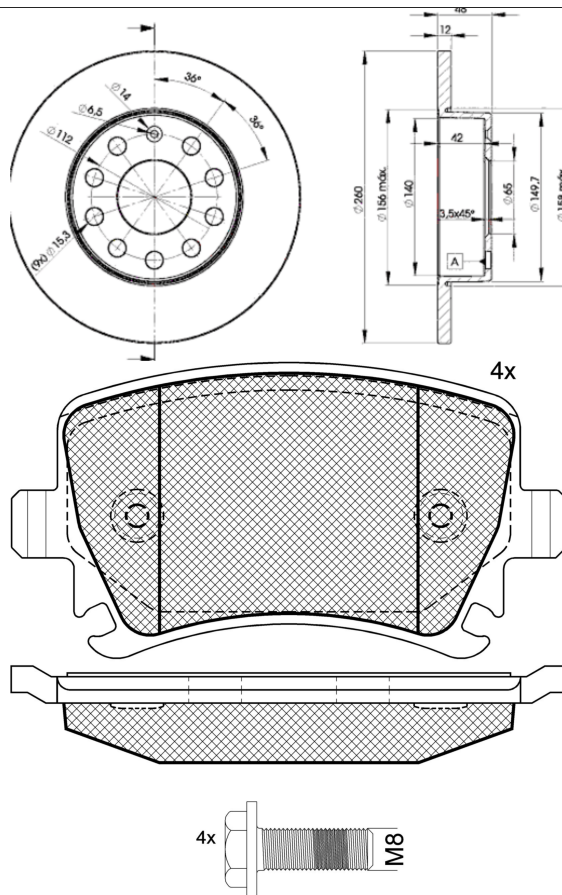


LISTA DE APLICACIONES - BUYERS GUIDE

3R16005310

Weight: 10.634



1-Ref. 690064

3R16005310



Trw

105.3x56.1x17

Ø260x12x48.5

WVA

23914

Sin Filas



Trac.	CC	Kw	CV						
									Front / Rear

AUDI

A3 II (8P1) 05.03-12.13									[CAMBIADO]:Fastback (Compact executive car-D Segment)
2.0 TDI quattro (BMM)		Diesel	4WD	1968	103	140	01.06-06.08		*
2.0 TDI quattro (BMM)		Diesel	4WD	1968	103	140	01.06-06.08		*
A3 II Sportback (8PA) 09.04-12.15									[CAMBIADO]:Fastback (Compact executive car-D Segment)
2.0 TDI 16V quattro (BKD)		Diesel	4WD	1968	103	140	11.05-03.13		*
2.0 TDI 16V quattro (BKD)		Diesel	4WD	1968	103	140	11.05-03.13		*
2.0 TDI 16V quattro (CBAB)		Diesel	4WD	1968	103	140	11.05-03.13		*
2.0 TDI 16V quattro (CBAB)		Diesel	4WD	1968	103	140	11.05-03.13		*
2.0 TDI 16V quattro (CFFB)		Diesel	4WD	1968	103	140	11.05-03.13		*
2.0 TDI 16V quattro (CFFB)		Diesel	4WD	1968	103	140	11.05-03.13		*
2.0 TDI quattro (BMM)		Diesel	4WD	1968	103	140	01.06-06.08		*
2.0 TDI quattro (BMM)		Diesel	4WD	1968	103	140	01.06-06.08		*

SKODA

OCTAVIA II / LAURA (1Z3) 02.04-06.13									[CAMBIADO]:Fastback (Compact car-C Segment)
1.4 (BUD)		Gasolina	FWD	1390	59	80	06.04-04.13		*
1.4 (BUD)		Gasolina	FWD	1390	59	80	06.04-04.13		*
1.4 (CGGA)		Gasolina	FWD	1390	59	80	06.04-04.13		*
1.4 (CGGA)		Gasolina	FWD	1390	59	80	06.04-04.13		*
1.8 T		Gasolina	FWD	1781	110	150	09.05-12.08		*
1.8 T		Gasolina	FWD	1781	110	150	09.05-12.08		*
1.8 TSI (CDAB)		Gasolina	FWD	1798	112	152	03.09-06.13		*
1.8 TSI (CDAB)		Gasolina	FWD	1798	112	152	03.09-06.13		*
1.8 TSI (BZB)		Gasolina	FWD	1798	118	160	06.07-04.13		*

LISTA DE APLICACIONES - BUYERS GUIDE

1.8 TSI (BZB)		Gasolina	FWD	1798	118	160	06.07-04.13	*
1.8 TSI (CDAA)		Gasolina	FWD	1798	118	160	06.07-04.13	*
1.8 TSI (CDAA)		Gasolina	FWD	1798	118	160	06.07-04.13	*
2.0 TDI (AZV)		Diesel	FWD	1968	100	136	02.04-05.10	*
2.0 TDI (AZV)		Diesel	FWD	1968	100	136	02.04-05.10	*
OCTAVIA II Combi (1Z5) 02.04-06.13				[CAMBIADO]:Break (Compact car-C Segment)				
1.4 (BCA)		Gasolina	FWD	1390	55	75	05.04-05.06	*
1.4 (BCA)		Gasolina	FWD	1390	55	75	05.04-05.06	*
1.4 (BUD)		Gasolina	FWD	1390	59	80	05.06-06.13	*
1.4 (BUD)		Gasolina	FWD	1390	59	80	05.06-06.13	*
1.4 (CGGA)		Gasolina	FWD	1390	59	80	05.06-06.13	*
1.4 (CGGA)		Gasolina	FWD	1390	59	80	05.06-06.13	*
1.6 (BGU)		Gasolina	FWD	1595	75	102	09.04-06.13	*
1.6 (BGU)		Gasolina	FWD	1595	75	102	09.04-06.13	*
1.6 (BSE)		Gasolina	FWD	1595	75	102	09.04-06.13	*
1.6 (BSE)		Gasolina	FWD	1595	75	102	09.04-06.13	*
1.6 (BSF)		Gasolina	FWD	1595	75	102	09.04-06.13	*
1.6 (BSF)		Gasolina	FWD	1595	75	102	09.04-06.13	*
1.6 (CCSA)		Gasolina	FWD	1595	75	102	09.04-06.13	*
1.6 (CCSA)		Gasolina	FWD	1595	75	102	09.04-06.13	*
1.6 (CMXA)		Gasolina	FWD	1595	75	102	09.04-06.13	*
1.6 (CMXA)		Gasolina	FWD	1595	75	102	09.04-06.13	*
1.8 TSI (CDAB)		Gasolina	FWD	1798	112	152	03.09-06.13	*
1.8 TSI (CDAB)		Gasolina	FWD	1798	112	152	03.09-06.13	*
1.8 TSI 4x4 (CDAB)		Gasolina	4WD	1798	112	152	03.09-02.13	*
1.8 TSI 4x4 (CDAB)		Gasolina	4WD	1798	112	152	03.09-02.13	*
1.8 TSI (BZB)		Gasolina	FWD	1798	118	160	06.07-04.13	*
1.8 TSI (BZB)		Gasolina	FWD	1798	118	160	06.07-04.13	*
1.8 TSI (CDAA)		Gasolina	FWD	1798	118	160	06.07-04.13	*
1.8 TSI (CDAA)		Gasolina	FWD	1798	118	160	06.07-04.13	*
2.0 FSI 4x4 (BLX)		Gasolina	4WD	1984	110	150	11.04-04.09	*
2.0 FSI 4x4 (BLX)		Gasolina	4WD	1984	110	150	11.04-04.09	*
2.0 FSI 4x4 (BLY)		Gasolina	4WD	1984	110	150	11.04-04.09	*
2.0 FSI 4x4 (BLY)		Gasolina	4WD	1984	110	150	11.04-04.09	*
2.0 FSI 4x4 (BVX)		Gasolina	4WD	1984	110	150	11.04-04.09	*
2.0 FSI 4x4 (BVX)		Gasolina	4WD	1984	110	150	11.04-04.09	*
1.9 TDI 4x4 (BKC)		Diesel	4WD	1896	77	105	11.04-12.10	*
1.9 TDI 4x4 (BKC)		Diesel	4WD	1896	77	105	11.04-12.10	*
1.9 TDI 4x4 (BLS)		Diesel	4WD	1896	77	105	11.04-12.10	*
1.9 TDI 4x4 (BLS)		Diesel	4WD	1896	77	105	11.04-12.10	*
1.9 TDI 4x4 (BXE)		Diesel	4WD	1896	77	105	11.04-12.10	*
1.9 TDI 4x4 (BXE)		Diesel	4WD	1896	77	105	11.04-12.10	*
2.0 TDI 16V (AZV)		Diesel	FWD	1968	100	136	02.04-05.10	*
2.0 TDI 16V (AZV)		Diesel	FWD	1968	100	136	02.04-05.10	*
2.0 TDI (BMM)		Diesel	FWD	1968	103	140	11.05-05.10	*
2.0 TDI (BMM)		Diesel	FWD	1968	103	140	11.05-05.10	*
2.0 TDI 4x4 (BMM)		Diesel	4WD	1968	103	140	07.06-05.10	*
2.0 TDI 4x4 (BMM)		Diesel	4WD	1968	103	140	07.06-05.10	*
SUPERB II (3T4) 03.08-05.15				[CAMBIADO]:Fastback (Executive car-E Segment)				
1.4 TSI (CAXC)		Gasolina	FWD	1390	92	125	07.08-05.15	*

LISTA DE APLICACIONES - BUYERS GUIDE

1.4 TSI (CAXC)		Gasolina	FWD	1390	92	125	07.08-05.15	*	
1.8 TSI (BZB)		Gasolina	FWD	1798	118	160	03.08-05.15	*	
1.8 TSI (BZB)		Gasolina	FWD	1798	118	160	03.08-05.15	*	
1.8 TSI (CDAA)		Gasolina	FWD	1798	118	160	03.08-05.15	*	
1.8 TSI (CDAA)		Gasolina	FWD	1798	118	160	03.08-05.15	*	
1.8 TSI 4x4 (CDAA)		Gasolina	4WD	1798	118	160	11.08-05.15	*	
1.8 TSI 4x4 (CDAA)		Gasolina	4WD	1798	118	160	11.08-05.15	*	
1.9 TDI (BLS)		Diesel	FWD	1896	77	105	03.08-11.10	*	
1.9 TDI (BLS)		Diesel	FWD	1896	77	105	03.08-11.10	*	
1.9 TDI (BXE)		Diesel	FWD	1896	77	105	03.08-11.10	*	
1.9 TDI (BXE)		Diesel	FWD	1896	77	105	03.08-11.10	*	
2.0 TDI (BMP)		Diesel	FWD	1968	103	140	03.08-05.10	*	
2.0 TDI (BMP)		Diesel	FWD	1968	103	140	03.08-05.10	*	
2.0 TDI 16V (BKD)		Diesel	FWD	1968	103	140	01.09-05.15	*	
2.0 TDI 16V (BKD)		Diesel	FWD	1968	103	140	01.09-05.15	*	
2.0 TDI 16V (CFFB)		Diesel	FWD	1968	103	140	01.09-05.15	*	
2.0 TDI 16V (CFFB)		Diesel	FWD	1968	103	140	01.09-05.15	*	
2.0 TDI 16V (CLJA)		Diesel	FWD	1968	103	140	01.09-05.15	*	
2.0 TDI 16V (CLJA)		Diesel	FWD	1968	103	140	01.09-05.15	*	
2.0 TDI (CBBB)		Diesel	FWD	1968	125	170	07.08-05.15	*	
2.0 TDI (CBBB)		Diesel	FWD	1968	125	170	07.08-05.15	*	
2.0 TDI (CFGB)		Diesel	FWD	1968	125	170	07.08-05.15	*	
2.0 TDI (CFGB)		Diesel	FWD	1968	125	170	07.08-05.15	*	
2.0 TDI 4x4 (CBBB)		Diesel	4WD	1968	125	170	09.08-05.15	*	
2.0 TDI 4x4 (CBBB)		Diesel	4WD	1968	125	170	09.08-05.15	*	
2.0 TDI 4x4 (CFGB)		Diesel	4WD	1968	125	170	09.08-05.15	*	
2.0 TDI 4x4 (CFGB)		Diesel	4WD	1968	125	170	09.08-05.15	*	
SKODA (SVW)									
OCTAVIA (913) 06.07-						[CAMBIADO]:Fastback (Compact car-C Segment)			
1.8 TSI		Gasolina	FWD	1798	118	160	06.07-03.14	*	
1.8 TSI		Gasolina	FWD	1798	118	160	06.07-03.14	*	
VW									
CADDY III (2KA, 2KH, 2CA, 2CH) 03.04-03.16						Furgoneta/MPV (LCVs-N1 Segment)			
1.4 (BCA)		Gasolina	FWD	1390	55	75	03.04-05.06	*	
1.4 (BCA)		Gasolina	FWD	1390	55	75	03.04-05.06	*	
1.4 (BUD)		Gasolina	FWD	1390	59	80	05.06-08.10	*	
1.4 (BUD)		Gasolina	FWD	1390	59	80	05.06-08.10	*	
1.6 (BGU)		Gasolina	FWD	1595	75	102	04.04-05.15	*	
1.6 (BGU)		Gasolina	FWD	1595	75	102	04.04-05.15	*	
1.6 (BSE)		Gasolina	FWD	1595	75	102	04.04-05.15	*	
1.6 (BSE)		Gasolina	FWD	1595	75	102	04.04-05.15	*	
1.6 (BSF)		Gasolina	FWD	1595	75	102	04.04-05.15	*	
1.6 (BSF)		Gasolina	FWD	1595	75	102	04.04-05.15	*	
1.9 TDI (BSU)		Diesel	FWD	1896	55	75	09.05-08.10	*	
1.9 TDI (BSU)		Diesel	FWD	1896	55	75	09.05-08.10	*	
1.9 TDI (BJB)		Diesel	FWD	1896	77	105	04.04-08.10	*	
1.9 TDI (BJB)		Diesel	FWD	1896	77	105	04.04-08.10	*	
1.9 TDI (BLS)		Diesel	FWD	1896	77	105	04.04-08.10	*	
1.9 TDI (BLS)		Diesel	FWD	1896	77	105	04.04-08.10	*	
2.0 SDI (BDJ)		Diesel	FWD	1968	51	70	03.04-08.10	*	

LISTA DE APLICACIONES - BUYERS GUIDE

2.0 SDI (BDJ)		Diesel	FWD	1968	51	70	03.04-08.10	*	
2.0 SDI (BST)		Diesel	FWD	1968	51	70	03.04-08.10	*	
2.0 SDI (BST)		Diesel	FWD	1968	51	70	03.04-08.10	*	
2.0 TDI (BMM)		Diesel	FWD	1968	103	140	09.07-08.10	*	
2.0 TDI (BMM)		Diesel	FWD	1968	103	140	09.07-08.10	*	
2.0 EcoFuel (BSX)		CNG	FWD	1984	80	109	04.06-05.15	*	
2.0 EcoFuel (BSX)		CNG	FWD	1984	80	109	04.06-05.15	*	
CADDY III (2KB, 2KJ, 2CB, 2CJ) 03.04-03.16							MPV (Mini MPV-M1 Segment)		
1.4 (BCA)		Gasolina	FWD	1390	55	75	03.04-05.06	*	
1.4 (BCA)		Gasolina	FWD	1390	55	75	03.04-05.06	*	
1.4 (BUD)		Gasolina	FWD	1390	59	80	05.06-08.10	*	
1.4 (BUD)		Gasolina	FWD	1390	59	80	05.06-08.10	*	
1.6		Gasolina	FWD	1595	65	88	01.05-12.09	*	
1.6		Gasolina	FWD	1595	65	88	01.05-12.09	*	
1.6		Gasolina	FWD	1595	74	101	03.05-05.15	*	
1.6		Gasolina	FWD	1595	74	101	03.05-05.15	*	
1.6 (BGU)		Gasolina	FWD	1595	75	102	04.04-05.15	*	
1.6 (BGU)		Gasolina	FWD	1595	75	102	04.04-05.15	*	
1.6 (BSE)		Gasolina	FWD	1595	75	102	04.04-05.15	*	
1.6 (BSE)		Gasolina	FWD	1595	75	102	04.04-05.15	*	
1.6 (BSF)		Gasolina	FWD	1595	75	102	04.04-05.15	*	
1.6 (BSF)		Gasolina	FWD	1595	75	102	04.04-05.15	*	
1.9 D		Diesel	FWD	1896	48	65	10.05-06.09	*	
1.9 D		Diesel	FWD	1896	48	65	10.05-06.09	*	
1.9 TDI (BSU)		Diesel	FWD	1896	55	75	09.05-08.10	*	
1.9 TDI (BSU)		Diesel	FWD	1896	55	75	09.05-08.10	*	
1.9 TDI (BJB)		Diesel	FWD	1896	77	105	04.04-08.10	*	
1.9 TDI (BJB)		Diesel	FWD	1896	77	105	04.04-08.10	*	
1.9 TDI (BLS)		Diesel	FWD	1896	77	105	04.04-08.10	*	
1.9 TDI (BLS)		Diesel	FWD	1896	77	105	04.04-08.10	*	
1.9 TDI 4motion (BLS)		Diesel	4WD	1896	77	105	05.08-08.10	*	
1.9 TDI 4motion (BLS)		Diesel	4WD	1896	77	105	05.08-08.10	*	
2.0 SDI (BDJ)		Diesel	FWD	1968	51	70	03.04-08.10	*	
2.0 SDI (BDJ)		Diesel	FWD	1968	51	70	03.04-08.10	*	
2.0 SDI (BST)		Diesel	FWD	1968	51	70	03.04-08.10	*	
2.0 SDI (BST)		Diesel	FWD	1968	51	70	03.04-08.10	*	
2.0 TDI (BMM)		Diesel	FWD	1968	103	140	09.07-08.10	*	
2.0 TDI (BMM)		Diesel	FWD	1968	103	140	09.07-08.10	*	
2.0 EcoFuel (BSX)		CNG	FWD	1984	80	109	04.06-05.15	*	
2.0 EcoFuel (BSX)		CNG	FWD	1984	80	109	04.06-05.15	*	
GOLF V / RABBIT V (1K1) 10.03-07.10							[CAMBIADO]:Fastback (Compact car-C Segment)		
2.0 GTI (BYD)		Gasolina	FWD	1984	169	230	09.06-12.08	*	
2.0 GTI (BYD)		Gasolina	FWD	1984	169	230	09.06-12.08	*	
GOLF V Variant / BORA V / JETTA V / VENTO V (1K5) 01.07-07.09							[CAMBIADO]:Break (Compact car-C Segment)		
1.4 (BUD)		Gasolina	FWD	1390	59	80	06.07-07.09	*	
1.4 (BUD)		Gasolina	FWD	1390	59	80	06.07-07.09	*	
1.4 TSI (CAXA)		Gasolina	FWD	1390	90	122	06.07-07.09	*	
1.4 TSI (CAXA)		Gasolina	FWD	1390	90	122	06.07-07.09	*	
1.4 TSI (BMY)		Gasolina	FWD	1390	103	140	06.07-07.09	*	
1.4 TSI (BMY)		Gasolina	FWD	1390	103	140	06.07-07.09	*	

LISTA DE APLICACIONES - BUYERS GUIDE

1.6 (BSE)		Gasolina	FWD	1595	75	102	06.07-07.09	*
1.6 (BSE)		Gasolina	FWD	1595	75	102	06.07-07.09	*
1.6 (BSF)		Gasolina	FWD	1595	75	102	06.07-07.09	*
1.6 (BSF)		Gasolina	FWD	1595	75	102	06.07-07.09	*
1.6 (CCSA)		Gasolina	FWD	1595	75	102	06.07-07.09	*
1.6 (CCSA)		Gasolina	FWD	1595	75	102	06.07-07.09	*
2.0 TFSI (BWA)		Gasolina	FWD	1984	147	200	06.07-07.09	*
2.0 TFSI (BWA)		Gasolina	FWD	1984	147	200	06.07-07.09	*
2.0 TFSI (CAWB)		Gasolina	FWD	1984	147	200	06.07-07.09	*
2.0 TFSI (CAWB)		Gasolina	FWD	1984	147	200	06.07-07.09	*
2.0 TFSI (CBFA)		Gasolina	FWD	1984	147	200	06.07-07.09	*
2.0 TFSI (CBFA)		Gasolina	FWD	1984	147	200	06.07-07.09	*
2.0 TFSI (CCTA)		Gasolina	FWD	1984	147	200	06.07-07.09	*
2.0 TFSI (CCTA)		Gasolina	FWD	1984	147	200	06.07-07.09	*
1.9 TDI (BLS)		Diesel	FWD	1896	77	105	06.07-07.09	*
1.9 TDI (BLS)		Diesel	FWD	1896	77	105	06.07-07.09	*
1.9 TDI (BXE)		Diesel	FWD	1896	77	105	06.07-07.09	*
1.9 TDI (BXE)		Diesel	FWD	1896	77	105	06.07-07.09	*
1.9 TDI 4motion (BLS)		Diesel	4WD	1896	77	105	01.08-07.09	*
1.9 TDI 4motion (BLS)		Diesel	4WD	1896	77	105	01.08-07.09	*
2.0 TDI (AZV)		Diesel	FWD	1968	100	136	06.07-07.09	*
2.0 TDI (AZV)		Diesel	FWD	1968	100	136	06.07-07.09	*
2.0 TDI		Diesel	RWD	1968	100	136	06.07-07.09	*
2.0 TDI		Diesel	RWD	1968	100	136	06.07-07.09	*
2.0 TDI (BMM)		Diesel	FWD	1968	103	140	06.07-07.09	*
2.0 TDI (BMM)		Diesel	FWD	1968	103	140	06.07-07.09	*
2.0 TDI 16V (BKD)		Diesel	FWD	1968	103	140	06.07-07.09	*
2.0 TDI 16V (BKD)		Diesel	FWD	1968	103	140	06.07-07.09	*
2.0 TDI 16V (CBDB)		Diesel	FWD	1968	103	140	06.07-07.09	*
2.0 TDI 16V (CBDB)		Diesel	FWD	1968	103	140	06.07-07.09	*
GOLF VI / JETTA VI (5K1) 10.08-12.14							[CAMBIADO]:Fastback (Compact car-C Segment)	
2.0 TDI (CBAA)		Diesel	FWD	1968	100	136	10.08-11.12	*
2.0 TDI (CBAA)		Diesel	FWD	1968	100	136	10.08-11.12	*
2.0 TDI (CFFA)		Diesel	FWD	1968	100	136	10.08-11.12	*
2.0 TDI (CFFA)		Diesel	FWD	1968	100	136	10.08-11.12	*
2.0 TDI 4motion (CBAB)		Diesel	4WD	1968	103	140	05.09-11.12	*
2.0 TDI 4motion (CBAB)		Diesel	4WD	1968	103	140	05.09-11.12	*
2.0 TDI 4motion (CFFB)		Diesel	4WD	1968	103	140	05.09-11.12	*
2.0 TDI 4motion (CFFB)		Diesel	4WD	1968	103	140	05.09-11.12	*
JETTA V / BORA / VENTO (1K2) 09.04-12.13							Sedán (Compact car-C Segment)	
1.4 TSI (CAXA)		Gasolina	FWD	1390	90	122	05.07-10.10	*
1.4 TSI (CAXA)		Gasolina	FWD	1390	90	122	05.07-10.10	*
1.4 TSI (BMY)		Gasolina	FWD	1390	103	140	07.06-10.10	*
1.4 TSI (BMY)		Gasolina	FWD	1390	103	140	07.06-10.10	*
1.4 TSI (CAVD)		Gasolina	FWD	1390	118	160	07.08-10.10	*
1.4 TSI (CAVD)		Gasolina	FWD	1390	118	160	07.08-10.10	*
1.6 (BGU)		Gasolina	FWD	1595	75	102	09.04-10.10	*
1.6 (BGU)		Gasolina	FWD	1595	75	102	09.04-10.10	*
1.6 (BSE)		Gasolina	FWD	1595	75	102	09.04-10.10	*
1.6 (BSE)		Gasolina	FWD	1595	75	102	09.04-10.10	*

LISTA DE APLICACIONES - BUYERS GUIDE

1.6 (BSF)		Gasolina	FWD	1595	75	102	09.04-10.10	*
1.6 (BSF)		Gasolina	FWD	1595	75	102	09.04-10.10	*
1.6 (CCSA)		Gasolina	FWD	1595	75	102	09.04-10.10	*
1.6 (CCSA)		Gasolina	FWD	1595	75	102	09.04-10.10	*
1.6 FSI (BLF)		Gasolina	FWD	1598	85	115	09.05-10.10	*
1.6 FSI (BLF)		Gasolina	FWD	1598	85	115	09.05-10.10	*
2.0 FSI (BLR)		Gasolina	FWD	1984	110	150	08.05-10.10	*
2.0 FSI (BLR)		Gasolina	FWD	1984	110	150	08.05-10.10	*
2.0 FSI (BLX)		Gasolina	FWD	1984	110	150	08.05-10.10	*
2.0 FSI (BLX)		Gasolina	FWD	1984	110	150	08.05-10.10	*
2.0 FSI (BLY)		Gasolina	FWD	1984	110	150	08.05-10.10	*
2.0 FSI (BLY)		Gasolina	FWD	1984	110	150	08.05-10.10	*
2.0 FSI (BVY)		Gasolina	FWD	1984	110	150	08.05-10.10	*
2.0 FSI (BVY)		Gasolina	FWD	1984	110	150	08.05-10.10	*
2.0 FSI (BVZ)		Gasolina	FWD	1984	110	150	08.05-10.10	*
2.0 FSI (BVZ)		Gasolina	FWD	1984	110	150	08.05-10.10	*
2.0 TFSI (AXX)		Gasolina	FWD	1984	147	200	10.05-10.10	*
2.0 TFSI (AXX)		Gasolina	FWD	1984	147	200	10.05-10.10	*
2.0 TFSI (BPY)		Gasolina	FWD	1984	147	200	10.05-10.10	*
2.0 TFSI (BPY)		Gasolina	FWD	1984	147	200	10.05-10.10	*
2.0 TFSI (BWA)		Gasolina	FWD	1984	147	200	10.05-10.10	*
2.0 TFSI (BWA)		Gasolina	FWD	1984	147	200	10.05-10.10	*
2.0 TFSI (CAWB)		Gasolina	FWD	1984	147	200	10.05-10.10	*
2.0 TFSI (CAWB)		Gasolina	FWD	1984	147	200	10.05-10.10	*
2.0 TFSI (CBFA)		Gasolina	FWD	1984	147	200	10.05-10.10	*
2.0 TFSI (CBFA)		Gasolina	FWD	1984	147	200	10.05-10.10	*
2.0 TFSI (CCTA)		Gasolina	FWD	1984	147	200	10.05-10.10	*
2.0 TFSI (CCTA)		Gasolina	FWD	1984	147	200	10.05-10.10	*
2.5 (CBTA)		Gasolina	FWD	2480	125	170	07.08-10.10	*
2.5 (CBTA)		Gasolina	FWD	2480	125	170	07.08-10.10	*
2.5 (CBUA)		Gasolina	FWD	2480	125	170	07.08-10.10	*
2.5 (CBUA)		Gasolina	FWD	2480	125	170	07.08-10.10	*
2.5 (CCCA)		Gasolina	FWD	2480	125	170	07.08-10.10	*
2.5 (CCCA)		Gasolina	FWD	2480	125	170	07.08-10.10	*
1.9 TDI (BKC)		Diesel	FWD	1896	77	105	08.05-10.10	*
1.9 TDI (BKC)		Diesel	FWD	1896	77	105	08.05-10.10	*
1.9 TDI (BLS)		Diesel	FWD	1896	77	105	08.05-10.10	*
1.9 TDI (BLS)		Diesel	FWD	1896	77	105	08.05-10.10	*
1.9 TDI (BXE)		Diesel	FWD	1896	77	105	08.05-10.10	*
1.9 TDI (BXE)		Diesel	FWD	1896	77	105	08.05-10.10	*
2.0 TDI (AZV)		Diesel	FWD	1968	100	136	09.05-10.10	*
2.0 TDI (AZV)		Diesel	FWD	1968	100	136	09.05-10.10	*
2.0 TDI (CBDA)		Diesel	FWD	1968	100	136	09.05-10.10	*
2.0 TDI (CBDA)		Diesel	FWD	1968	100	136	09.05-10.10	*
2.0 TDI (BMM)		Diesel	FWD	1968	103	140	10.05-10.10	*
2.0 TDI (BMM)		Diesel	FWD	1968	103	140	10.05-10.10	*
2.0 TDI 16V (BKD)		Diesel	FWD	1968	103	140	08.05-10.10	*
2.0 TDI 16V (BKD)		Diesel	FWD	1968	103	140	08.05-10.10	*
2.0 TDI 16V (CBDB)		Diesel	FWD	1968	103	140	08.05-10.10	*
2.0 TDI 16V (CBDB)		Diesel	FWD	1968	103	140	08.05-10.10	*
2.0 TDI 16V (CBEA)		Diesel	FWD	1968	103	140	08.05-10.10	*

LISTA DE APLICACIONES - BUYERS GUIDE

2.0 TDI 16V (CBEA)		Diesel	FWD	1968	103	140	08.05-10.10	*	
2.0 TDI 16V (CJAA)		Diesel	FWD	1968	103	140	08.05-10.10	*	
2.0 TDI 16V (CJAA)		Diesel	FWD	1968	103	140	08.05-10.10	*	
SCIROCCO III (137, 138) 05.08-							Coupé (Sport compact car-C Segment)		
1.4 TSI (CAVD)		Gasolina	FWD	1390	118	160	05.08-11.17	*	
1.4 TSI (CAVD)		Gasolina	FWD	1390	118	160	05.08-11.17	*	
1.4 TSI (CNWA)		Gasolina	FWD	1390	118	160	05.08-11.17	*	
1.4 TSI (CNWA)		Gasolina	FWD	1390	118	160	05.08-11.17	*	
1.4 TSI (CTHD)		Gasolina	FWD	1390	118	160	05.08-11.17	*	
1.4 TSI (CTHD)		Gasolina	FWD	1390	118	160	05.08-11.17	*	
1.4 TSI (CTKA)		Gasolina	FWD	1390	118	160	05.08-11.17	*	
1.4 TSI (CTKA)		Gasolina	FWD	1390	118	160	05.08-11.17	*	
2.0 TFSI (CAWB)		Gasolina	FWD	1984	147	200	05.08-11.09	*	
2.0 TFSI (CAWB)		Gasolina	FWD	1984	147	200	05.08-11.09	*	
2.0 TDI (CBDB)		Diesel	FWD	1968	103	140	08.08-11.17	*	
2.0 TDI (CBDB)		Diesel	FWD	1968	103	140	08.08-11.17	*	
2.0 TDI (CFHC)		Diesel	FWD	1968	103	140	08.08-11.17	*	
2.0 TDI (CFHC)		Diesel	FWD	1968	103	140	08.08-11.17	*	
SCIROCCO III (137) 06.08-05.14							Furgón/hatchback (Sport compact car-C Segment)		
1.4 TSI (CAVD)		Gasolina	FWD	1390	118	160	06.08-05.14	*	
1.4 TSI (CAVD)		Gasolina	FWD	1390	118	160	06.08-05.14	*	
2.0 TDI (CBDB)		Diesel	FWD	1968	103	140	08.08-05.14	*	
2.0 TDI (CBDB)		Diesel	FWD	1968	103	140	08.08-05.14	*	
2.0 TDI (CFHC)		Diesel	FWD	1968	103	140	08.08-05.14	*	
2.0 TDI (CFHC)		Diesel	FWD	1968	103	140	08.08-05.14	*	
TOURAN (1T1, 1T2) 02.03-01.11							MPV (Compact MPV-M1 Segment)		
1.4 TSI (BMY)		Gasolina	FWD	1390	103	140	02.06-05.10	*	
1.4 TSI (BMY)		Gasolina	FWD	1390	103	140	02.06-05.10	*	
1.4 TSI (CAVC)		Gasolina	FWD	1390	103	140	02.06-05.10	*	
1.4 TSI (CAVC)		Gasolina	FWD	1390	103	140	02.06-05.10	*	
1.4 TSI (BLG)		Gasolina	FWD	1390	125	170	11.06-05.10	*	
1.4 TSI (BLG)		Gasolina	FWD	1390	125	170	11.06-05.10	*	
1.4 TSI (CAVB)		Gasolina	FWD	1390	125	170	11.06-05.10	*	
1.4 TSI (CAVB)		Gasolina	FWD	1390	125	170	11.06-05.10	*	
1.6 (BGU)		Gasolina	FWD	1595	75	102	07.03-05.10	*	
1.6 (BGU)		Gasolina	FWD	1595	75	102	07.03-05.10	*	
1.6 (BSE)		Gasolina	FWD	1595	75	102	07.03-05.10	*	
1.6 (BSE)		Gasolina	FWD	1595	75	102	07.03-05.10	*	
1.6 (BSF)		Gasolina	FWD	1595	75	102	07.03-05.10	*	
1.6 (BSF)		Gasolina	FWD	1595	75	102	07.03-05.10	*	
1.6 FSI (BAG)		Gasolina	FWD	1598	85	115	02.03-01.07	*	
1.6 FSI (BAG)		Gasolina	FWD	1598	85	115	02.03-01.07	*	
1.6 FSI (BLF)		Gasolina	FWD	1598	85	115	02.03-01.07	*	
1.6 FSI (BLF)		Gasolina	FWD	1598	85	115	02.03-01.07	*	
1.6 FSI (BLP)		Gasolina	FWD	1598	85	115	02.03-01.07	*	
1.6 FSI (BLP)		Gasolina	FWD	1598	85	115	02.03-01.07	*	
2.0 FSI		Gasolina	FWD	1984	85	115	10.04-05.10	*	
2.0 FSI		Gasolina	FWD	1984	85	115	10.04-05.10	*	
2.0 FSI (AXW)		Gasolina	FWD	1984	110	150	10.03-01.07	*	
2.0 FSI (AXW)		Gasolina	FWD	1984	110	150	10.03-01.07	*	

LISTA DE APLICACIONES - BUYERS GUIDE

2.0 FSI (BLR)		Gasolina	FWD	1984	110	150	10.03-01.07	*
2.0 FSI (BLR)		Gasolina	FWD	1984	110	150	10.03-01.07	*
2.0 FSI (BLX)		Gasolina	FWD	1984	110	150	10.03-01.07	*
2.0 FSI (BLX)		Gasolina	FWD	1984	110	150	10.03-01.07	*
2.0 FSI (BLY)		Gasolina	FWD	1984	110	150	10.03-01.07	*
2.0 FSI (BLY)		Gasolina	FWD	1984	110	150	10.03-01.07	*
2.0 FSI (BVY)		Gasolina	FWD	1984	110	150	10.03-01.07	*
2.0 FSI (BVY)		Gasolina	FWD	1984	110	150	10.03-01.07	*
2.0 FSI (BVZ)		Gasolina	FWD	1984	110	150	10.03-01.07	*
2.0 FSI (BVZ)		Gasolina	FWD	1984	110	150	10.03-01.07	*
1.9 TDI (BRU)		Diesel	FWD	1896	66	90	11.04-05.10	*
1.9 TDI (BRU)		Diesel	FWD	1896	66	90	11.04-05.10	*
1.9 TDI (BXF)		Diesel	FWD	1896	66	90	11.04-05.10	*
1.9 TDI (BXF)		Diesel	FWD	1896	66	90	11.04-05.10	*
1.9 TDI (BXJ)		Diesel	FWD	1896	66	90	11.04-05.10	*
1.9 TDI (BXJ)		Diesel	FWD	1896	66	90	11.04-05.10	*
1.9 TDI (AVQ)		Diesel	FWD	1896	74	100	02.03-05.04	*
1.9 TDI (AVQ)		Diesel	FWD	1896	74	100	02.03-05.04	*
1.9 TDI (BKC)		Diesel	FWD	1896	77	105	08.03-05.10	*
1.9 TDI (BKC)		Diesel	FWD	1896	77	105	08.03-05.10	*
1.9 TDI (BLS)		Diesel	FWD	1896	77	105	08.03-05.10	*
1.9 TDI (BLS)		Diesel	FWD	1896	77	105	08.03-05.10	*
1.9 TDI (BXE)		Diesel	FWD	1896	77	105	08.03-05.10	*
1.9 TDI (BXE)		Diesel	FWD	1896	77	105	08.03-05.10	*
2.0 TDI (AZV)		Diesel	FWD	1968	100	136	02.03-05.10	*
2.0 TDI (AZV)		Diesel	FWD	1968	100	136	02.03-05.10	*
2.0 TDI (BMM)		Diesel	FWD	1968	103	140	12.05-05.10	*
2.0 TDI (BMM)		Diesel	FWD	1968	103	140	12.05-05.10	*
2.0 TDI 16V (BKD)		Diesel	FWD	1968	103	140	08.03-05.10	*
2.0 TDI 16V (BKD)		Diesel	FWD	1968	103	140	08.03-05.10	*
2.0 TDI (BMN)		Diesel	FWD	1968	125	170	12.05-05.10	*
2.0 TDI (BMN)		Diesel	FWD	1968	125	170	12.05-05.10	*
2.0 TDI (CFJA)		Diesel	FWD	1968	125	170	12.05-05.10	*
2.0 TDI (CFJA)		Diesel	FWD	1968	125	170	12.05-05.10	*
2.0 EcoFuel (BSX)		CNG	FWD	1984	80	109	02.06-05.09	*
2.0 EcoFuel (BSX)		CNG	FWD	1984	80	109	02.06-05.09	*
TOURAN VAN (1T1, 1T2) 02.03-05.10					Furgoneta/MPV (Compact MPV-M1 Segment)			
FSI		Gasolina	FWD	1598	85	116	02.03-11.06	*
FSI		Gasolina	FWD	1598	85	116	02.03-11.06	*
2.0 FSI		Gasolina	FWD	1984	110	150	05.04-01.07	*
2.0 FSI		Gasolina	FWD	1984	110	150	05.04-01.07	*
2.0 EcoFuel		Gasol./Gas (CNG)	FWD	1984	80	109	02.06-11.06	*
2.0 EcoFuel		Gasol./Gas (CNG)	FWD	1984	80	109	02.06-11.06	*
1.9 TDI		Diesel	FWD	1896	74	101	10.03-05.05	*
1.9 TDI		Diesel	FWD	1896	74	101	10.03-05.05	*
1.9 TDI		Diesel	FWD	1896	77	105	08.03-11.06	*
1.9 TDI		Diesel	FWD	1896	77	105	08.03-11.06	*
2.0 TDI		Diesel	FWD	1968	100	136	02.03-05.10	*
2.0 TDI		Diesel	FWD	1968	100	136	02.03-05.10	*

LISTA DE APLICACIONES - BUYERS GUIDE

VW (FAW)

CADDY (9HB) 04.04-12.07				[CAMBIADO]:Furgón (LCVs-N1 Segment)			
1.6	Gasolina	FWD	1595	75	102	03.05-	*
1.6	Gasolina	FWD	1595	75	102	03.05-	*
2.0	Gasolina	FWD	1996	51	69	03.05-	*
2.0	Gasolina	FWD	1996	51	69	03.05-	*

VW (SVW)

TOURAN II (9R1, 9R3) 11.04-				MPV (Compact MPV-M1 Segment)			
1.4 T	Gasolina	FWD	1390	96	131	12.10-	*
1.4 T	Gasolina	FWD	1390	96	131	12.10-	*
1.8 Turbo	Gasolina	FWD	1781	110	148	11.04-01.08	*
1.8 Turbo	Gasolina	FWD	1781	110	148	11.04-01.08	*
2.0	Gasolina	FWD	1984	85	114	11.04-	*
2.0	Gasolina	FWD	1984	85	114	11.04-	*
2.0	Gasolina	FWD	1984	88	120	04.09-	*
2.0	Gasolina	FWD	1984	88	120	04.09-	*