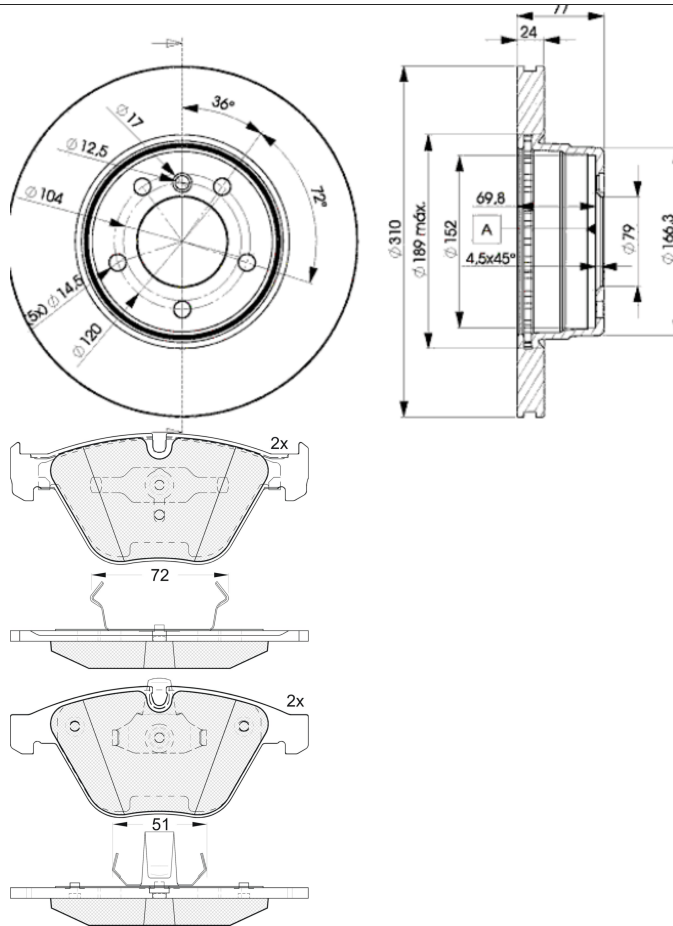


# LISTA DE APLICACIONES - BUYERS GUIDE

## 3R15776402



Weight: 19.250



## 3R15776402



Ate - Teves

155.2x68.3x20.3  
Ø310x24x77

- WVA**
- 23311
  - 23312
  - 23347
  - 23704
  - 23733

Sin Filas



Trac.	CC	Kw	CV
-------	----	----	----



Front / Rear

### BMW

#### 5 Serie V (E60) 12.01-03.10

#### Sedán (Executive car-E Segment)

Modelo	Trac.	CC	Kw	CV	Período	Nota
520 i (N46 B20 B)	RWD	1995	115	156	09.07-02.10	*
520 i (N46 B20 B)	RWD	1995	115	156	09.07-02.10	*
520 i (N43 B20 A)	RWD	1995	120	163	12.06-03.10	*
520 i (N43 B20 A)	RWD	1995	120	163	12.06-03.10	*
520 i (N43 B20 A)	RWD	1995	125	170	09.07-12.09	*
520 i (N43 B20 A)	RWD	1995	125	170	09.07-12.09	*
520 i (M54 B22 (226S1))	RWD	2171	125	170	07.03-03.10	*
520 i (M54 B22 (226S1))	RWD	2171	125	170	07.03-03.10	*
525 i	RWD	2494	137	186	07.03-12.09	*
525 i	RWD	2494	137	186	07.03-12.09	*
525 i (M54 B25 (256S5))	RWD	2494	141	192	09.03-02.05	*
525 i (M54 B25 (256S5))	RWD	2494	141	192	09.03-02.05	*
523 i (N52 B25 A)	RWD	2497	130	177	10.04-02.07	*
523 i (N52 B25 A)	RWD	2497	130	177	10.04-02.07	*
523 i (N52 B25 B)	RWD	2497	130	177	10.04-02.07	*
523 i (N52 B25 B)	RWD	2497	130	177	10.04-02.07	*
523 i (N52 B25 BE)	RWD	2497	130	177	10.04-02.07	*
523 i (N52 B25 BE)	RWD	2497	130	177	10.04-02.07	*
523 i (N52 B25 A)	RWD	2497	140	190	03.07-12.09	*
523 i (N52 B25 A)	RWD	2497	140	190	03.07-12.09	*
523 i (N52 B25 BE)	RWD	2497	140	190	03.07-12.09	*
523 i (N52 B25 BE)	RWD	2497	140	190	03.07-12.09	*
525 i (N52 B25 A)	RWD	2497	155	211	07.05-03.10	*

# LISTA DE APLICACIONES - BUYERS GUIDE

525 i (N52 B25 A)		Gasolina	RWD	2497	155	211	07.05-03.10	*
525 i (N52 B25 A)		Gasolina	RWD	2497	160	218	03.05-12.09	*
525 i (N52 B25 A)		Gasolina	RWD	2497	160	218	03.05-12.09	*
525 i (N52 B25 B)		Gasolina	RWD	2497	160	218	03.05-12.09	*
525 i (N52 B25 B)		Gasolina	RWD	2497	160	218	03.05-12.09	*
525 i (N52 B25 BF)		Gasolina	RWD	2497	160	218	03.05-12.09	*
525 i (N52 B25 BF)		Gasolina	RWD	2497	160	218	03.05-12.09	*
525 xi (N52 B25 A)		Gasolina	4WD	2497	160	218	04.05-02.07	*
525 xi (N52 B25 A)		Gasolina	4WD	2497	160	218	04.05-02.07	*
525 i (N53 B30 A)		Gasolina	RWD	2996	155	211	01.07-03.10	*
525 i (N53 B30 A)		Gasolina	RWD	2996	155	211	01.07-03.10	*
525 i (N53 B30 A)		Gasolina	RWD	2996	160	218	01.07-03.10	*
525 i (N53 B30 A)		Gasolina	RWD	2996	160	218	01.07-03.10	*
525 xi (N53 B30 A)		Gasolina	4WD	2996	160	218	03.07-12.09	*
525 xi (N53 B30 A)		Gasolina	4WD	2996	160	218	03.07-12.09	*
520 d (M47 D20 (204D4))		Diesel	RWD	1995	110	150	09.05-02.07	*
520 d (M47 D20 (204D4))		Diesel	RWD	1995	110	150	09.05-02.07	*
520 d (M47 D20 (204D4))		Diesel	RWD	1995	120	163	09.05-12.09	*
520 d (M47 D20 (204D4))		Diesel	RWD	1995	120	163	09.05-12.09	*
520 d (N47 D20 C)		Diesel	RWD	1995	120	163	09.05-12.09	*
520 d (N47 D20 C)		Diesel	RWD	1995	120	163	09.05-12.09	*
520 d (N47 D20 A)		Diesel	RWD	1995	130	177	09.07-12.09	*
520 d (N47 D20 A)		Diesel	RWD	1995	130	177	09.07-12.09	*
520 d (N47 D20 C)		Diesel	RWD	1995	130	177	09.07-12.09	*
520 d (N47 D20 C)		Diesel	RWD	1995	130	177	09.07-12.09	*
525 d (M57 D25 (256D2))		Diesel	RWD	2497	120	163	12.04-03.10	*
525 d (M57 D25 (256D2))		Diesel	RWD	2497	120	163	12.04-03.10	*
525 d (M57 D25 (256D2))		Diesel	RWD	2497	130	177	06.04-03.10	*
525 d (M57 D25 (256D2))		Diesel	RWD	2497	130	177	06.04-03.10	*
<b>5 Serie V Touring (E61) 03.04-12.10</b>							<b>[CAMBIADO]:Break (Executive car-E Segment)</b>	
520 i (N43 B20 A)		Gasolina	RWD	1995	120	163	07.07-08.10	*
520 i (N43 B20 A)		Gasolina	RWD	1995	120	163	07.07-08.10	*
520 i (N43 B20 A)		Gasolina	RWD	1995	125	170	09.07-12.10	*
520 i (N43 B20 A)		Gasolina	RWD	1995	125	170	09.07-12.10	*
525 i (M54 B25 (256S5))		Gasolina	RWD	2494	141	192	06.04-12.10	*
525 i (M54 B25 (256S5))		Gasolina	RWD	2494	141	192	06.04-12.10	*
523 i (N52 B25 A)		Gasolina	RWD	2497	130	177	10.04-02.07	*
523 i (N52 B25 A)		Gasolina	RWD	2497	130	177	10.04-02.07	*
523 i (N52 B25 B)		Gasolina	RWD	2497	130	177	10.04-02.07	*
523 i (N52 B25 B)		Gasolina	RWD	2497	130	177	10.04-02.07	*
523 i (N52 B25 BE)		Gasolina	RWD	2497	130	177	10.04-02.07	*
523 i (N52 B25 BE)		Gasolina	RWD	2497	130	177	10.04-02.07	*
523 i (N52 B25 A)		Gasolina	RWD	2497	140	190	03.07-01.10	*
523 i (N52 B25 A)		Gasolina	RWD	2497	140	190	03.07-01.10	*
525 i (N52 B25 A)		Gasolina	RWD	2497	160	218	03.05-05.10	*
525 i (N52 B25 A)		Gasolina	RWD	2497	160	218	03.05-05.10	*
525 i (N52 B25 B)		Gasolina	RWD	2497	160	218	03.05-05.10	*
525 i (N52 B25 B)		Gasolina	RWD	2497	160	218	03.05-05.10	*
525 i (N52 B25 BF)		Gasolina	RWD	2497	160	218	03.05-05.10	*
525 i (N52 B25 BF)		Gasolina	RWD	2497	160	218	03.05-05.10	*
525 xi (N52 B25 A)		Gasolina	4WD	2497	160	218	07.05-12.10	*

## LISTA DE APLICACIONES - BUYERS GUIDE

525 xi (N52 B25 A)	Gasolina	4WD	2497	160	218	07.05-12.10	*
525 i (N53 B30 A)	Gasolina	RWD	2996	160	218	01.07-12.10	*
525 i (N53 B30 A)	Gasolina	RWD	2996	160	218	01.07-12.10	*
525 xi (N53 B30 A)	Gasolina	4WD	2996	160	218	01.07-12.10	*
525 xi (N53 B30 A)	Gasolina	4WD	2996	160	218	01.07-12.10	*
520 d (M47 D20 (204D4))	Diesel	RWD	1995	110	150	09.05-02.07	*
520 d (M47 D20 (204D4))	Diesel	RWD	1995	110	150	09.05-02.07	*
520 d (M47 D20 (204D4))	Diesel	RWD	1995	120	163	04.05-05.10	*
520 d (M47 D20 (204D4))	Diesel	RWD	1995	120	163	04.05-05.10	*
520 d (N47 D20 C)	Diesel	RWD	1995	120	163	04.05-05.10	*
520 d (N47 D20 C)	Diesel	RWD	1995	120	163	04.05-05.10	*
525 d (M57 D25 (256D2))	Diesel	RWD	2497	120	163	03.04-03.07	*
525 d (M57 D25 (256D2))	Diesel	RWD	2497	120	163	03.04-03.07	*
525 d (M57 D25 (256D2))	Diesel	RWD	2497	130	177	03.04-03.07	*
525 d (M57 D25 (256D2))	Diesel	RWD	2497	130	177	03.04-03.07	*

### BMW (BRILLIANCE)

#### 5 SERIES V (E60) 07.03-12.10

#### Sedán (Executive car-E Segment)

520 i	Gasolina	RWD	2171	127	173	05.04-12.06	*
520 i	Gasolina	RWD	2171	127	173	05.04-12.06	*
2.5 523i	Gasolina	FWD	2494	130	175	07.03-	*
2.5 523i	Gasolina	FWD	2494	130	175	07.03-	*
525 i	Gasolina	RWD	2494	141	192	04.04-02.06	*
525 i	Gasolina	RWD	2494	141	192	04.04-02.06	*
525 i	Gasolina	RWD	2497	160	218	01.05-01.06	*
525 i	Gasolina	RWD	2497	160	218	01.05-01.06	*