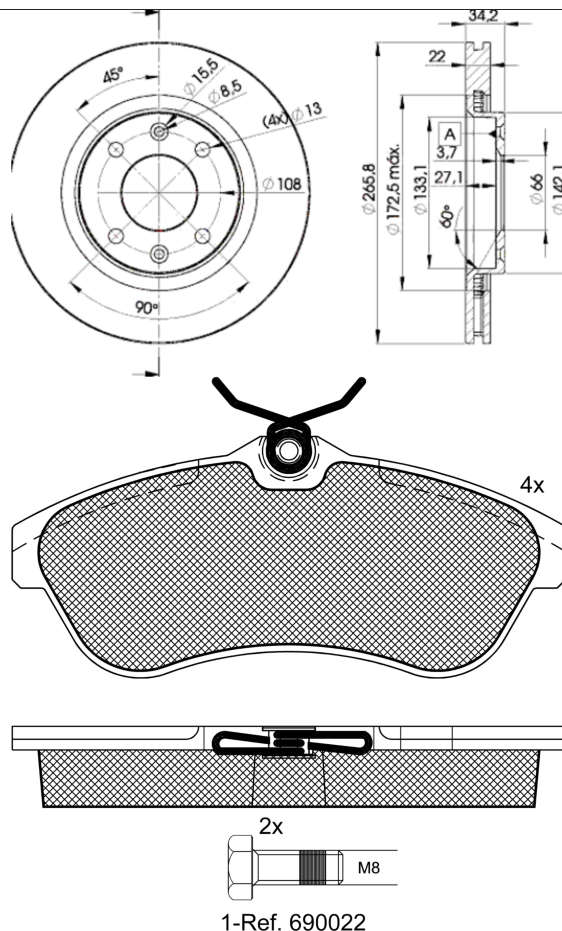


LISTA DE APLICACIONES - BUYERS GUIDE

3R14514750

Weight: 12.234



3R14514750



Lucas - Girling

128.9x56.3x19.3
Ø266x22x34

WVA
23409

Sin Filas



Trac.	CC	Kw	CV				
						Front / Rear	

CITROËN

C2 (JM_) 07.03-09.17							[CAMBIADO]:Fastback (Supermini car-B Segment)	
1.6 (NFU (TU5JP4))		Gasolina	FWD	1587	80	109	07.03-10.10	*
1.6 (NFU (TU5JP4))		Gasolina	FWD	1587	80	109	07.03-10.10	*
1.6 VTS (NFS (TU5JP4S))		Gasolina	FWD	1587	90	122	10.04-12.09	*
1.6 VTS (NFS (TU5JP4S))		Gasolina	FWD	1587	90	122	10.04-12.09	*
C3 (FC_, FN_) 02.02-							[CAMBIADO]:Fastback (Supermini car-B Segment)	
1.6 16V (NFU (TU5JP4))		Gasolina	FWD	1587	80	109	02.02-08.10	*
1.6 16V (NFU (TU5JP4))		Gasolina	FWD	1587	80	109	02.02-08.10	*
1.4 16V HDi (8HY (DV4TED4))		Diesel	FWD	1398	66	90	02.02-06.08	*
1.4 16V HDi (8HY (DV4TED4))		Diesel	FWD	1398	66	90	02.02-06.08	*
1.6 16V HDi (9HX (DV6ATED4))		Diesel	FWD	1560	66	90	10.05-12.09	*
1.6 16V HDi (9HX (DV6ATED4))		Diesel	FWD	1560	66	90	10.05-12.09	*
1.6 16V HDi (9HZ (DV6TED4))		Diesel	FWD	1560	80	109	09.05-12.09	*
1.6 16V HDi (9HZ (DV6TED4))		Diesel	FWD	1560	80	109	09.05-12.09	*
C3 Pluriel (HB_) 05.03-							Cabrio (Supermini car-B Segment)	
1.4 (KFV (TU3A))		Gasolina	FWD	1360	54	73	05.03-	*
1.4 (KFV (TU3A))		Gasolina	FWD	1360	54	73	05.03-	*
1.4 (KFV (TU3JP))		Gasolina	FWD	1360	54	73	05.03-	*
1.4 (KFV (TU3JP))		Gasolina	FWD	1360	54	73	05.03-	*
1.4 (KFV (TU3A))		Gasolina	FWD	1360	55	75	07.03-	*
1.4 (KFV (TU3A))		Gasolina	FWD	1360	55	75	07.03-	*
1.6 (NFU (TU5JP4))		Gasolina	FWD	1587	80	109	05.03-	*
1.6 (NFU (TU5JP4))		Gasolina	FWD	1587	80	109	05.03-	*

LISTA DE APLICACIONES - BUYERS GUIDE

1.4 Hybrid		Gasol./el éc.	FWD	1360	54	73	05.05-	*
1.4 Hybrid		Gasol./el éc.	FWD	1360	54	73	05.05-	*
1.4 HDi (8HX (DV4TD))		Diesel	FWD	1398	50	68	04.04-	*
1.4 HDi (8HX (DV4TD))		Diesel	FWD	1398	50	68	04.04-	*