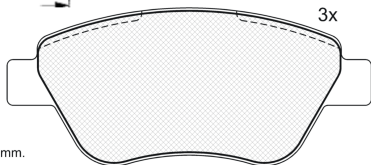
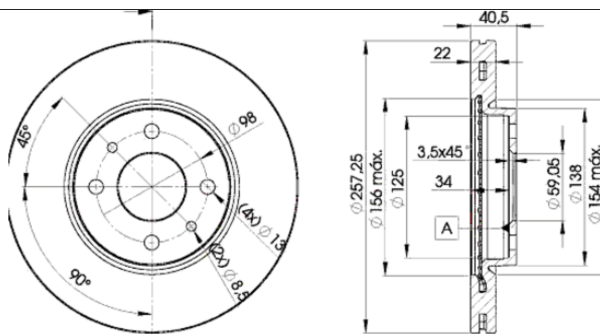


# LISTA DE APLICACIONES - BUYERS GUIDE

## 3R14441650

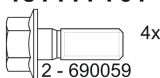
Weight: 13.100



L= 216 mm.



181444-701



## 3R14441650



Bosch

122.9x53.2x17.8

Ø257x22x40.5

WVA

23705

Sin Filas



Trac.	CC	Kw	CV
-------	----	----	----



Front / Rear

### ALFA ROMEO

#### MITO (955\_) 08.08-

[CAMBIADO]:Fastback (Supermini car-B Segment)

Modelo	Motor	Trac.	CC	Kw	CV	Fecha	Nota
1.4 (955.AXB1B, 955.AXU1A) (350 A1.000)	Gasolina	FWD	1368	57	78	03.11-10.18	*
1.4 (955.AXB1B, 955.AXU1A) (350 A1.000)	Gasolina	FWD	1368	57	78	03.11-10.18	*
1.4 (955AXB1B)	Gasolina	FWD	1368	57	78	03.11-	*
1.4 (955AXB1B)	Gasolina	FWD	1368	57	78	03.11-	*
1.4 (955AXB1B) (955 A1.000)	Gasolina	FWD	1368	58	78	08.08-08.13	*
1.4 (955AXB1B) (955 A1.000)	Gasolina	FWD	1368	58	78	08.08-08.13	*

### CITROËN

#### NEMO (AA\_) 02.08-

Furgoneta/MPV (LCVs-N1 Segment)

Modelo	Motor	Trac.	CC	Kw	CV	Fecha	Nota
1.4 (KFV (TU3A))	Gasolina	FWD	1360	54	73	02.08-	*
1.4 (KFV (TU3A))	Gasolina	FWD	1360	54	73	02.08-	*
1.4 HDi (8HS (DV4TED))	Diesel	FWD	1398	50	68	02.08-	*
1.4 HDi (8HS (DV4TED))	Diesel	FWD	1398	50	68	02.08-	*

#### NEMO 04.09-

MPV ()

Modelo	Motor	Trac.	CC	Kw	CV	Fecha	Nota
1.4 (KFT (TU3A))	Gasolina	FWD	1360	54	73	04.09-	*
1.4 (KFT (TU3A))	Gasolina	FWD	1360	54	73	04.09-	*
1.4 (KFV (TU3A))	Gasolina	FWD	1360	54	73	04.09-	*
1.4 (KFV (TU3A))	Gasolina	FWD	1360	54	73	04.09-	*
1.4 HDi (8HS (DV4TED))	Diesel	FWD	1399	50	68	04.09-	*
1.4 HDi (8HS (DV4TED))	Diesel	FWD	1399	50	68	04.09-	*

### FIAT

# LISTA DE APLICACIONES - BUYERS GUIDE

					[CAMBIADO]:Fastback (City car-A Segment)				
<b>500 II (312_) 07.07-</b>									
1.4		Gasolina	FWD	1368	65	88	01.12-	*	
1.4		Gasolina	FWD	1368	65	88	01.12-	*	
1.4 Flex		Gasolina	FWD	1368	65	88	01.12-	*	
1.4 Flex		Gasolina	FWD	1368	65	88	01.12-	*	
1.4 (312AXC1B, 312CXC1B) (169 A3.000)		Gasolina	FWD	1368	74	100	10.07-	*	
1.4 (312AXC1B, 312CXC1B) (169 A3.000)		Gasolina	FWD	1368	74	100	10.07-	*	
1.4		Gasolina	FWD	1368	77	105	02.09-	*	
1.4		Gasolina	FWD	1368	77	105	02.09-	*	
1.4 Multiair		Gasolina	FWD	1368	77	105	08.11-	*	
1.4 Multiair		Gasolina	FWD	1368	77	105	08.11-	*	
1.4 Abarth		Gasolina	FWD	1368	123	167	11.14-	*	
1.4 Abarth		Gasolina	FWD	1368	123	167	11.14-	*	
<b>BRAVO II / RITMO III (198_) 11.06-</b>					[CAMBIADO]:Fastback (Compact car-C Segment)				
1.4 (198AXA1B) (192 B2.000)		Gasolina	FWD	1368	66	90	04.07-12.14	*	
1.4 (198AXA1B) (192 B2.000)		Gasolina	FWD	1368	66	90	04.07-12.14	*	
1.4 LPG (198AXA1B) (192 B2.000)		Gasol./Gas (LPG)	FWD	1368	66	90	12.08-12.14	*	
1.4 LPG (198AXA1B) (192 B2.000)		Gasol./Gas (LPG)	FWD	1368	66	90	12.08-12.14	*	
<b>FIORINO III (225_) 01.07-</b>					MPV (Mini MPV-M1 Segment)				
1.4 (225BXA1A)		Gasolina	FWD	1360	54	73	11.07-	*	
1.4 (225BXA1A)		Gasolina	FWD	1360	54	73	11.07-	*	
1.4 (225AXA1A)		Gasolina	FWD	1368	57	77	07.14-	*	
1.4 (225AXA1A)		Gasolina	FWD	1368	57	77	07.14-	*	
1.4 CNG (225AXC1A, 225BXC1A)		Gasol./Gas (CNG)	FWD	1368	57	77	06.08-	*	
1.4 CNG (225AXC1A, 225BXC1A)		Gasol./Gas (CNG)	FWD	1368	57	77	06.08-	*	
1.3 JTD Multijet (225BXB1A, 225BXB11)		Diesel	FWD	1248	55	75	11.07-	*	
1.3 JTD Multijet (225BXB1A, 225BXB11)		Diesel	FWD	1248	55	75	11.07-	*	
1.3 JTD Multijet		Diesel	FWD	1248	70	95	01.11-	*	
1.3 JTD Multijet		Diesel	FWD	1248	70	95	01.11-	*	
<b>FIORINO III - QUBO (225_) 01.07-</b>					Furgoneta/MPV (LCVs-N1 Segment)				
1.3 MPI		Gasolina	FWD	1242	52	71	01.07-	*	
1.3 MPI		Gasolina	FWD	1242	52	71	01.07-	*	
1.4 (225BXA1A, 225BXF1A) (KFT)		Gasolina	FWD	1360	54	73	11.07-	*	
1.4 (225BXA1A, 225BXF1A) (KFT)		Gasolina	FWD	1360	54	73	11.07-	*	
1.4 (225BXA1A, 225BXF1A) (KFV)		Gasolina	FWD	1360	54	73	11.07-	*	
1.4 (225BXA1A, 225BXF1A) (KFV)		Gasolina	FWD	1360	54	73	11.07-	*	
1.4 (225AXA1A, 225BXA1A) (350 A1.000)		Gasolina	FWD	1368	57	78	10.09-	*	
1.4 (225AXA1A, 225BXA1A) (350 A1.000)		Gasolina	FWD	1368	57	78	10.09-	*	
1.4 Natural Power (225BXC1A, 225AXC1A) (350 A1.000)		Gasol./Gas (CNG)	FWD	1368	57	78	06.08-	*	
1.4 Natural Power (225BXC1A, 225AXC1A) (350 A1.000)		Gasol./Gas (CNG)	FWD	1368	57	78	06.08-	*	
1.3 D Multijet (225BXD1A, 225BXB1A, 225BXB11) (199 A2.000)		Diesel	FWD	1248	55	75	11.07-	*	
1.3 D Multijet (225BXD1A, 225BXB1A, 225BXB11) (199 A2.000)		Diesel	FWD	1248	55	75	11.07-	*	
1.3 D Multijet (225BXD1A, 225BXB1A, 225BXB11) (199 A9.000)		Diesel	FWD	1248	55	75	11.07-	*	

# LISTA DE APLICACIONES - BUYERS GUIDE

1.3 D Multijet (225BXD1A, 225BXB1A, 225BXB11) (199 A9.000)	Diesel	FWD	1248	55	75	11.07-	*
1.3 D Multijet (225 A2.000)	Diesel	FWD	1248	59	80	03.15-	*
1.3 D Multijet (225 A2.000)	Diesel	FWD	1248	59	80	03.15-	*
1.3 D Multijet (552 83 775)	Diesel	FWD	1248	59	80	03.15-	*
1.3 D Multijet (552 83 775)	Diesel	FWD	1248	59	80	03.15-	*
1.3 D Multijet (199 B1.000)	Diesel	FWD	1248	70	95	07.09-	*
1.3 D Multijet (199 B1.000)	Diesel	FWD	1248	70	95	07.09-	*
1.3 D Multijet (330 A1.000)	Diesel	FWD	1248	70	95	07.09-	*
1.3 D Multijet (330 A1.000)	Diesel	FWD	1248	70	95	07.09-	*
1.4 HDi	Diesel	RWD	1395	50	68	01.07-	*
1.4 HDi	Diesel	RWD	1395	50	68	01.07-	*
<b>FIORINO III - QUBO (225_) 02.08-</b>				<b>MPV (Mini MPV-M1 Segment)</b>			
1.4 (225AXA1A) (KFT)	Gasolina	FWD	1360	54	73	02.08-	*
1.4 (225AXA1A) (KFT)	Gasolina	FWD	1360	54	73	02.08-	*
1.4 (225AXA1A) (KFV)	Gasolina	FWD	1360	54	73	02.08-	*
1.4 (225AXA1A) (KFV)	Gasolina	FWD	1360	54	73	02.08-	*
1.4 (225AXA1A, 225CXA1A) (350 A1.000)	Gasolina	FWD	1368	57	78	10.09-	*
1.4 (225AXA1A, 225CXA1A) (350 A1.000)	Gasolina	FWD	1368	57	78	10.09-	*
1.4 Natural Power (225AXC1A, 225BXC1A) (350 A1.000)	Gasol./Gas (CNG)	FWD	1368	57	78	10.09-	*
1.4 Natural Power (225AXC1A, 225BXC1A) (350 A1.000)	Gasol./Gas (CNG)	FWD	1368	57	78	10.09-	*
1.3 D Multijet (225CXB1A, 225AXB1A, 225CXB11, 225AXB11,...) (199 A2.000)	Diesel	FWD	1248	55	75	02.08-	*
1.3 D Multijet (225CXB1A, 225AXB1A, 225CXB11, 225AXB11,...) (199 A2.000)	Diesel	FWD	1248	55	75	02.08-	*
1.3 D Multijet (225CXB1A, 225AXB1A, 225CXB11, 225AXB11,...) (199 A9.000)	Diesel	FWD	1248	55	75	02.08-	*
1.3 D Multijet (225CXB1A, 225AXB1A, 225CXB11, 225AXB11,...) (199 A9.000)	Diesel	FWD	1248	55	75	02.08-	*
1.3 D Multijet (225AXG1A, 225CXG1A, 225AXG11, 225CXG11) (225 A2.000)	Diesel	FWD	1248	59	80	03.15-	*
1.3 D Multijet (225AXG1A, 225CXG1A, 225AXG11, 225CXG11) (225 A2.000)	Diesel	FWD	1248	59	80	03.15-	*
1.3 D Multijet (225AXE1A, 225CXE1A, 225AXH1A, 225AXL1A,...) (199 B1.000)	Diesel	FWD	1248	70	95	07.10-	*
1.3 D Multijet (225AXE1A, 225CXE1A, 225AXH1A, 225AXL1A,...) (199 B1.000)	Diesel	FWD	1248	70	95	07.10-	*
<b>IDEA (350_) 12.03-</b>				<b>Furgoneta/MPV (Mini MPV-M1 Segment)</b>			
1.4 (350BXA1A)	Gasolina	FWD	1368	70	95	10.04-12.12	*
1.4 (350BXA1A)	Gasolina	FWD	1368	70	95	10.04-12.12	*
JTD Multijet (350BXB1A)	Diesel	FWD	1248	51	69	10.04-12.11	*
JTD Multijet (350BXB1A)	Diesel	FWD	1248	51	69	10.04-12.11	*
<b>IDEA (350_) 12.03-</b>				<b>MPV (Mini MPV-M1 Segment)</b>			
1.2 16V (188 A5.000)	Gasolina	FWD	1242	59	80	01.04-	*
1.2 16V (188 A5.000)	Gasolina	FWD	1242	59	80	01.04-	*
1.4 (350 A1.000)	Gasolina	FWD	1368	57	77	10.05-	*
1.4 (350 A1.000)	Gasolina	FWD	1368	57	77	10.05-	*
1.4 (192 B2.000)	Gasolina	FWD	1368	66	90	12.03-	*
1.4 (192 B2.000)	Gasolina	FWD	1368	66	90	12.03-	*
1.4 16V (843 A1.000)	Gasolina	FWD	1368	70	95	01.04-	*
1.4 16V (843 A1.000)	Gasolina	FWD	1368	70	95	01.04-	*
1.3 D Multijet (188 A9.000)	Diesel	FWD	1248	51	70	01.04-	*
1.3 D Multijet (188 A9.000)	Diesel	FWD	1248	51	70	01.04-	*

# LISTA DE APLICACIONES - BUYERS GUIDE

<b>LINEA (323_, 110_) 10.06-</b>					<b>Sedán (Compact car-C Segment)</b>			
1.4 (350 A1.000)		Gasolina	FWD	1368	57	77	06.07-	*
1.4 (350 A1.000)		Gasolina	FWD	1368	57	77	06.07-	*
1.4		Gasolina	FWD	1368	66	90	12.08-	*
1.4		Gasolina	FWD	1368	66	90	12.08-	*
1.4 T-Jet		Gasolina	FWD	1368	84	114	09.07-03.13	*
1.4 T-Jet		Gasolina	FWD	1368	84	114	09.07-03.13	*
1.3 D Multijet (323AXB1A) (199 A3.000)		Diesel	FWD	1248	66	90	06.07-	*
1.3 D Multijet (323AXB1A) (199 A3.000)		Diesel	FWD	1248	66	90	06.07-	*
1.3 D Multijet (323AXB1A) (199 A3.000)		Diesel	FWD	1248	70	95	09.09-	*
1.3 D Multijet (323AXB1A) (199 A3.000)		Diesel	FWD	1248	70	95	09.09-	*
<b>STILO (192_) 10.01-11.10</b>					<b>[CAMBIADO]:Fastback (Compact car-C Segment)</b>			
1.2 16V (192_XA1B) (188 A5.000)		Gasolina	FWD	1242	59	80	11.01-12.03	*
1.2 16V (192_XA1B) (188 A5.000)		Gasolina	FWD	1242	59	80	11.01-12.03	*
1.4 16V (192 B2.000)		Gasolina	FWD	1368	66	90	03.05-11.06	*
1.4 16V (192 B2.000)		Gasolina	FWD	1368	66	90	03.05-11.06	*
1.4 16V (192AXH1B, 192BXH1B) (843 A1.000)		Gasolina	FWD	1368	70	95	10.03-12.06	*
1.4 16V (192AXH1B, 192BXH1B) (843 A1.000)		Gasolina	FWD	1368	70	95	10.03-12.06	*
1.6 16V (192_XB1A) (182 B6.000)		Gasolina	FWD	1596	76	103	10.01-11.06	*
1.6 16V (192_XB1A) (182 B6.000)		Gasolina	FWD	1596	76	103	10.01-11.06	*
1.6 (182 B6.000)		Gasolina	FWD	1596	100	136	04.05-11.06	*
1.6 (182 B6.000)		Gasolina	FWD	1596	100	136	04.05-11.06	*
1.8		Gasolina	FWD	1796	76	103	01.04-11.06	*
1.8		Gasolina	FWD	1796	76	103	01.04-11.06	*
1.8 Flex		Gasolina	FWD	1796	84	114	09.05-11.10	*
1.8 Flex		Gasolina	FWD	1796	84	114	09.05-11.10	*
1.8		Gasolina	FWD	1796	90	122	01.04-11.06	*
1.8		Gasolina	FWD	1796	90	122	01.04-11.06	*
<b>STILO (192_) 10.01-08.08</b>					<b>[CAMBIADO]:Furgón/Break (Compact car-C Segment)</b>			
1.4 (192DXH1B) (843 A1.000)		Gasolina	FWD	1368	70	95	01.04-08.08	*
1.4 (192DXH1B) (843 A1.000)		Gasolina	FWD	1368	70	95	01.04-08.08	*
1.6 (192DXB1A) (182 B6.000)		Gasolina	FWD	1596	100	136	04.05-08.08	*
1.6 (192DXB1A) (182 B6.000)		Gasolina	FWD	1596	100	136	04.05-08.08	*
<b>STILO Multi Wagon (192_) 01.03-08.08</b>					<b>[CAMBIADO]:Break (Compact car-C Segment)</b>			
1.4 16V (192 B2.000)		Gasolina	FWD	1368	66	90	03.05-08.08	*
1.4 16V (192 B2.000)		Gasolina	FWD	1368	66	90	03.05-08.08	*
1.8		Gasolina	FWD	1796	76	103	01.04-08.08	*
1.8		Gasolina	FWD	1796	76	103	01.04-08.08	*
1.8		Gasolina	FWD	1796	84	114	09.05-08.08	*
1.8		Gasolina	FWD	1796	84	114	09.05-08.08	*
1.8		Gasolina	FWD	1796	90	122	01.04-08.08	*
1.8		Gasolina	FWD	1796	90	122	01.04-08.08	*
<b>PEUGEOT</b>								
<b>BIPPER (AA_) 02.08-</b>					<b>Furgoneta/MPV (LCVs-N1 Segment)</b>			
1.4 (KFV (TU3A))		Gasolina	FWD	1360	54	73	02.08-	*
1.4 (KFV (TU3A))		Gasolina	FWD	1360	54	73	02.08-	*
1.4 HDi (8HS (DV4TED))		Diesel	FWD	1398	50	68	02.08-	*
1.4 HDi (8HS (DV4TED))		Diesel	FWD	1398	50	68	02.08-	*