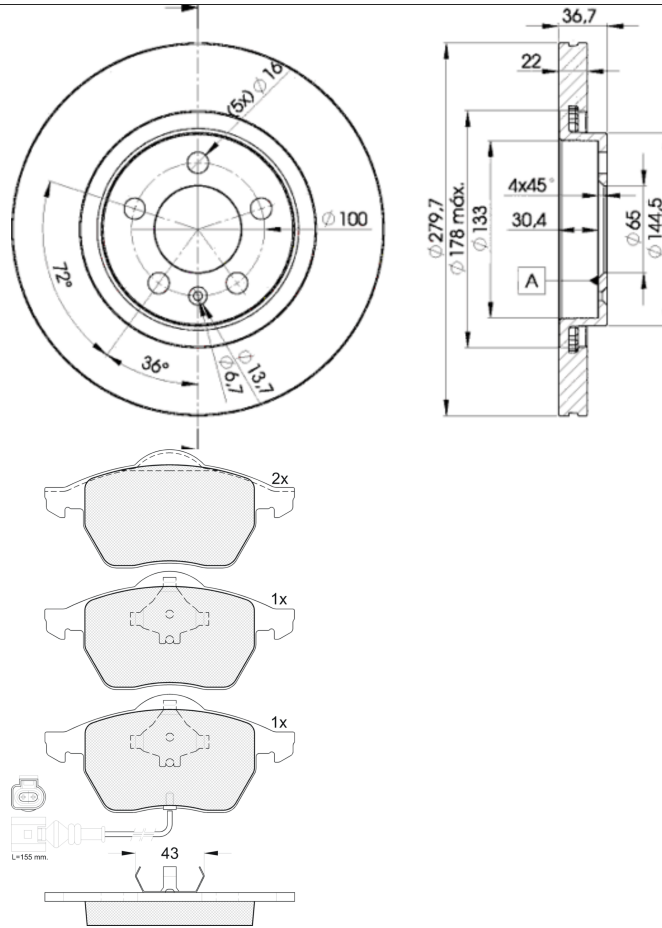


LISTA DE APLICACIONES - BUYERS GUIDE

3R13965603

Weight: 14.521



3R13965603



Ate - Teves

156.3x74.1x20.6
Ø280x22x36.5

WVA
23392
Sin Filas



Trac.	CC	Kw	CV
-------	----	----	----



Front / Rear

SEAT

TOLEDO II (1M2) 10.98-05.06

Sedán (Compact car-C Segment)

Motor	Trac.	CC	Kw	CV	Periodo	Nota
1.8	Gasolina	FWD	1781	132	179 05.01-04.04	*
1.8	Gasolina	FWD	1781	132	179 05.01-04.04	*
1.8 20VT (APP)	Gasolina	FWD	1781	132	180 09.00-07.04	*
1.8 20VT (APP)	Gasolina	FWD	1781	132	180 09.00-07.04	*
1.8 20VT (ARY)	Gasolina	FWD	1781	132	180 09.00-07.04	*
1.8 20VT (ARY)	Gasolina	FWD	1781	132	180 09.00-07.04	*
1.8 20VT (AUQ)	Gasolina	FWD	1781	132	180 09.00-07.04	*
1.8 20VT (AUQ)	Gasolina	FWD	1781	132	180 09.00-07.04	*
1.8	Gasolina	FWD	1781	154	209 05.02-05.03	*
1.8	Gasolina	FWD	1781	154	209 05.02-05.03	*
1.9 TDI (ASZ)	Diesel	FWD	1896	96	130 05.03-05.06	*
1.9 TDI (ASZ)	Diesel	FWD	1896	96	130 05.03-05.06	*

SKODA

OCTAVIA (1U2) 09.96-12.10

[CAMBIADO]:Fastback (Compact car-C Segment)

Motor	Trac.	CC	Kw	CV	Periodo	Nota
1.8 (AGN)	Gasolina	FWD	1781	92	125 09.96-07.00	*
1.8 (AGN)	Gasolina	FWD	1781	92	125 09.96-07.00	*
1.8 T (AGU)	Gasolina	FWD	1781	110	150 08.97-12.10	*
1.8 T (AGU)	Gasolina	FWD	1781	110	150 08.97-12.10	*
1.8 T (ARX)	Gasolina	FWD	1781	110	150 08.97-12.10	*
1.8 T (ARX)	Gasolina	FWD	1781	110	150 08.97-12.10	*
1.8 T (ARZ)	Gasolina	FWD	1781	110	150 08.97-12.10	*
1.8 T (ARZ)	Gasolina	FWD	1781	110	150 08.97-12.10	*

LISTA DE APLICACIONES - BUYERS GUIDE

1.8 T (AUM)		Gasolina	FWD	1781	110	150	08.97-12.10	*	
1.8 T (AUM)		Gasolina	FWD	1781	110	150	08.97-12.10	*	
1.8 T 4x4 (ARX)		Gasolina	4WD	1781	110	150	05.01-05.06	*	
1.8 T 4x4 (ARX)		Gasolina	4WD	1781	110	150	05.01-05.06	*	
1.9 TDI (ASZ)		Diesel	FWD	1896	96	130	09.02-09.04	*	
1.9 TDI (ASZ)		Diesel	FWD	1896	96	130	09.02-09.04	*	
OCTAVIA Combi (1U5) 07.98-12.10							[CAMBIADO]:Break (Compact car-C Segment)		
1.8 T (AGU)		Gasolina	FWD	1781	110	150	07.98-12.10	*	
1.8 T (AGU)		Gasolina	FWD	1781	110	150	07.98-12.10	*	
1.8 T (ARX)		Gasolina	FWD	1781	110	150	07.98-12.10	*	
1.8 T (ARX)		Gasolina	FWD	1781	110	150	07.98-12.10	*	
1.8 T (ARZ)		Gasolina	FWD	1781	110	150	07.98-12.10	*	
1.8 T (ARZ)		Gasolina	FWD	1781	110	150	07.98-12.10	*	
1.8 T (AUM)		Gasolina	FWD	1781	110	150	07.98-12.10	*	
1.8 T (AUM)		Gasolina	FWD	1781	110	150	07.98-12.10	*	
1.8 T 4x4 (ARX)		Gasolina	4WD	1781	110	150	05.01-05.06	*	
1.8 T 4x4 (ARX)		Gasolina	4WD	1781	110	150	05.01-05.06	*	
1.9 TDI (ASZ)		Diesel	FWD	1896	96	130	09.02-09.04	*	
1.9 TDI (ASZ)		Diesel	FWD	1896	96	130	09.02-09.04	*	
VW									
BORA / JETTA IV (1J2) 10.98-12.13							Sedán (Compact car-C Segment)		
2.0 (AEG)		Gasolina	FWD	1984	85	115	10.98-12.13	*	
2.0 (AEG)		Gasolina	FWD	1984	85	115	10.98-12.13	*	
2.0 (APK)		Gasolina	FWD	1984	85	115	10.98-12.13	*	
2.0 (APK)		Gasolina	FWD	1984	85	115	10.98-12.13	*	
2.0 (AQY)		Gasolina	FWD	1984	85	115	10.98-12.13	*	
2.0 (AQY)		Gasolina	FWD	1984	85	115	10.98-12.13	*	
2.0 (AVH)		Gasolina	FWD	1984	85	115	10.98-12.13	*	
2.0 (AVH)		Gasolina	FWD	1984	85	115	10.98-12.13	*	
2.0 (AZG)		Gasolina	FWD	1984	85	115	10.98-12.13	*	
2.0 (AZG)		Gasolina	FWD	1984	85	115	10.98-12.13	*	
2.0 (AZH)		Gasolina	FWD	1984	85	115	10.98-12.13	*	
2.0 (AZH)		Gasolina	FWD	1984	85	115	10.98-12.13	*	
2.0 (AZJ)		Gasolina	FWD	1984	85	115	10.98-12.13	*	
2.0 (AZJ)		Gasolina	FWD	1984	85	115	10.98-12.13	*	
2.0 (BBW)		Gasolina	FWD	1984	85	115	10.98-12.13	*	
2.0 (BBW)		Gasolina	FWD	1984	85	115	10.98-12.13	*	
2.0 (BER)		Gasolina	FWD	1984	85	115	10.98-12.13	*	
2.0 (BER)		Gasolina	FWD	1984	85	115	10.98-12.13	*	
2.0 (BEV)		Gasolina	FWD	1984	85	115	10.98-12.13	*	
2.0 (BEV)		Gasolina	FWD	1984	85	115	10.98-12.13	*	
2.0 (BHP)		Gasolina	FWD	1984	85	115	10.98-12.13	*	
2.0 (BHP)		Gasolina	FWD	1984	85	115	10.98-12.13	*	
2.0 (CBPA)		Gasolina	FWD	1984	85	115	10.98-12.13	*	
2.0 (CBPA)		Gasolina	FWD	1984	85	115	10.98-12.13	*	
2.0 (CFEA)		Gasolina	FWD	1984	85	115	10.98-12.13	*	
2.0 (CFEA)		Gasolina	FWD	1984	85	115	10.98-12.13	*	
2.0 4motion (AZH)		Gasolina	4WD	1984	85	115	04.00-05.05	*	
2.0 4motion (AZH)		Gasolina	4WD	1984	85	115	04.00-05.05	*	
2.0 4motion (AZJ)		Gasolina	4WD	1984	85	115	04.00-05.05	*	

LISTA DE APLICACIONES - BUYERS GUIDE

2.0 4motion (AZJ)		Gasolina	4WD	1984	85	115	04.00-05.05	*	
1.9 TDI 4motion (ASZ)		Diesel	4WD	1896	96	130	11.00-05.05	*	
1.9 TDI 4motion (ASZ)		Diesel	4WD	1896	96	130	11.00-05.05	*	
BORA Variant / JETTA IV (1J6) 05.99-05.05							[CAMBIADO]:Break (Compact car-C Segment)		
2.0 (APK)		Gasolina	FWD	1984	85	115	05.99-05.05	*	
2.0 (APK)		Gasolina	FWD	1984	85	115	05.99-05.05	*	
2.0 (AQY)		Gasolina	FWD	1984	85	115	05.99-05.05	*	
2.0 (AQY)		Gasolina	FWD	1984	85	115	05.99-05.05	*	
2.0 (AVH)		Gasolina	FWD	1984	85	115	05.99-05.05	*	
2.0 (AVH)		Gasolina	FWD	1984	85	115	05.99-05.05	*	
2.0 (AZG)		Gasolina	FWD	1984	85	115	05.99-05.05	*	
2.0 (AZG)		Gasolina	FWD	1984	85	115	05.99-05.05	*	
2.0 (AZH)		Gasolina	FWD	1984	85	115	05.99-05.05	*	
2.0 (AZH)		Gasolina	FWD	1984	85	115	05.99-05.05	*	
2.0 (AZJ)		Gasolina	FWD	1984	85	115	05.99-05.05	*	
2.0 (AZJ)		Gasolina	FWD	1984	85	115	05.99-05.05	*	
2.0 (BEV)		Gasolina	FWD	1984	85	115	05.99-05.05	*	
2.0 (BEV)		Gasolina	FWD	1984	85	115	05.99-05.05	*	
2.0 4motion (AZH)		Gasolina	4WD	1984	85	115	04.00-05.05	*	
2.0 4motion (AZH)		Gasolina	4WD	1984	85	115	04.00-05.05	*	
2.0 4motion (AZJ)		Gasolina	4WD	1984	85	115	04.00-05.05	*	
2.0 4motion (AZJ)		Gasolina	4WD	1984	85	115	04.00-05.05	*	
2.0 4motion (ATF)		Gasolina	4WD	1984	88	120	12.99-05.03	*	
2.0 4motion (ATF)		Gasolina	4WD	1984	88	120	12.99-05.03	*	
1.9 TDI (ASZ)		Diesel	FWD	1896	96	130	11.00-05.05	*	
1.9 TDI (ASZ)		Diesel	FWD	1896	96	130	11.00-05.05	*	
1.9 TDI 4motion (ASZ)		Diesel	4WD	1896	96	130	11.00-05.05	*	
1.9 TDI 4motion (ASZ)		Diesel	4WD	1896	96	130	11.00-05.05	*	
GOLF IV (1J1) 08.97-04.08							[CAMBIADO]:Fastback (Compact car-C Segment)		
1.8 T GTI (AGU)		Gasolina	FWD	1781	110	150	08.97-06.05	*	
1.8 T GTI (AGU)		Gasolina	FWD	1781	110	150	08.97-06.05	*	
1.8 T GTI (AQA)		Gasolina	FWD	1781	110	150	08.97-06.05	*	
1.8 T GTI (AQA)		Gasolina	FWD	1781	110	150	08.97-06.05	*	
1.8 T GTI (ARZ)		Gasolina	FWD	1781	110	150	08.97-06.05	*	
1.8 T GTI (ARZ)		Gasolina	FWD	1781	110	150	08.97-06.05	*	
1.8 T GTI (AUM)		Gasolina	FWD	1781	110	150	08.97-06.05	*	
1.8 T GTI (AUM)		Gasolina	FWD	1781	110	150	08.97-06.05	*	
1.8 T GTI (AWD)		Gasolina	FWD	1781	110	150	08.97-06.05	*	
1.8 T GTI (AWD)		Gasolina	FWD	1781	110	150	08.97-06.05	*	
1.8 T GTI (AWW)		Gasolina	FWD	1781	110	150	08.97-06.05	*	
1.8 T GTI (AWW)		Gasolina	FWD	1781	110	150	08.97-06.05	*	
GOLF IV Variant / JETTA IV (1J5) 05.99-06.06							[CAMBIADO]:Break (Compact car-C Segment)		
1.8 T (AGU)		Gasolina	FWD	1781	110	150	05.00-06.06	*	
1.8 T (AGU)		Gasolina	FWD	1781	110	150	05.00-06.06	*	
1.8 T (ARZ)		Gasolina	FWD	1781	110	150	05.00-06.06	*	
1.8 T (ARZ)		Gasolina	FWD	1781	110	150	05.00-06.06	*	
1.8 T (AUM)		Gasolina	FWD	1781	110	150	05.00-06.06	*	
1.8 T (AUM)		Gasolina	FWD	1781	110	150	05.00-06.06	*	
1.9 TDI (ARL)		Diesel	FWD	1896	110	150	06.01-06.06	*	
1.9 TDI (ARL)		Diesel	FWD	1896	110	150	06.01-06.06	*	

LISTA DE APLICACIONES - BUYERS GUIDE

NEW BEETLE / BETTLE (1Y7) 09.02-07.12					Cabrio (Compact car-C Segment)			
1.8 T (AWU)		Gasolina	FWD	1781	110	150	01.03-09.10	*
1.8 T (AWU)		Gasolina	FWD	1781	110	150	01.03-09.10	*
1.8 T (AWV)		Gasolina	FWD	1781	110	150	01.03-09.10	*
1.8 T (AWV)		Gasolina	FWD	1781	110	150	01.03-09.10	*
1.8 T (BKF)		Gasolina	FWD	1781	110	150	01.03-09.10	*
1.8 T (BKF)		Gasolina	FWD	1781	110	150	01.03-09.10	*
NEW BEETLE / BETTLE / NOVO FUSCA (9C1, 1C1) 01.98-12.13					[CAMBIADO]:Fastback (Compact car-C Segment)			
1.8 T (AGU)		Gasolina	FWD	1781	110	150	10.99-09.10	*
1.8 T (AGU)		Gasolina	FWD	1781	110	150	10.99-09.10	*
1.8 T (APH)		Gasolina	FWD	1781	110	150	10.99-09.10	*
1.8 T (APH)		Gasolina	FWD	1781	110	150	10.99-09.10	*
1.8 T (AVC)		Gasolina	FWD	1781	110	150	10.99-09.10	*
1.8 T (AVC)		Gasolina	FWD	1781	110	150	10.99-09.10	*
1.8 T (AWU)		Gasolina	FWD	1781	110	150	10.99-09.10	*
1.8 T (AWU)		Gasolina	FWD	1781	110	150	10.99-09.10	*
1.8 T (AWV)		Gasolina	FWD	1781	110	150	10.99-09.10	*
1.8 T (AWV)		Gasolina	FWD	1781	110	150	10.99-09.10	*
1.8 T (BKF)		Gasolina	FWD	1781	110	150	10.99-09.10	*
1.8 T (BKF)		Gasolina	FWD	1781	110	150	10.99-09.10	*