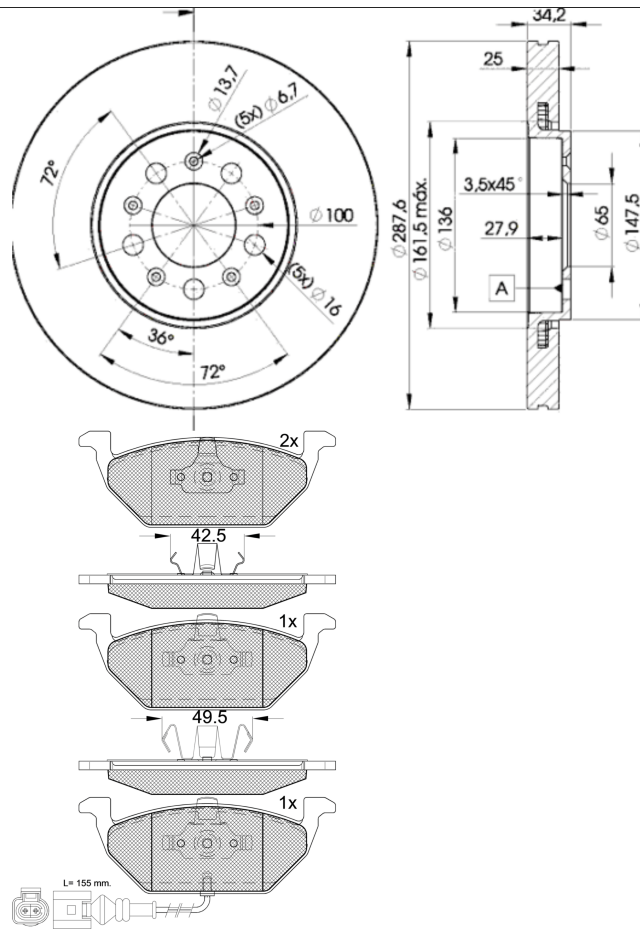


LISTA DE APLICACIONES - BUYERS GUIDE

3R13495604

Weight: 17.240



3R13495604



Ate - Teves

146x54.7x19.6
Ø287.6x25x34.2

WVA
23131
Sin Filas



Trac.	CC	Kw	CV
-------	----	----	----



Front / Rear

AUDI

A3 (8L1) 09.96-09.06

[CAMBIADO]:Fastback (Compact executive car-D Segment)

Modelo	Motor	Tracción	CC	Kw	CV	Fecha	Nota
1.8 T (AGU)	Gasolina	FWD	1781	110	150	12.96-05.03	*
1.8 T (AGU)	Gasolina	FWD	1781	110	150	12.96-05.03	*
1.8 T (AQA)	Gasolina	FWD	1781	110	150	12.96-05.03	*
1.8 T (AQA)	Gasolina	FWD	1781	110	150	12.96-05.03	*
1.8 T (ARZ)	Gasolina	FWD	1781	110	150	12.96-05.03	*
1.8 T (ARZ)	Gasolina	FWD	1781	110	150	12.96-05.03	*
1.8 T (AUM)	Gasolina	FWD	1781	110	150	12.96-05.03	*
1.8 T (AUM)	Gasolina	FWD	1781	110	150	12.96-05.03	*
1.8 T (AJQ)	Gasolina	FWD	1781	132	180	12.98-05.03	*
1.8 T (AJQ)	Gasolina	FWD	1781	132	180	12.98-05.03	*
1.8 T (APP)	Gasolina	FWD	1781	132	180	12.98-05.03	*
1.8 T (APP)	Gasolina	FWD	1781	132	180	12.98-05.03	*
1.8 T (ARY)	Gasolina	FWD	1781	132	180	12.98-05.03	*
1.8 T (ARY)	Gasolina	FWD	1781	132	180	12.98-05.03	*
1.8 T (AUQ)	Gasolina	FWD	1781	132	180	12.98-05.03	*
1.8 T (AUQ)	Gasolina	FWD	1781	132	180	12.98-05.03	*
1.9 TDI (ATD)	Diesel	FWD	1896	74	100	10.00-05.03	*
1.9 TDI (ATD)	Diesel	FWD	1896	74	100	10.00-05.03	*
1.9 TDI (AXR)	Diesel	FWD	1896	74	100	10.00-05.03	*
1.9 TDI (AXR)	Diesel	FWD	1896	74	100	10.00-05.03	*
1.9 TDI (AHF)	Diesel	FWD	1896	81	110	08.97-07.01	*
1.9 TDI (AHF)	Diesel	FWD	1896	81	110	08.97-07.01	*
1.9 TDI (ASV)	Diesel	FWD	1896	81	110	08.97-07.01	*

LISTA DE APLICACIONES - BUYERS GUIDE

1.9 TDI (ASV)		Diesel	FWD	1896	81	110	08.97-07.01	*
1.9 TDI (ASZ)		Diesel	FWD	1896	96	130	08.00-05.03	*
1.9 TDI (ASZ)		Diesel	FWD	1896	96	130	08.00-05.03	*
1.9 TDI quattro (ASZ)		Diesel	4WD	1896	96	130	08.00-05.03	*
1.9 TDI quattro (ASZ)		Diesel	4WD	1896	96	130	08.00-05.03	*

SKODA

FABIA II (542) 12.06-12.14				[CAMBIADO]:Fastback (Compact car-C Segment)				
1.4 (BXW)		Gasolina	FWD	1390	63	86	01.07-12.14	*
1.4 (BXW)		Gasolina	FWD	1390	63	86	01.07-12.14	*
1.4 (CGGB)		Gasolina	FWD	1390	63	86	01.07-12.14	*
1.4 (CGGB)		Gasolina	FWD	1390	63	86	01.07-12.14	*
1.6 (BTS)		Gasolina	FWD	1598	77	105	04.07-12.14	*
1.6 (BTS)		Gasolina	FWD	1598	77	105	04.07-12.14	*
1.6 (CFNA)		Gasolina	FWD	1598	77	105	04.07-12.14	*
1.6 (CFNA)		Gasolina	FWD	1598	77	105	04.07-12.14	*
1.6 (CLSA)		Gasolina	FWD	1598	77	105	04.07-12.14	*
1.6 (CLSA)		Gasolina	FWD	1598	77	105	04.07-12.14	*
1.4 TDI (BMS)		Diesel	FWD	1422	59	80	01.07-03.10	*
1.4 TDI (BMS)		Diesel	FWD	1422	59	80	01.07-03.10	*
1.4 TDI (BNV)		Diesel	FWD	1422	59	80	01.07-03.10	*
1.4 TDI (BNV)		Diesel	FWD	1422	59	80	01.07-03.10	*
1.9 TDI (BLS)		Diesel	FWD	1896	77	105	04.07-03.10	*
1.9 TDI (BLS)		Diesel	FWD	1896	77	105	04.07-03.10	*
1.9 TDI (BSW)		Diesel	FWD	1896	77	105	04.07-03.10	*
1.9 TDI (BSW)		Diesel	FWD	1896	77	105	04.07-03.10	*

FABIA II Combi (545) 10.07-12.14				[CAMBIADO]:Break (Compact car-C Segment)				
1.4 (BXW)		Gasolina	FWD	1390	63	86	10.07-12.14	*
1.4 (BXW)		Gasolina	FWD	1390	63	86	10.07-12.14	*
1.4 (CGGB)		Gasolina	FWD	1390	63	86	10.07-12.14	*
1.4 (CGGB)		Gasolina	FWD	1390	63	86	10.07-12.14	*
1.6 (BTS)		Gasolina	FWD	1598	77	105	10.07-12.14	*
1.6 (BTS)		Gasolina	FWD	1598	77	105	10.07-12.14	*
1.6 (CFNA)		Gasolina	FWD	1598	77	105	10.07-12.14	*
1.6 (CFNA)		Gasolina	FWD	1598	77	105	10.07-12.14	*
1.4 TDI (BMS)		Diesel	FWD	1422	59	80	10.07-03.10	*
1.4 TDI (BMS)		Diesel	FWD	1422	59	80	10.07-03.10	*
1.4 TDI (BNV)		Diesel	FWD	1422	59	80	10.07-03.10	*
1.4 TDI (BNV)		Diesel	FWD	1422	59	80	10.07-03.10	*
1.9 TDI (BLS)		Diesel	FWD	1896	77	105	10.07-03.10	*
1.9 TDI (BLS)		Diesel	FWD	1896	77	105	10.07-03.10	*
1.9 TDI (BSW)		Diesel	FWD	1896	77	105	10.07-03.10	*
1.9 TDI (BSW)		Diesel	FWD	1896	77	105	10.07-03.10	*

OCTAVIA (1U2) 09.96-12.10				[CAMBIADO]:Fastback (Compact car-C Segment)				
1.9 TDI (AXR)		Diesel	FWD	1896	74	100	10.05-12.10	*
1.9 TDI (AXR)		Diesel	FWD	1896	74	100	10.05-12.10	*
1.9 TDI (AHF)		Diesel	FWD	1896	81	110	08.97-01.06	*
1.9 TDI (AHF)		Diesel	FWD	1896	81	110	08.97-01.06	*
1.9 TDI (ASV)		Diesel	FWD	1896	81	110	08.97-01.06	*
1.9 TDI (ASV)		Diesel	FWD	1896	81	110	08.97-01.06	*
1.9 TDI (ASZ)		Diesel	FWD	1896	96	130	09.02-09.04	*

LISTA DE APLICACIONES - BUYERS GUIDE

1.9 TDI (ASZ)		Diesel	FWD	1896	96	130	09.02-09.04	*
OCTAVIA Combi (1U5) 07.98-12.10				[CAMBIADO]:Break (Compact car-C Segment)				
2.0 (AEG)		Gasolina	FWD	1984	85	116	04.99-05.07	*
2.0 (AEG)		Gasolina	FWD	1984	85	116	04.99-05.07	*
2.0 (APK)		Gasolina	FWD	1984	85	116	04.99-05.07	*
2.0 (APK)		Gasolina	FWD	1984	85	116	04.99-05.07	*
2.0 (AQY)		Gasolina	FWD	1984	85	116	04.99-05.07	*
2.0 (AQY)		Gasolina	FWD	1984	85	116	04.99-05.07	*
2.0 (AZH)		Gasolina	FWD	1984	85	116	04.99-05.07	*
2.0 (AZH)		Gasolina	FWD	1984	85	116	04.99-05.07	*
2.0 (AZJ)		Gasolina	FWD	1984	85	116	04.99-05.07	*
2.0 (AZJ)		Gasolina	FWD	1984	85	116	04.99-05.07	*
2.0 4x4 (AZH)		Gasolina	4WD	1984	85	116	08.00-09.04	*
2.0 4x4 (AZH)		Gasolina	4WD	1984	85	116	08.00-09.04	*
2.0 4x4 (AZJ)		Gasolina	4WD	1984	85	116	08.00-09.04	*
2.0 4x4 (AZJ)		Gasolina	4WD	1984	85	116	08.00-09.04	*
2.0 4x4 (ATF)		Gasolina	4WD	1984	88	120	01.00-12.10	*
2.0 4x4 (ATF)		Gasolina	4WD	1984	88	120	01.00-12.10	*
1.9 TDI (AHF)		Diesel	FWD	1896	81	110	07.98-01.06	*
1.9 TDI (AHF)		Diesel	FWD	1896	81	110	07.98-01.06	*
1.9 TDI (ASV)		Diesel	FWD	1896	81	110	07.98-01.06	*
1.9 TDI (ASV)		Diesel	FWD	1896	81	110	07.98-01.06	*
1.9 TDI (ASZ)		Diesel	FWD	1896	96	130	09.02-09.04	*
1.9 TDI (ASZ)		Diesel	FWD	1896	96	130	09.02-09.04	*
ROOMSTER / PRAKTIK (5J) 03.07-05.15				[CAMBIADO]:Furgón/Break (Large MPV-M1 Segment)				
1.4 TDI (BMS)		Diesel	FWD	1422	59	80	03.07-03.10	*
1.4 TDI (BMS)		Diesel	FWD	1422	59	80	03.07-03.10	*
1.4 TDI (BNV)		Diesel	FWD	1422	59	80	03.07-03.10	*
1.4 TDI (BNV)		Diesel	FWD	1422	59	80	03.07-03.10	*
ROOMSTER / PRAKTIK (5J7) 03.06-05.15				MPV (Large MPV-M1 Segment)				
1.2 (BZG)		Gasolina	FWD	1198	51	70	01.07-05.15	*
1.2 (BZG)		Gasolina	FWD	1198	51	70	01.07-05.15	*
1.2 (CGPA)		Gasolina	FWD	1198	51	70	01.07-05.15	*
1.2 (CGPA)		Gasolina	FWD	1198	51	70	01.07-05.15	*
1.4 (BXW)		Gasolina	FWD	1390	63	86	09.06-05.15	*
1.4 (BXW)		Gasolina	FWD	1390	63	86	09.06-05.15	*
1.4 (CGGB)		Gasolina	FWD	1390	63	86	09.06-05.15	*
1.4 (CGGB)		Gasolina	FWD	1390	63	86	09.06-05.15	*
1.6 (BTS)		Gasolina	FWD	1598	77	105	09.06-05.15	*
1.6 (BTS)		Gasolina	FWD	1598	77	105	09.06-05.15	*
1.6 (CFNA)		Gasolina	FWD	1598	77	105	09.06-05.15	*
1.6 (CFNA)		Gasolina	FWD	1598	77	105	09.06-05.15	*
1.4 TDI (BNM)		Diesel	FWD	1422	51	70	07.06-03.10	*
1.4 TDI (BNM)		Diesel	FWD	1422	51	70	07.06-03.10	*
1.4 TDI (BMS)		Diesel	FWD	1422	59	80	09.06-03.10	*
1.4 TDI (BMS)		Diesel	FWD	1422	59	80	09.06-03.10	*
1.4 TDI (BNV)		Diesel	FWD	1422	59	80	09.06-03.10	*
1.4 TDI (BNV)		Diesel	FWD	1422	59	80	09.06-03.10	*
1.9 TDI (BLS)		Diesel	FWD	1896	77	105	09.06-03.10	*
1.9 TDI (BLS)		Diesel	FWD	1896	77	105	09.06-03.10	*

LISTA DE APLICACIONES - BUYERS GUIDE

1.9 TDI (BSW)		Diesel	FWD	1896	77	105	09.06-03.10	*
1.9 TDI (BSW)		Diesel	FWD	1896	77	105	09.06-03.10	*
VW								
BORA / JETTA IV (1J2) 10.98-12.13					Sedán (Compact car-C Segment)			
1.8		Gasolina	FWD	1781	110	150	10.00-05.01	*
1.8		Gasolina	FWD	1781	110	150	10.00-05.01	*
1.8 T (AGU)		Gasolina	FWD	1781	110	150	05.00-05.05	*
1.8 T (AGU)		Gasolina	FWD	1781	110	150	05.00-05.05	*
1.8 T (ARX)		Gasolina	FWD	1781	110	150	05.00-05.05	*
1.8 T (ARX)		Gasolina	FWD	1781	110	150	05.00-05.05	*
1.8 T (AUM)		Gasolina	FWD	1781	110	150	05.00-05.05	*
1.8 T (AUM)		Gasolina	FWD	1781	110	150	05.00-05.05	*
1.8 T (AWD)		Gasolina	FWD	1781	110	150	05.00-05.05	*
1.8 T (AWD)		Gasolina	FWD	1781	110	150	05.00-05.05	*
1.8 T (AWW)		Gasolina	FWD	1781	110	150	05.00-05.05	*
1.8 T (AWW)		Gasolina	FWD	1781	110	150	05.00-05.05	*
BORA Variant / JETTA IV (1J6) 05.99-05.05					[CAMBIADO]:Break (Compact car-C Segment)			
1.8 T (AGU)		Gasolina	FWD	1781	110	150	05.00-05.05	*
1.8 T (AGU)		Gasolina	FWD	1781	110	150	05.00-05.05	*
1.8 T (ARX)		Gasolina	FWD	1781	110	150	05.00-05.05	*
1.8 T (ARX)		Gasolina	FWD	1781	110	150	05.00-05.05	*
1.8 T (AUM)		Gasolina	FWD	1781	110	150	05.00-05.05	*
1.8 T (AUM)		Gasolina	FWD	1781	110	150	05.00-05.05	*
1.8 T (AWD)		Gasolina	FWD	1781	110	150	05.00-05.05	*
1.8 T (AWD)		Gasolina	FWD	1781	110	150	05.00-05.05	*
1.8 T (AWW)		Gasolina	FWD	1781	110	150	05.00-05.05	*
1.8 T (AWW)		Gasolina	FWD	1781	110	150	05.00-05.05	*
NEW BEETLE / BETTLE (1Y7) 09.02-07.12					Cabrio (Compact car-C Segment)			
1.8 T (AWU)		Gasolina	FWD	1781	110	150	01.03-09.10	*
1.8 T (AWU)		Gasolina	FWD	1781	110	150	01.03-09.10	*
1.8 T (AWV)		Gasolina	FWD	1781	110	150	01.03-09.10	*
1.8 T (AWV)		Gasolina	FWD	1781	110	150	01.03-09.10	*
1.8 T (BKF)		Gasolina	FWD	1781	110	150	01.03-09.10	*
1.8 T (BKF)		Gasolina	FWD	1781	110	150	01.03-09.10	*
NEW BEETLE / BETTLE / NOVO FUSCA (9C1, 1C1) 01.98-12.13					[CAMBIADO]:Fastback (Compact car-C Segment)			
1.8 T (AGU)		Gasolina	FWD	1781	110	150	10.99-09.10	*
1.8 T (AGU)		Gasolina	FWD	1781	110	150	10.99-09.10	*
1.8 T (APH)		Gasolina	FWD	1781	110	150	10.99-09.10	*
1.8 T (APH)		Gasolina	FWD	1781	110	150	10.99-09.10	*
1.8 T (AVC)		Gasolina	FWD	1781	110	150	10.99-09.10	*
1.8 T (AVC)		Gasolina	FWD	1781	110	150	10.99-09.10	*
1.8 T (AWU)		Gasolina	FWD	1781	110	150	10.99-09.10	*
1.8 T (AWU)		Gasolina	FWD	1781	110	150	10.99-09.10	*
1.8 T (AWV)		Gasolina	FWD	1781	110	150	10.99-09.10	*
1.8 T (AWV)		Gasolina	FWD	1781	110	150	10.99-09.10	*
1.8 T (BKF)		Gasolina	FWD	1781	110	150	10.99-09.10	*
1.8 T (BKF)		Gasolina	FWD	1781	110	150	10.99-09.10	*