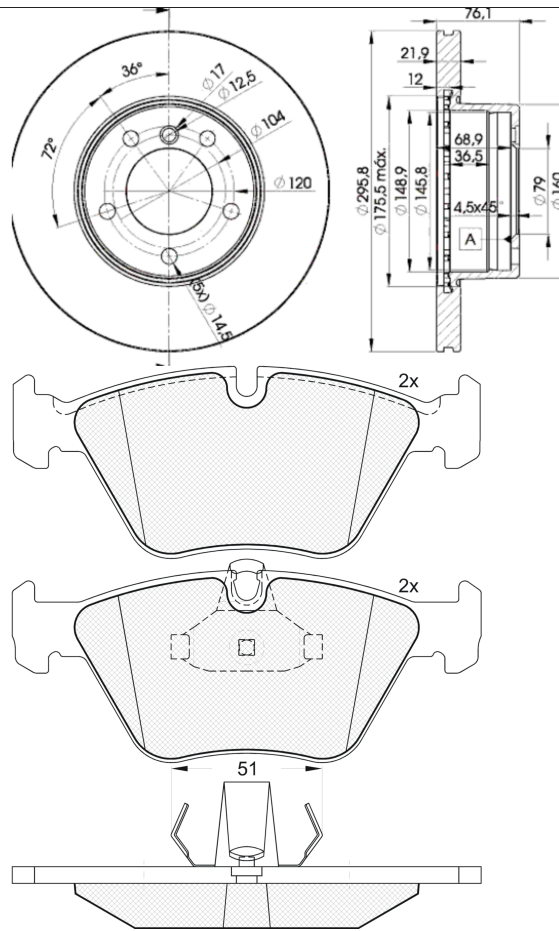


LISTA DE APLICACIONES - BUYERS GUIDE

3R12964839

Weight: 18.081



3R12964839



Ate - Teves

154.6x63.6x20.3
Ø296x22x76

WVA
21677
21990

Sin Filas



Trac.	CC	Kw	CV
-------	----	----	----



Front / Rear

BMW

5 Serie IV (E39) 09.95-12.03

Sedán (Executive car-E Segment)

Modelo	Trac.	CC	Kw	CV	Período	Opciones
520 i (M52 B20 (206S3))	RWD	1990	100	136	01.96-06.03	*
520 i (M52 B20 (206S3))	RWD	1990	100	136	01.96-06.03	*
520 i (M52 B20 (206S4))	RWD	1990	100	136	01.96-06.03	*
520 i (M52 B20 (206S4))	RWD	1990	100	136	01.96-06.03	*
520 i (M52 B20 (206S3))	RWD	1990	110	150	01.96-06.03	*
520 i (M52 B20 (206S3))	RWD	1990	110	150	01.96-06.03	*
520 i (M52 B20 (206S4))	RWD	1990	110	150	01.96-06.03	*
520 i (M52 B20 (206S4))	RWD	1990	110	150	01.96-06.03	*
523 i (M52 B25 (256S3))	RWD	2494	125	170	09.95-08.00	*
523 i (M52 B25 (256S3))	RWD	2494	125	170	09.95-08.00	*
523 i (M52 B25 (256S4))	RWD	2494	125	170	09.95-08.00	*
523 i (M52 B25 (256S4))	RWD	2494	125	170	09.95-08.00	*
525 i (M54 B25 (256S5))	RWD	2494	141	192	09.00-06.03	*
525 i (M54 B25 (256S5))	RWD	2494	141	192	09.00-06.03	*
528i (M52 B28 (286S1))	RWD	2793	142	193	09.95-08.00	*
528i (M52 B28 (286S1))	RWD	2793	142	193	09.95-08.00	*
528i (M52 B28 (286S2))	RWD	2793	142	193	09.95-08.00	*
528i (M52 B28 (286S2))	RWD	2793	142	193	09.95-08.00	*
535i (M62 B35 (358S1))	RWD	3498	173	235	06.96-08.98	*
535i (M62 B35 (358S1))	RWD	3498	173	235	06.96-08.98	*
525 td (M51 D25 (256T1))	RWD	2497	85	116	01.97-06.03	*
525 td (M51 D25 (256T1))	RWD	2497	85	116	01.97-06.03	*
525 tds (M51 D25 (256T1))	RWD	2497	105	143	01.96-06.03	*

LISTA DE APLICACIONES - BUYERS GUIDE

525 tds (M51 D25 (256T1))		Diesel	RWD	2497	105	143	01.96-06.03	*	
525 d (M57 D25 (256D1))		Diesel	RWD	2497	120	163	02.00-06.03	*	
525 d (M57 D25 (256D1))		Diesel	RWD	2497	120	163	02.00-06.03	*	
530 d (M57 D30 (306D1))		Diesel	RWD	2926	135	184	08.98-09.00	*	
530 d (M57 D30 (306D1))		Diesel	RWD	2926	135	184	08.98-09.00	*	
5 Serie IV Touring (E39) 09.96-06.04							[CAMBIADO]:Break (Executive car-E Segment)		
520 i (M52 B20 (206S3))		Gasolina	RWD	1990	100	136	03.97-08.01	*	
520 i (M52 B20 (206S3))		Gasolina	RWD	1990	100	136	03.97-08.01	*	
520 i (M52 B20 (206S4))		Gasolina	RWD	1990	100	136	03.97-08.01	*	
520 i (M52 B20 (206S4))		Gasolina	RWD	1990	100	136	03.97-08.01	*	
520 i (M52 B20 (206S3))		Gasolina	RWD	1990	110	150	03.97-08.01	*	
520 i (M52 B20 (206S3))		Gasolina	RWD	1990	110	150	03.97-08.01	*	
520 i (M52 B20 (206S4))		Gasolina	RWD	1990	110	150	03.97-08.01	*	
520 i (M52 B20 (206S4))		Gasolina	RWD	1990	110	150	03.97-08.01	*	
523 i (M52 B25 (256S3))		Gasolina	RWD	2494	125	170	03.97-08.00	*	
523 i (M52 B25 (256S3))		Gasolina	RWD	2494	125	170	03.97-08.00	*	
523 i (M52 B25 (256S4))		Gasolina	RWD	2494	125	170	03.97-08.00	*	
523 i (M52 B25 (256S4))		Gasolina	RWD	2494	125	170	03.97-08.00	*	
525 i (M54 B25 (256S5))		Gasolina	RWD	2494	141	192	09.00-05.04	*	
525 i (M54 B25 (256S5))		Gasolina	RWD	2494	141	192	09.00-05.04	*	
528i (M52 B28 (286S1))		Gasolina	RWD	2793	142	193	11.96-08.00	*	
528i (M52 B28 (286S1))		Gasolina	RWD	2793	142	193	11.96-08.00	*	
528i (M52 B28 (286S2))		Gasolina	RWD	2793	142	193	11.96-08.00	*	
528i (M52 B28 (286S2))		Gasolina	RWD	2793	142	193	11.96-08.00	*	
525 tds (M51 D25 (256T1))		Diesel	RWD	2497	105	143	03.97-05.04	*	
525 tds (M51 D25 (256T1))		Diesel	RWD	2497	105	143	03.97-05.04	*	
525 d (M57 D25 (256D1))		Diesel	RWD	2497	120	163	02.00-05.04	*	
525 d (M57 D25 (256D1))		Diesel	RWD	2497	120	163	02.00-05.04	*	
530 d (M57 D30 (306D1))		Diesel	RWD	2926	135	184	08.98-09.00	*	
530 d (M57 D30 (306D1))		Diesel	RWD	2926	135	184	08.98-09.00	*	