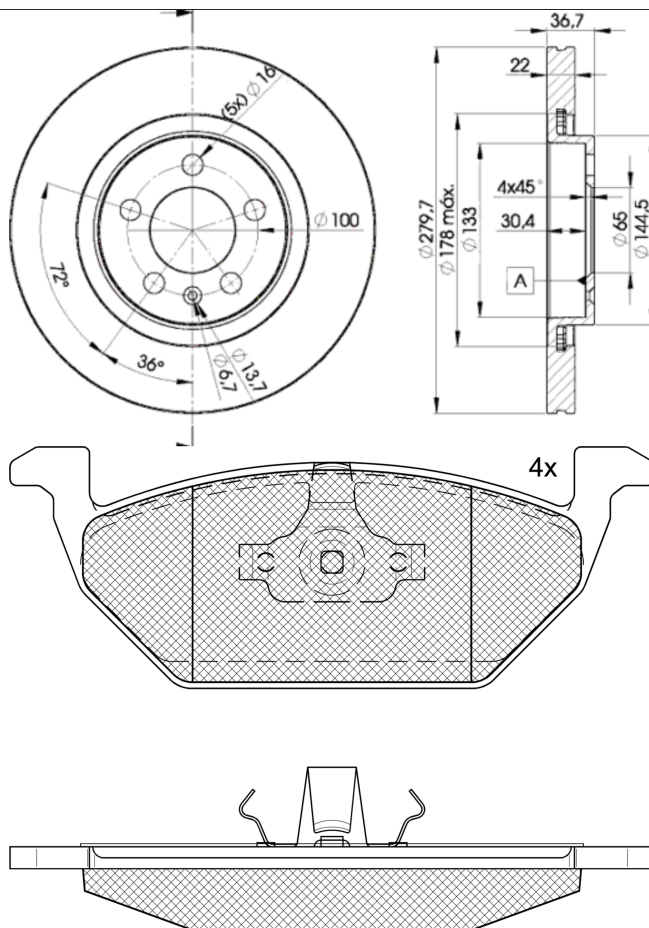


LISTA DE APLICACIONES - BUYERS GUIDE

3R11845603

Weight: 13.946



3R11845603



Ate - Teves

146x54.7x19.5

Ø280x22x36.5

WVA

23130

Sin Filas



Trac.	CC	Kw	CV
-------	----	----	----



Front / Rear

SEAT

TOLEDO II (1M2) 10.98-05.06

Sedán (Compact car-C Segment)

Model	Trac.	CC	Kw	CV	Year Range	Notes
1.9 SDI	Diesel	RWD	1896	50	68	11.99-06.04 *
1.9 SDI	Diesel	RWD	1896	50	68	11.99-06.04 *
1.9 TDI (AGR)	Diesel	FWD	1896	66	90	03.99-07.04 *
1.9 TDI (AGR)	Diesel	FWD	1896	66	90	03.99-07.04 *
1.9 TDI (ALH)	Diesel	FWD	1896	66	90	03.99-07.04 *
1.9 TDI (ALH)	Diesel	FWD	1896	66	90	03.99-07.04 *
1.9 TDI (AHF)	Diesel	FWD	1896	81	110	10.98-07.04 *
1.9 TDI (AHF)	Diesel	FWD	1896	81	110	10.98-07.04 *
1.9 TDI (ASV)	Diesel	FWD	1896	81	110	10.98-07.04 *
1.9 TDI (ASV)	Diesel	FWD	1896	81	110	10.98-07.04 *

SKODA

OCTAVIA (1U2) 09.96-12.10

[CAMBIADO]:Fastback (Compact car-C Segment)

Model	Trac.	CC	Kw	CV	Year Range	Notes
1.4 (AMD)	Gasolina	FWD	1397	44	60	04.99-03.01 *
1.4 (AMD)	Gasolina	FWD	1397	44	60	04.99-03.01 *
1.6 (AEH)	Gasolina	FWD	1595	74	101	02.97-12.07 *
1.6 (AEH)	Gasolina	FWD	1595	74	101	02.97-12.07 *
1.6 (AKL)	Gasolina	FWD	1595	74	101	02.97-12.07 *
1.6 (AKL)	Gasolina	FWD	1595	74	101	02.97-12.07 *
1.6 (AEE)	Gasolina	FWD	1598	55	75	09.96-09.04 *
1.6 (AEE)	Gasolina	FWD	1598	55	75	09.96-09.04 *

OCTAVIA Combi (1U5) 07.98-12.10

[CAMBIADO]:Break (Compact car-C Segment)

1.6 (AEH)	Gasolina	FWD	1595	74	101	07.98-12.07 *
-----------	----------	-----	------	----	-----	---------------

LISTA DE APLICACIONES - BUYERS GUIDE

1.6 (AEH)		Gasolina	FWD	1595	74	101	07.98-12.07	*
1.6 (AKL)		Gasolina	FWD	1595	74	101	07.98-12.07	*
1.6 (AKL)		Gasolina	FWD	1595	74	101	07.98-12.07	*
1.6 (AEE)		Gasolina	FWD	1598	55	75	07.98-09.04	*
1.6 (AEE)		Gasolina	FWD	1598	55	75	07.98-09.04	*

VW

BORA / JETTA IV (1J2) 10.98-12.13

Sedán (Compact car-C Segment)

1.6 (AEH)		Gasolina	FWD	1595	74	101	10.98-05.05	*
1.6 (AEH)		Gasolina	FWD	1595	74	101	10.98-05.05	*
1.6 (AKL)		Gasolina	FWD	1595	74	101	10.98-05.05	*
1.6 (AKL)		Gasolina	FWD	1595	74	101	10.98-05.05	*
1.6 (APF)		Gasolina	FWD	1595	74	101	10.98-05.05	*
1.6 (APF)		Gasolina	FWD	1595	74	101	10.98-05.05	*
1.9 SDI (AGP)		Diesel	FWD	1896	50	68	10.98-05.05	*
1.9 SDI (AGP)		Diesel	FWD	1896	50	68	10.98-05.05	*
1.9 SDI (AQM)		Diesel	FWD	1896	50	68	10.98-05.05	*
1.9 SDI (AQM)		Diesel	FWD	1896	50	68	10.98-05.05	*

BORA Variant / JETTA IV (1J6) 05.99-05.05

[CAMBIADO]:Break (Compact car-C Segment)

1.6 (AEH)		Gasolina	FWD	1595	74	100	05.99-05.05	*
1.6 (AEH)		Gasolina	FWD	1595	74	100	05.99-05.05	*
1.6 (AKL)		Gasolina	FWD	1595	74	100	05.99-05.05	*
1.6 (AKL)		Gasolina	FWD	1595	74	100	05.99-05.05	*
1.6 (APF)		Gasolina	FWD	1595	74	100	05.99-05.05	*
1.6 (APF)		Gasolina	FWD	1595	74	100	05.99-05.05	*

GOLF IV (1J1) 08.97-04.08

[CAMBIADO]:Fastback (Compact car-C Segment)

1.0		Gasolina	FWD	998	51	69	08.97-05.02	*
1.0		Gasolina	FWD	998	51	69	08.97-05.02	*
1.0 Turbo		Gasolina	FWD	998	82	111	08.97-05.02	*
1.0 Turbo		Gasolina	FWD	998	82	111	08.97-05.02	*
1.4 16V (AHW)		Gasolina	FWD	1390	55	75	10.97-05.04	*
1.4 16V (AHW)		Gasolina	FWD	1390	55	75	10.97-05.04	*
1.4 16V (AKQ)		Gasolina	FWD	1390	55	75	10.97-05.04	*
1.4 16V (AKQ)		Gasolina	FWD	1390	55	75	10.97-05.04	*
1.4 16V (APE)		Gasolina	FWD	1390	55	75	10.97-05.04	*
1.4 16V (APE)		Gasolina	FWD	1390	55	75	10.97-05.04	*
1.4 16V (AXP)		Gasolina	FWD	1390	55	75	10.97-05.04	*
1.4 16V (AXP)		Gasolina	FWD	1390	55	75	10.97-05.04	*
1.4 16V (BCA)		Gasolina	FWD	1390	55	75	10.97-05.04	*
1.4 16V (BCA)		Gasolina	FWD	1390	55	75	10.97-05.04	*
1.6 (AEH)		Gasolina	FWD	1595	74	100	08.97-05.04	*
1.6 (AEH)		Gasolina	FWD	1595	74	100	08.97-05.04	*
1.6 (AKL)		Gasolina	FWD	1595	74	100	08.97-05.04	*
1.6 (AKL)		Gasolina	FWD	1595	74	100	08.97-05.04	*
1.6 (APF)		Gasolina	FWD	1595	74	100	08.97-05.04	*
1.6 (APF)		Gasolina	FWD	1595	74	100	08.97-05.04	*
1.0		Gasol./el éc.	FWD	998	43	58	08.98-05.02	*
1.0		Gasol./el éc.	FWD	998	43	58	08.98-05.02	*
1.9 SDI (AGP)		Diesel	FWD	1896	50	68	08.97-06.05	*
1.9 SDI (AGP)		Diesel	FWD	1896	50	68	08.97-06.05	*

LISTA DE APLICACIONES - BUYERS GUIDE

1.9 SDI (AQM)		Diesel	FWD	1896	50	68	08.97-06.05	*
1.9 SDI (AQM)		Diesel	FWD	1896	50	68	08.97-06.05	*