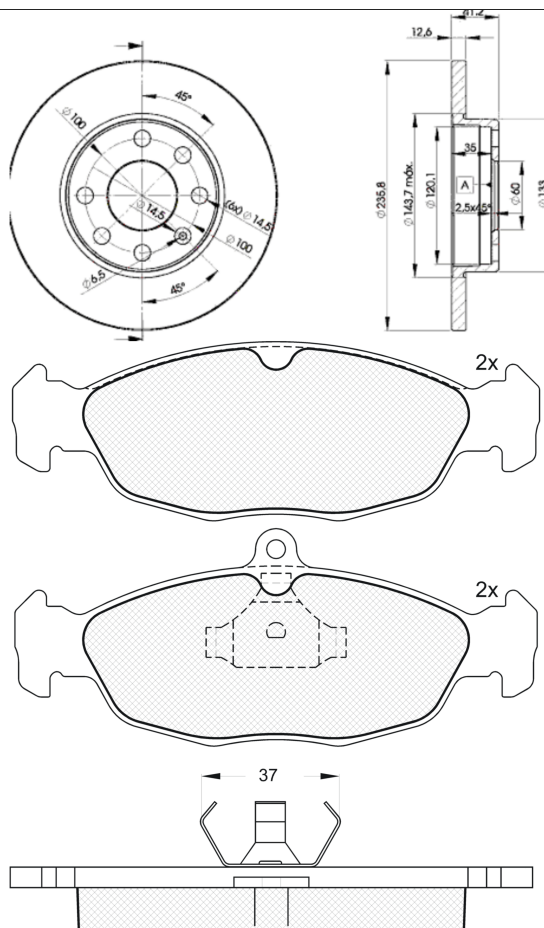


LISTA DE APLICACIONES - BUYERS GUIDE

3R08581240

Weight: 9.400



3R08581240



Ate - Teves

140.1x58.3x16.8
Ø236x12.5x41

WVA
20547

Sin Filas



Trac.	CC	Kw	CV
-------	----	----	----



Front / Rear

OPEL

ASTRA F (T92) 09.91-01.01						[CAMBIADO]:Break (Compact car-C Segment)			
1.4 i (F35, M35) (C 14 NZ)		Gasolina	FWD	1389	44	60	09.91-01.98	*	
1.4 i (F35, M35) (C 14 NZ)		Gasolina	FWD	1389	44	60	09.91-01.98	*	
1.4 i (F35, M35) (X 14 NZ)		Gasolina	FWD	1389	44	60	09.91-01.98	*	
1.4 i (F35, M35) (X 14 NZ)		Gasolina	FWD	1389	44	60	09.91-01.98	*	
ASTRA F (T92) 09.91-10.00						[CAMBIADO]:Fastback (Compact car-C Segment)			
1.4 i (F08, M08, F68, M68) (C 14 NZ)		Gasolina	FWD	1389	44	60	09.91-01.98	*	
1.4 i (F08, M08, F68, M68) (C 14 NZ)		Gasolina	FWD	1389	44	60	09.91-01.98	*	
1.4 i (F08, M08, F68, M68) (X 14 NZ)		Gasolina	FWD	1389	44	60	09.91-01.98	*	
1.4 i (F08, M08, F68, M68) (X 14 NZ)		Gasolina	FWD	1389	44	60	09.91-01.98	*	
1.4 (F08, M08, F68, M68) (14 NV)		Gasolina	FWD	1389	55	75	09.91-09.93	*	
1.4 (F08, M08, F68, M68) (14 NV)		Gasolina	FWD	1389	55	75	09.91-09.93	*	
1.4 (F08, M08, F68, M68) (14 SE)		Gasolina	FWD	1389	60	82	09.92-01.98	*	
1.4 (F08, M08, F68, M68) (14 SE)		Gasolina	FWD	1389	60	82	09.92-01.98	*	
1.4 Si (F08, M08, F68, M68) (C 14 SE)		Gasolina	FWD	1389	60	82	03.92-01.98	*	
1.4 Si (F08, M08, F68, M68) (C 14 SE)		Gasolina	FWD	1389	60	82	03.92-01.98	*	
1.4 i 16V (F08, M08, F68, M68) (X 14 XE)		Gasolina	FWD	1389	66	90	09.96-02.98	*	
1.4 i 16V (F08, M08, F68, M68) (X 14 XE)		Gasolina	FWD	1389	66	90	09.96-02.98	*	
1.6 i (F08, M08, F68, M68) (X 16 SZ)		Gasolina	FWD	1598	52	71	05.93-07.96	*	
1.6 i (F08, M08, F68, M68) (X 16 SZ)		Gasolina	FWD	1598	52	71	05.93-07.96	*	
1.6 (F08, M08, F68, M68) (16 LZ2)		Gasolina	FWD	1598	55	75	09.95-01.98	*	
1.6 (F08, M08, F68, M68) (16 LZ2)		Gasolina	FWD	1598	55	75	09.95-01.98	*	
1.6 (F08, M08, F68, M68) (16 NZR)		Gasolina	FWD	1598	55	75	09.95-01.98	*	

LISTA DE APLICACIONES - BUYERS GUIDE

1.6 (F08, M08, F68, M68) (16 NZR)	Gasolina	FWD	1598	55	75	09.95-01.98	*	
1.6 i (F08, M08, F68, M68) (C 16 NZ)	Gasolina	FWD	1598	55	75	09.91-01.98	*	
1.6 i (F08, M08, F68, M68) (C 16 NZ)	Gasolina	FWD	1598	55	75	09.91-01.98	*	
1.6 i (F08, M08, F68, M68) (X 16 SZR)	Gasolina	FWD	1598	55	75	09.91-01.98	*	
1.6 i (F08, M08, F68, M68) (X 16 SZR)	Gasolina	FWD	1598	55	75	09.91-01.98	*	
ASTRA F (T92) 10.91-01.99							[CAMBIADO]:Furgón/Break (Compact car-C Segment)	
1.4 i (F70) (C 14 NZ)	Gasolina	FWD	1389	44	60	10.91-01.99	*	
1.4 i (F70) (C 14 NZ)	Gasolina	FWD	1389	44	60	10.91-01.99	*	
1.6 i (F70) (X 16 SZ)	Gasolina	FWD	1598	52	71	02.93-07.96	*	
1.6 i (F70) (X 16 SZ)	Gasolina	FWD	1598	52	71	02.93-07.96	*	
1.6 i (F70) (C 16 NZ)	Gasolina	FWD	1598	55	75	10.91-02.98	*	
1.6 i (F70) (C 16 NZ)	Gasolina	FWD	1598	55	75	10.91-02.98	*	
1.6 i (F70) (X 16 SZR)	Gasolina	FWD	1598	55	75	10.91-02.98	*	
1.6 i (F70) (X 16 SZR)	Gasolina	FWD	1598	55	75	10.91-02.98	*	
ASTRA F (T92) 03.93-03.01							Cabrío (Compact car-C Segment)	
1.4 Si (C 14 SE)	Gasolina	FWD	1389	60	82	05.93-03.01	*	
1.4 Si (C 14 SE)	Gasolina	FWD	1389	60	82	05.93-03.01	*	
1.4 i 16V (X 14 XE)	Gasolina	FWD	1389	66	90	01.96-03.01	*	
1.4 i 16V (X 14 XE)	Gasolina	FWD	1389	66	90	01.96-03.01	*	
ASTRA F (T92) 09.91-01.01							Sedán (Compact car-C Segment)	
1.4 i (F19, M19) (C 14 NZ)	Gasolina	FWD	1389	44	60	09.91-09.98	*	
1.4 i (F19, M19) (C 14 NZ)	Gasolina	FWD	1389	44	60	09.91-09.98	*	
1.4 i (F19, M19) (X 14 NZ)	Gasolina	FWD	1389	44	60	09.91-09.98	*	
1.4 i (F19, M19) (X 14 NZ)	Gasolina	FWD	1389	44	60	09.91-09.98	*	
1.4 (F19, M19) (14 NV)	Gasolina	FWD	1389	55	75	09.91-09.93	*	
1.4 (F19, M19) (14 NV)	Gasolina	FWD	1389	55	75	09.91-09.93	*	
1.4 (F19, M19) (14 SE)	Gasolina	FWD	1389	60	82	09.92-09.98	*	
1.4 (F19, M19) (14 SE)	Gasolina	FWD	1389	60	82	09.92-09.98	*	
1.4 Si (F19, M19) (C 14 SE)	Gasolina	FWD	1389	60	82	03.92-09.98	*	
1.4 Si (F19, M19) (C 14 SE)	Gasolina	FWD	1389	60	82	03.92-09.98	*	
1.4 i 16V (F19, M19) (X 14 XE)	Gasolina	FWD	1389	66	90	02.96-09.98	*	
1.4 i 16V (F19, M19) (X 14 XE)	Gasolina	FWD	1389	66	90	02.96-09.98	*	
1.6 i (F19, M19) (X 16 SZ)	Gasolina	FWD	1598	52	71	05.93-07.96	*	
1.6 i (F19, M19) (X 16 SZ)	Gasolina	FWD	1598	52	71	05.93-07.96	*	
1.6 (F19, M19) (16 LZ2)	Gasolina	FWD	1598	55	75	09.95-09.98	*	
1.6 (F19, M19) (16 LZ2)	Gasolina	FWD	1598	55	75	09.95-09.98	*	
1.6 (F19, M19) (16 NZR)	Gasolina	FWD	1598	55	75	09.95-09.98	*	
1.6 (F19, M19) (16 NZR)	Gasolina	FWD	1598	55	75	09.95-09.98	*	
1.6 i (F19, M19) (C 16 NZ)	Gasolina	FWD	1598	55	75	03.92-09.98	*	
1.6 i (F19, M19) (C 16 NZ)	Gasolina	FWD	1598	55	75	03.92-09.98	*	
1.6 i (F19, M19) (X 16 SZR)	Gasolina	FWD	1598	55	75	03.92-09.98	*	
1.6 i (F19, M19) (X 16 SZR)	Gasolina	FWD	1598	55	75	03.92-09.98	*	
ASTRA F CLASSIC (T92) 01.98-01.05							[CAMBIADO]:Break (Compact car-C Segment)	
1.4 i (F35, M35) (X 14 NZ)	Gasolina	FWD	1389	44	60	01.98-01.05	*	
1.4 i (F35, M35) (X 14 NZ)	Gasolina	FWD	1389	44	60	01.98-01.05	*	
ASTRA F CLASSIC (T92) 01.98-08.02							[CAMBIADO]:Fastback (Compact car-C Segment)	
1.4 i (M08, M68, F08, F68) (X 14 NZ)	Gasolina	FWD	1389	44	60	01.98-08.02	*	
1.4 i (M08, M68, F08, F68) (X 14 NZ)	Gasolina	FWD	1389	44	60	01.98-08.02	*	

LISTA DE APLICACIONES - BUYERS GUIDE

ASTRA F CLASSIC (T92) 01.98-08.02					Sedán (Compact car-C Segment)			
1.4 i (F19, M19) (X 14 NZ)	Gasolina	FWD	1389	44	60	01.98-08.02	*	
1.4 i (F19, M19) (X 14 NZ)	Gasolina	FWD	1389	44	60	01.98-08.02	*	
CORSA A (S83) 09.82-03.93					[CAMBIADO]:Fastback (Supermini car-B Segment)			
1.0 (F08, M08, F68, M68) (10 S)	Gasolina	FWD	993	33	45	09.82-03.93	*	
1.0 (F08, M08, F68, M68) (10 S)	Gasolina	FWD	993	33	45	09.82-03.93	*	
1.6 GSI (F08, M08, M68, F68) (C 16 NZ)	Gasolina	FWD	1598	55	75	08.88-09.92	*	
1.6 GSI (F08, M08, M68, F68) (C 16 NZ)	Gasolina	FWD	1598	55	75	08.88-09.92	*	
1.5 D (F08, M08, F68, M68) (15 D (4EC1))	Diesel	FWD	1488	37	50	09.87-03.93	*	
1.5 D (F08, M08, F68, M68) (15 D (4EC1))	Diesel	FWD	1488	37	50	09.87-03.93	*	
1.5 TD (F08, M08, F68, M68) (15 DT (T4EC1))	Diesel	FWD	1488	49	67	03.88-03.93	*	
1.5 TD (F08, M08, F68, M68) (15 DT (T4EC1))	Diesel	FWD	1488	49	67	03.88-03.93	*	
CORSA A (S83) 02.86-09.94					Furgón/hatchback (LCVs-N1 Segment)			
1.5 D (F08, W5L) (15 D (4EC1))	Diesel	FWD	1488	37	50	06.87-04.89	*	
1.5 D (F08, W5L) (15 D (4EC1))	Diesel	FWD	1488	37	50	06.87-04.89	*	
CORSA A (S83) 09.82-03.93					Sedán (Supermini car-B Segment)			
1.0 (F11, M11, F19, M19) (10 S)	Gasolina	FWD	993	33	45	09.82-09.92	*	
1.0 (F11, M11, F19, M19) (10 S)	Gasolina	FWD	993	33	45	09.82-09.92	*	
1.2 i (F11, M11, F19, M19) (C 12 NZ)	Gasolina	FWD	1195	33	45	09.89-03.93	*	
1.2 i (F11, M11, F19, M19) (C 12 NZ)	Gasolina	FWD	1195	33	45	09.89-03.93	*	
1.2 S (F11, M11, M19, F19) (12 ST)	Gasolina	FWD	1196	40	55	09.82-03.93	*	
1.2 S (F11, M11, M19, F19) (12 ST)	Gasolina	FWD	1196	40	55	09.82-03.93	*	
1.5 D (F11, M11, F19, M19) (15 D (4EC1))	Diesel	FWD	1488	37	50	10.87-11.92	*	
1.5 D (F11, M11, F19, M19) (15 D (4EC1))	Diesel	FWD	1488	37	50	10.87-11.92	*	
1.5 TD (F11, M11, F19, M19) (15 DT (T4EC1))	Diesel	FWD	1488	49	67	10.87-03.93	*	
1.5 TD (F11, M11, F19, M19) (15 DT (T4EC1))	Diesel	FWD	1488	49	67	10.87-03.93	*	
CORSA B (S93) 08.94-12.01					Furgón/hatchback (LCVs-N1 Segment)			
1.4 i (F08, W5L) (C 14 NZ)	Gasolina	FWD	1389	44	60	08.99-09.00	*	
1.4 i (F08, W5L) (C 14 NZ)	Gasolina	FWD	1389	44	60	08.99-09.00	*	
1.4 i (F08, W5L) (X 14 SZ)	Gasolina	FWD	1389	44	60	08.99-09.00	*	
1.4 i (F08, W5L) (X 14 SZ)	Gasolina	FWD	1389	44	60	08.99-09.00	*	
1.7 D (F08, W5L) (17 D (4EE1))	Diesel	FWD	1686	44	60	08.99-09.00	*	
1.7 D (F08, W5L) (17 D (4EE1))	Diesel	FWD	1686	44	60	08.99-09.00	*	
1.7 D (F08, W5L) (X 17 D (4EE1))	Diesel	FWD	1686	44	60	08.99-09.00	*	
1.7 D (F08, W5L) (X 17 D (4EE1))	Diesel	FWD	1686	44	60	08.99-09.00	*	
CORSA B / VITA B (S93) 03.93-10.09					[CAMBIADO]:Fastback (Supermini car-B Segment)			
1.0 i 12V (F08, F68, M68) (X 10 XE)	Gasolina	FWD	973	40	54	11.96-09.00	*	
1.0 i 12V (F08, F68, M68) (X 10 XE)	Gasolina	FWD	973	40	54	11.96-09.00	*	
1.2 i (F08, F68, M68) (C 12 NZ)	Gasolina	FWD	1195	33	45	03.93-09.00	*	
1.2 i (F08, F68, M68) (C 12 NZ)	Gasolina	FWD	1195	33	45	03.93-09.00	*	
1.2 i (F08, F68, M68) (X 12 SZ)	Gasolina	FWD	1195	33	45	03.93-09.00	*	
1.2 i (F08, F68, M68) (X 12 SZ)	Gasolina	FWD	1195	33	45	03.93-09.00	*	
1.2 i (F08, F68, M68) (12 NZ)	Gasolina	FWD	1195	33	45	03.93-09.00	*	
1.2 i (F08, F68, M68) (12 NZ)	Gasolina	FWD	1195	33	45	03.93-09.00	*	
1.2 i 16V (F08, F68, M68) (X 12 XE)	Gasolina	FWD	1199	48	65	03.98-09.00	*	
1.2 i 16V (F08, F68, M68) (X 12 XE)	Gasolina	FWD	1199	48	65	03.98-09.00	*	
1.4 i (F08, F68, M68) (C 14 NZ)	Gasolina	FWD	1389	40	54	03.93-09.00	*	
1.4 i (F08, F68, M68) (C 14 NZ)	Gasolina	FWD	1389	40	54	03.93-09.00	*	

LISTA DE APLICACIONES - BUYERS GUIDE

1.4 i (F08, F68, M68) (X 14 SZ)	Gasolina	FWD	1389	40	54	03.93-09.00	*
1.4 i (F08, F68, M68) (X 14 SZ)	Gasolina	FWD	1389	40	54	03.93-09.00	*
1.4 i (F08, F68, M68) (C 14 NZ)	Gasolina	FWD	1389	44	60	03.93-09.00	*
1.4 i (F08, F68, M68) (C 14 NZ)	Gasolina	FWD	1389	44	60	03.93-09.00	*
1.4 i (F08, F68, M68) (X 14 SZ)	Gasolina	FWD	1389	44	60	03.93-09.00	*
1.4 i (F08, F68, M68) (X 14 SZ)	Gasolina	FWD	1389	44	60	03.93-09.00	*
1.4 (F08, F68, M68) (C 14 SE)	Gasolina	FWD	1389	54	73	04.93-08.94	*
1.4 (F08, F68, M68) (C 14 SE)	Gasolina	FWD	1389	54	73	04.93-08.94	*
1.5 D (F08, F68, M68) (15 D)	Diesel	FWD	1488	37	50	03.93-09.00	*
1.5 D (F08, F68, M68) (15 D)	Diesel	FWD	1488	37	50	03.93-09.00	*
1.5 TD (F08, F68, M68) (15 TD)	Diesel	FWD	1488	49	67	03.93-09.00	*
1.5 TD (F08, F68, M68) (15 TD)	Diesel	FWD	1488	49	67	03.93-09.00	*
1.5 TD (F08, F68, M68) (X 15 TD)	Diesel	FWD	1488	49	67	03.93-09.00	*
1.5 TD (F08, F68, M68) (X 15 TD)	Diesel	FWD	1488	49	67	03.93-09.00	*
1.7 D (F08, F68, M68) (17 D (4EE1))	Diesel	FWD	1686	44	60	02.96-09.00	*
1.7 D (F08, F68, M68) (17 D (4EE1))	Diesel	FWD	1686	44	60	02.96-09.00	*
1.7 D (F08, F68, M68) (X 17 D (4EE1))	Diesel	FWD	1686	44	60	02.96-09.00	*
1.7 D (F08, F68, M68) (X 17 D (4EE1))	Diesel	FWD	1686	44	60	02.96-09.00	*
TIGRA A (S93) 07.94-12.00						Coupé (Sports car-S Segment)	
1.4 16V (F07) (X 14 XE)	Gasolina	FWD	1389	66	90	07.94-12.00	*
1.4 16V (F07) (X 14 XE)	Gasolina	FWD	1389	66	90	07.94-12.00	*
VECTRA A (J89) 04.88-12.95						[CAMBIADO]:Fastback (Large family car-D Segment)	
1.4 S (F68, M68) (14 NV)	Gasolina	FWD	1389	55	75	04.88-06.92	*
1.4 S (F68, M68) (14 NV)	Gasolina	FWD	1389	55	75	04.88-06.92	*
1.6 S (16 SV)	Gasolina	FWD	1598	60	82	09.88-05.93	*
1.6 S (16 SV)	Gasolina	FWD	1598	60	82	09.88-05.93	*
1.6 (F68, M68) (E 16 NZ)	Gasolina	FWD	1598	65	88	08.88-06.94	*
1.6 (F68, M68) (E 16 NZ)	Gasolina	FWD	1598	65	88	08.88-06.94	*
1.8 i Cat (F68, M68) (C 18 NZ)	Gasolina	FWD	1796	66	90	03.90-11.95	*
1.8 i Cat (F68, M68) (C 18 NZ)	Gasolina	FWD	1796	66	90	03.90-11.95	*
1.7 D (F68, M68) (17 D)	Diesel	FWD	1699	42	57	09.88-09.92	*
1.7 D (F68, M68) (17 D)	Diesel	FWD	1699	42	57	09.88-09.92	*
VECTRA A (J89) 08.88-12.95						Sedán (Large family car-D Segment)	
1.4 S (F19, M19) (14 NV)	Gasolina	FWD	1389	55	75	09.88-06.92	*
1.4 S (F19, M19) (14 NV)	Gasolina	FWD	1389	55	75	09.88-06.92	*
1.6 (F19, M19) (16 SV)	Gasolina	FWD	1598	60	82	09.88-05.93	*
1.6 (F19, M19) (16 SV)	Gasolina	FWD	1598	60	82	09.88-05.93	*
1.7 D (F19, M19) (17 D)	Diesel	FWD	1699	42	57	10.88-09.92	*
1.7 D (F19, M19) (17 D)	Diesel	FWD	1699	42	57	10.88-09.92	*
VAUXHALL							
ASTRA Mk III (F) (T92) 03.91-12.98						[CAMBIADO]:Break (Compact car-C Segment)	
1.4 i (C 14 NZ)	Gasolina	FWD	1389	44	60	09.91-02.98	*
1.4 i (C 14 NZ)	Gasolina	FWD	1389	44	60	09.91-02.98	*
1.4 i (X 14 NZ)	Gasolina	FWD	1389	44	60	09.91-02.98	*
1.4 i (X 14 NZ)	Gasolina	FWD	1389	44	60	09.91-02.98	*
1.4 S	Gasolina	FWD	1389	55	75	09.91-02.98	*
1.4 S	Gasolina	FWD	1389	55	75	09.91-02.98	*
1.4 i (C 14 SE)	Gasolina	FWD	1389	60	82	03.91-02.98	*
1.4 i (C 14 SE)	Gasolina	FWD	1389	60	82	03.91-02.98	*

LISTA DE APLICACIONES - BUYERS GUIDE

1.6 i (X 16 SZ)		Gasolina	FWD	1598	52	71	07.94-02.98	*	
1.6 i (X 16 SZ)		Gasolina	FWD	1598	52	71	07.94-02.98	*	
1.6 i (C 16 NZ)		Gasolina	FWD	1598	55	75	09.91-12.98	*	
1.6 i (C 16 NZ)		Gasolina	FWD	1598	55	75	09.91-12.98	*	
1.6 i (E 16 NZ)		Gasolina	FWD	1598	55	75	09.91-12.98	*	
1.6 i (E 16 NZ)		Gasolina	FWD	1598	55	75	09.91-12.98	*	
1.6 i (X 16 SZR)		Gasolina	FWD	1598	55	75	09.91-12.98	*	
1.6 i (X 16 SZR)		Gasolina	FWD	1598	55	75	09.91-12.98	*	
1.6 Si (C 16 SE)		Gasolina	FWD	1598	74	100	03.91-12.94	*	
1.6 Si (C 16 SE)		Gasolina	FWD	1598	74	100	03.91-12.94	*	
ASTRA Mk III (F) (T92) 09.91-02.98							[CAMBIADO]:Fastback (Compact car-C Segment)		
1.4 i (C 14 NZ)		Gasolina	FWD	1389	44	60	09.91-02.98	*	
1.4 i (C 14 NZ)		Gasolina	FWD	1389	44	60	09.91-02.98	*	
1.4 i (X 14 NZ)		Gasolina	FWD	1389	44	60	09.91-02.98	*	
1.4 i (X 14 NZ)		Gasolina	FWD	1389	44	60	09.91-02.98	*	
1.4 S (14 NV)		Gasolina	FWD	1389	55	75	09.91-02.98	*	
1.4 S (14 NV)		Gasolina	FWD	1389	55	75	09.91-02.98	*	
1.4 i (C 14 SE)		Gasolina	FWD	1389	60	82	03.92-02.98	*	
1.4 i (C 14 SE)		Gasolina	FWD	1389	60	82	03.92-02.98	*	
1.6 i (X 16 SZ)		Gasolina	FWD	1598	52	71	02.93-12.96	*	
1.6 i (X 16 SZ)		Gasolina	FWD	1598	52	71	02.93-12.96	*	
1.6 i (16 NZR)		Gasolina	FWD	1598	55	75	09.91-02.98	*	
1.6 i (16 NZR)		Gasolina	FWD	1598	55	75	09.91-02.98	*	
1.6 i (C 16 NZ)		Gasolina	FWD	1598	55	75	09.91-02.98	*	
1.6 i (C 16 NZ)		Gasolina	FWD	1598	55	75	09.91-02.98	*	
1.6 i (E 16 NZ)		Gasolina	FWD	1598	55	75	09.91-02.98	*	
1.6 i (E 16 NZ)		Gasolina	FWD	1598	55	75	09.91-02.98	*	
1.6 i (X 16 SZR)		Gasolina	FWD	1598	55	75	09.91-02.98	*	
1.6 i (X 16 SZR)		Gasolina	FWD	1598	55	75	09.91-02.98	*	
1.6 i (C 16 SE)		Gasolina	FWD	1598	74	100	03.92-02.98	*	
1.6 i (C 16 SE)		Gasolina	FWD	1598	74	100	03.92-02.98	*	
ASTRA Mk III (F) (T92) 09.91-03.01							Cabrio (Compact car-C Segment)		
1.4 i		Gasolina	FWD	1389	60	82	05.93-03.01	*	
1.4 i		Gasolina	FWD	1389	60	82	05.93-03.01	*	
1.6 i (X 16 SZ)		Gasolina	FWD	1598	52	71	03.93-08.96	*	
1.6 i (X 16 SZ)		Gasolina	FWD	1598	52	71	03.93-08.96	*	
1.6 i (X 16 SZR)		Gasolina	FWD	1598	55	75	01.96-03.01	*	
1.6 i (X 16 SZR)		Gasolina	FWD	1598	55	75	01.96-03.01	*	
ASTRA Mk III (F) (T92) 09.91-09.98							Sedán (Compact car-C Segment)		
1.4 i (C 14 NZ)		Gasolina	FWD	1389	44	60	04.92-09.98	*	
1.4 i (C 14 NZ)		Gasolina	FWD	1389	44	60	04.92-09.98	*	
1.4 i (C 14 SE)		Gasolina	FWD	1389	60	82	04.92-09.98	*	
1.4 i (C 14 SE)		Gasolina	FWD	1389	60	82	04.92-09.98	*	
1.6 i (X 16 SZ)		Gasolina	FWD	1598	52	71	08.94-07.96	*	
1.6 i (X 16 SZ)		Gasolina	FWD	1598	52	71	08.94-07.96	*	
1.6 i (C 16 NZ)		Gasolina	FWD	1598	55	75	03.92-09.98	*	
1.6 i (C 16 NZ)		Gasolina	FWD	1598	55	75	03.92-09.98	*	
1.6 i (X 16 SZR)		Gasolina	FWD	1598	55	75	03.92-09.98	*	
1.6 i (X 16 SZR)		Gasolina	FWD	1598	55	75	03.92-09.98	*	
1.6 i (C 16 SE)		Gasolina	FWD	1598	74	100	05.92-12.94	*	

LISTA DE APLICACIONES - BUYERS GUIDE

1.6 i (C 16 SE)	Gasolina	FWD	1598	74	100	05.92-12.94	*
ASTRAVAN Mk III (F) (T92) 01.91-08.98				[CAMBIADO]:Furgón/Break (Compact car-C Segment)			
1.4 i (F70) (C 14 NZ)	Gasolina	FWD	1389	44	60	09.91-08.95	*
1.4 i (F70) (C 14 NZ)	Gasolina	FWD	1389	44	60	09.91-08.95	*
CAVALIER Mk III (J89) 08.88-11.95				Sedán (Large family car-D Segment)			
1.4 S (14 NV)	Gasolina	FWD	1389	55	75	09.88-11.95	*
1.4 S (14 NV)	Gasolina	FWD	1389	55	75	09.88-11.95	*
1.6 i (X 16 SZ)	Gasolina	FWD	1598	52	71	09.93-11.95	*
1.6 i (X 16 SZ)	Gasolina	FWD	1598	52	71	09.93-11.95	*
1.6 i (C 16 NZ)	Gasolina	FWD	1598	55	75	09.88-11.95	*
1.6 i (C 16 NZ)	Gasolina	FWD	1598	55	75	09.88-11.95	*
1.6 i (E 16 NZ)	Gasolina	FWD	1598	55	75	09.88-11.95	*
1.6 i (E 16 NZ)	Gasolina	FWD	1598	55	75	09.88-11.95	*
1.6 (16 SV)	Gasolina	FWD	1598	60	82	09.88-05.93	*
1.6 (16 SV)	Gasolina	FWD	1598	60	82	09.88-05.93	*
1.7 TD (17 TD)	Diesel	FWD	1686	60	82	09.88-11.95	*
1.7 TD (17 TD)	Diesel	FWD	1686	60	82	09.88-11.95	*
1.7 D (17 D)	Diesel	FWD	1699	42	57	09.88-09.92	*
1.7 D (17 D)	Diesel	FWD	1699	42	57	09.88-09.92	*
1.7 D (17 DR)	Diesel	FWD	1699	44	60	07.92-11.95	*
1.7 D (17 DR)	Diesel	FWD	1699	44	60	07.92-11.95	*
CAVALIER Mk III CC (J89) 09.88-11.95				[CAMBIADO]:Fastback (Large family car-D Segment)			
1.4 S (14 NV)	Gasolina	FWD	1389	55	75	09.88-11.95	*
1.4 S (14 NV)	Gasolina	FWD	1389	55	75	09.88-11.95	*
1.6 i (X 16 SZ)	Gasolina	FWD	1598	52	71	09.93-11.95	*
1.6 i (X 16 SZ)	Gasolina	FWD	1598	52	71	09.93-11.95	*
1.6 i (C 16 NZ)	Gasolina	FWD	1598	55	75	09.88-11.95	*
1.6 i (C 16 NZ)	Gasolina	FWD	1598	55	75	09.88-11.95	*
1.6 i (E 16 NZ)	Gasolina	FWD	1598	55	75	09.88-11.95	*
1.6 i (E 16 NZ)	Gasolina	FWD	1598	55	75	09.88-11.95	*
1.6 (16 SV)	Gasolina	FWD	1598	60	82	09.88-05.93	*
1.6 (16 SV)	Gasolina	FWD	1598	60	82	09.88-05.93	*
1.8 i Cat (18 SV)	Gasolina	FWD	1796	66	90	03.90-11.95	*
1.8 i Cat (18 SV)	Gasolina	FWD	1796	66	90	03.90-11.95	*
1.8 i Cat (C 18 NZ)	Gasolina	FWD	1796	66	90	03.90-11.95	*
1.8 i Cat (C 18 NZ)	Gasolina	FWD	1796	66	90	03.90-11.95	*
1.7 D (17 D)	Diesel	FWD	1699	42	57	09.88-09.92	*
1.7 D (17 D)	Diesel	FWD	1699	42	57	09.88-09.92	*
CORSA Mk I (B) (S93) 12.92-09.00				[CAMBIADO]:Fastback (Supermini car-B Segment)			
1.0 i 12V (X 10 XE)	Gasolina	FWD	973	40	54	11.96-09.00	*
1.0 i 12V (X 10 XE)	Gasolina	FWD	973	40	54	11.96-09.00	*
1.2 i (C 12 NZ)	Gasolina	FWD	1195	33	45	03.93-09.00	*
1.2 i (C 12 NZ)	Gasolina	FWD	1195	33	45	03.93-09.00	*
1.2 i (X 12 SZ)	Gasolina	FWD	1195	33	45	03.93-09.00	*
1.2 i (X 12 SZ)	Gasolina	FWD	1195	33	45	03.93-09.00	*
1.2 i 16V (X 12 XE)	Gasolina	FWD	1199	48	65	03.98-09.00	*
1.2 i 16V (X 12 XE)	Gasolina	FWD	1199	48	65	03.98-09.00	*
1.4 i (C 14 NZ)	Gasolina	FWD	1389	44	60	03.93-09.00	*
1.4 i (C 14 NZ)	Gasolina	FWD	1389	44	60	03.93-09.00	*

LISTA DE APLICACIONES - BUYERS GUIDE

1.4 i (X 14 SZ)		Gasolina	FWD	1389	44	60	03.93-09.00	*	
1.4 i (X 14 SZ)		Gasolina	FWD	1389	44	60	03.93-09.00	*	
1.4 i S (C 14 SE)		Gasolina	FWD	1389	60	82	03.93-09.00	*	
1.4 i S (C 14 SE)		Gasolina	FWD	1389	60	82	03.93-09.00	*	
1.4 i 16V (X 14 XE)		Gasolina	FWD	1389	66	90	09.94-09.00	*	
1.4 i 16V (X 14 XE)		Gasolina	FWD	1389	66	90	09.94-09.00	*	
1.6 i 16V (X 16 XE)		Gasolina	FWD	1598	78	106	09.94-09.00	*	
1.6 i 16V (X 16 XE)		Gasolina	FWD	1598	78	106	09.94-09.00	*	
1.5 D (15 D)		Diesel	FWD	1488	37	50	12.92-12.96	*	
1.5 D (15 D)		Diesel	FWD	1488	37	50	12.92-12.96	*	
1.5 TD (X 15 TD)		Diesel	FWD	1488	49	67	03.93-10.96	*	
1.5 TD (X 15 TD)		Diesel	FWD	1488	49	67	03.93-10.96	*	
1.7 D (X 17 D)		Diesel	FWD	1686	44	60	02.96-09.00	*	
1.7 D (X 17 D)		Diesel	FWD	1686	44	60	02.96-09.00	*	
CORSAVAN Mk I (B) (S93) 01.94-09.00							Furgón/hatchback (LCVs-N1 Segment)		
1.4 i (C 14 NZ)		Gasolina	FWD	1389	44	60	01.94-09.00	*	
1.4 i (C 14 NZ)		Gasolina	FWD	1389	44	60	01.94-09.00	*	
1.4 i (X 14 SZ)		Gasolina	FWD	1389	44	60	01.94-09.00	*	
1.4 i (X 14 SZ)		Gasolina	FWD	1389	44	60	01.94-09.00	*	
1.7 D (X 17 D)		Diesel	FWD	1686	44	60	01.94-09.00	*	
1.7 D (X 17 D)		Diesel	FWD	1686	44	60	01.94-09.00	*	
NOVA (S83) 09.82-12.93							Sedán (Supermini car-B Segment)		
1.5 TD (15 DT (T4EC1))		Diesel	FWD	1488	49	67	01.90-02.93	*	
1.5 TD (15 DT (T4EC1))		Diesel	FWD	1488	49	67	01.90-02.93	*	
NOVA CC (S83) 05.83-03.93							[CAMBIADO]:Fastback (Supermini car-B Segment)		
1.0 (10 S)		Gasolina	FWD	993	33	45	05.83-03.93	*	
1.0 (10 S)		Gasolina	FWD	993	33	45	05.83-03.93	*	
1.5 D (15 D)		Diesel	FWD	1488	37	50	09.87-03.93	*	
1.5 D (15 D)		Diesel	FWD	1488	37	50	09.87-03.93	*	
1.5 TD (15 DT (T4EC1))		Diesel	FWD	1488	49	67	01.90-03.93	*	
1.5 TD (15 DT (T4EC1))		Diesel	FWD	1488	49	67	01.90-03.93	*	
NOVAVAN (S83) 01.90-10.94							Furgón/hatchback (LCVs-N1 Segment)		
1.5 D (15 D)		Diesel	FWD	1488	37	50	01.91-10.94	*	
1.5 D (15 D)		Diesel	FWD	1488	37	50	01.91-10.94	*	