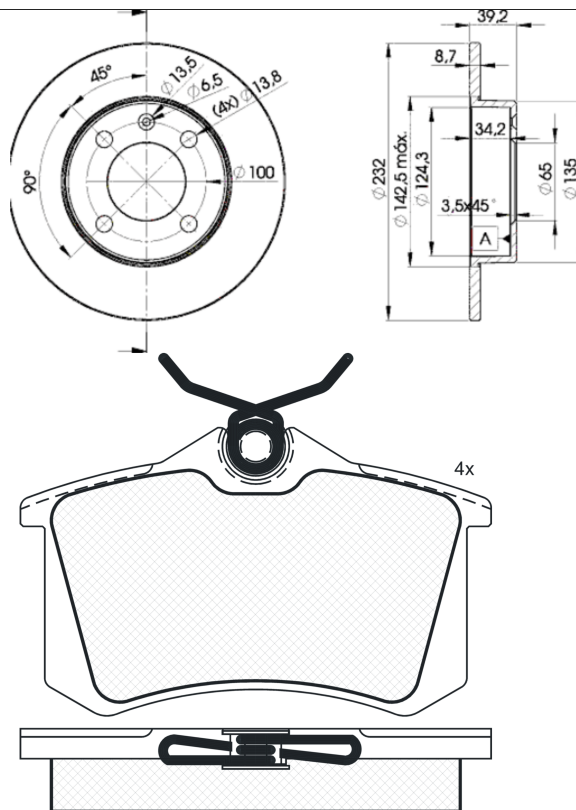


# LISTA DE APLICACIONES - BUYERS GUIDE

## 3R07895608

Weight: 6.870



## 3R07895608



Lucas - Girling

87.1x52.9x15.2

Ø232x8.7x39.5

**WVA**

20961

Sin Filas



Trac.	CC	Kw	CV					
								Front / Rear

### SEAT

#### CORDOBA (6K1, 6K2) 02.93-12.02

#### Sedán (Supermini car-B Segment)

1.8 T 20V Cupra (AQX)	Gasolina	FWD	1781	115	156	07.00-10.02		*
1.8 T 20V Cupra (AQX)	Gasolina	FWD	1781	115	156	07.00-10.02		*
1.8 T 20V Cupra (AYP)	Gasolina	FWD	1781	115	156	07.00-10.02		*
1.8 T 20V Cupra (AYP)	Gasolina	FWD	1781	115	156	07.00-10.02		*

#### CORDOBA II (6K5) 08.00-12.02

#### [CAMBIADO]:Furgón/Break (Supermini car-B Segment)

1.9 TDI	Diesel	FWD	1896	81	110	08.00-12.02		*
1.9 TDI	Diesel	FWD	1896	81	110	08.00-12.02		*

#### CORDOBA II (6K2) 06.99-10.02

#### Sedán (Supermini car-B Segment)

1.9 TDI	Diesel	FWD	1896	66	90	06.99-10.02		*
1.9 TDI	Diesel	FWD	1896	66	90	06.99-10.02		*
1.9 TDI	Diesel	FWD	1896	81	110	06.99-10.02		*
1.9 TDI	Diesel	FWD	1896	81	110	06.99-10.02		*

#### CORDOBA II Vario (6K5) 06.99-12.02

#### [CAMBIADO]:Break (Supermini car-B Segment)

1.9 TDI	Diesel	FWD	1896	81	110	06.99-12.02		*
1.9 TDI	Diesel	FWD	1896	81	110	06.99-12.02		*

#### CORDOBA Vario (6K5) 07.96-12.02

#### [CAMBIADO]:Break (Supermini car-B Segment)

1.9 TDI (AFN)	Diesel	FWD	1896	81	110	07.97-12.02		*
1.9 TDI (AFN)	Diesel	FWD	1896	81	110	07.97-12.02		*
1.9 TDI (ASV)	Diesel	FWD	1896	81	110	07.97-12.02		*
1.9 TDI (ASV)	Diesel	FWD	1896	81	110	07.97-12.02		*

# LISTA DE APLICACIONES - BUYERS GUIDE

<b>IBIZA II (6K1) 03.93-05.02</b>					<b>[CAMBIADO]:Fastback (Supermini car-B Segment)</b>			
1.8 T 20V Cupra (AQX)		Gasolina	FWD	1781	115	156	07.00-02.02	*
1.8 T 20V Cupra (AQX)		Gasolina	FWD	1781	115	156	07.00-02.02	*
1.8 T 20V Cupra (AYP)		Gasolina	FWD	1781	115	156	07.00-02.02	*
1.8 T 20V Cupra (AYP)		Gasolina	FWD	1781	115	156	07.00-02.02	*
1.9 TDI		Diesel	RWD	1896	81	110	08.99-02.02	*
1.9 TDI		Diesel	RWD	1896	81	110	08.99-02.02	*